

Dell™ OptiPlex™ 745

Quick Reference Guide

Models DCTR, DCNE, DCSM, and DCCY

Notes, Notices, and Cautions



NOTE: A NOTE indicates important information that helps you make better use of your computer.



NOTICE: A NOTICE indicates potential damage to hardware or loss of data and tells you how to avoid the problem.



CAUTION: A CAUTION indicates a potential for property damage, personal injury, or death.

If you purchased a Dell™ n Series computer, any references in this document to Microsoft® Windows® operating systems are not applicable.

Information in this document is subject to change without notice.

© 2006 Dell Inc. All rights reserved.

Reproduction in any manner whatsoever without the written permission of Dell Inc. is strictly forbidden.

Trademarks used in this text: *Dell*, the *DELL* logo, *Inspiron*, *Dell Precision*, *Dimension*, *OptiPlex*, *Latitude*, *PowerEdge*, *PowerVault*, *PowerApp*, and *Dell OpenManage* are trademarks of Dell Inc.; *Intel*, *Pentium*, and *Celeron* are registered trademarks of Intel Corporation; *Microsoft* and *Windows* are registered trademarks of Microsoft Corporation.

Other trademarks and trade names may be used in this document to refer to either the entities claiming the marks and names or their products. Dell Inc. disclaims any proprietary interest in trademarks and trade names other than its own.

Models DCTR, DCNE, DCSM, and DCCY

August 2006

P/N FH898


Rev. A00

Contents


Finding Information	5
System Views	8
Mini Tower Computer — Front View	8
Mini Tower Computer — Back View	10
Mini Tower Computer — Back-Panel Connectors	11
Desktop Computer — Front View.	13
Desktop Computer — Back View.	14
Desktop Computer — Back-Panel Connectors	15
Small Form Factor Computer — Front View	17
Small Form Factor Computer — Back View	18
Small Form Factor Computer — Back-Panel Connectors	19
Ultra-Small Form Factor Computer — Front View	21
Ultra-Small Form Factor Computer — Side View.	22
Ultra-Small Form Factor Computer — Back View	23
Ultra-Small Form Factor Computer — Back-Panel Connectors	23
Removing the Computer Cover.	24
Before You Begin	25
Mini Tower Computer.	26
Desktop Computer	27
Small Form Factor Computer	28
Ultra-Small Form Factor Computer	30
Inside Your Computer	32
Mini Tower Computer.	32
Desktop Computer	35
Small Form Factor Computer	38
Ultra-Small Form Factor Computer	41
Setting Up Your Computer	43
Set Up Your Keyboard and Mouse	45
Set Up Your Monitor	45
Power Connections.	46
Solving Problems	46
Dell Diagnostics.	46
System Lights	49

Diagnostic Lights	50
Beep Codes	52
Resolving Software and Hardware Incompatibilities	53
Using Microsoft Windows XP System Restore	54
Reinstalling Microsoft Windows XP	55
Using the Drivers and Utilities CD	58
Drivers for Your Computer	58
Index	59

Finding Information

 **NOTE:** Some features or media may be optional and may not ship with your computer. Some features or media may not be available in certain countries.

 **NOTE:** Additional information may ship with your computer.

What Are You Looking For?	Find It Here
<ul style="list-style-type: none"> • A diagnostic program for my computer • Drivers for my computer • My computer documentation • My device documentation • Desktop System Software (DSS) 	<p>Drivers and Utilities CD (ResourceCD)</p> <p>NOTE: The <i>Drivers and Utilities</i> CD may be optional and may not ship with your computer.</p> <p>Documentation and drivers are already installed on your computer. You can use the CD to reinstall drivers (see "Using the Drivers and Utilities CD" on page 58), run the Dell Diagnostics (see "Dell Diagnostics" on page 46), or access your documentation.</p> <div style="display: flex; align-items: center; justify-content: center;">  <div style="margin-left: 20px;"> <p>Readme files may be included on your CD to provide last-minute updates about technical changes to your computer or advanced technical reference material for technicians or experienced users.</p> </div> </div> <p>NOTE: Drivers and documentation updates can be found at support.dell.com.</p>
<ul style="list-style-type: none"> • How to remove and replace parts • Specifications • How to configure system settings • How to troubleshoot and solve problems 	<p>Dell™ OptiPlex™ User's Guide</p> <p><i>Microsoft Windows XP Help and Support Center</i></p> <ol style="list-style-type: none"> 1 Click Start→ Help and Support→ Dell User and System Guides→ System Guides. 2 Click the <i>User's Guide</i> for your computer. <p>The <i>User's Guide</i> is also available on the optional <i>Drivers and Utilities</i> CD.</p>

What Are You Looking For?

- Warranty information
- Terms and Conditions (U.S. only)
- Safety instructions
- Regulatory information
- Ergonomics information
- End User License Agreement

Find It Here

Dell™ Product Information Guide



-
- How to reinstall my operating system

Operating System CD

NOTE: The *Operating System* CD may be optional and may not ship with your computer.

The operating system is already installed on your computer. To reinstall your operating system, use the *Operating System* CD (see "Reinstalling Microsoft Windows XP" on page 55).



After you reinstall your operating system, use the optional *Drivers and Utilities* CD (*ResourceCD*) to reinstall drivers for the devices that came with your computer. For more information, see

"Drivers and Utilities CD (*ResourceCD*)" on page 5.

Your operating system product key label is located on your computer (see "Service Tag and Microsoft® Windows® Product Key" on page 7).

NOTE: The color of your *Operating System* CD varies according to the operating system you ordered.

-
- How to use Windows XP
 - How to work with programs and files
 - How to personalize my desktop

Windows Help and Support Center

- 1 Click **Start** → **Help and Support**.
- 2 Type a word or phrase that describes your problem and click the arrow icon.
- 3 Click the topic that describes your problem.
- 4 Follow the instructions on the screen.

What Are You Looking For?

- Service Tag and Express Service Code
- Microsoft Windows Product Key Label
- Solutions — Troubleshooting hints and tips, articles from technicians, online courses, and frequently asked questions
- Community — Online discussion with other Dell customers
- Upgrades — Upgrade information for components, such as the memory, hard drive, and operating system
- Customer Care — Contact information, service call and order status, and warranty and repair information
- Service and support — Service call status, support history, service contract, and online discussions with support
- Reference — Computer documentation, details on my computer configuration, product specifications, and white papers
- Downloads — Certified drivers, patches, and software updates
- Desktop System Software (DSS)— If you reinstall the operating system on your computer, you should also reinstall the DSS utility. DSS automatically detects your computer and operating system and installs the updates appropriate for your configuration, providing critical updates for your operating system and support for Dell™ 3.5-inch USB floppy drives, Intel® processors, optical drives, and USB devices. DSS is necessary for correct operation of your Dell computer.

Find It Here

Service Tag and Microsoft® Windows® Product Key

These labels are located on your computer.

- Use the Service Tag to identify your computer when you use support.dell.com or contact support.



- Enter the Express Service Code to direct your call when contacting support.

Dell Support Website — support.dell.com

NOTE: Select your region or business segment to view the appropriate support site.

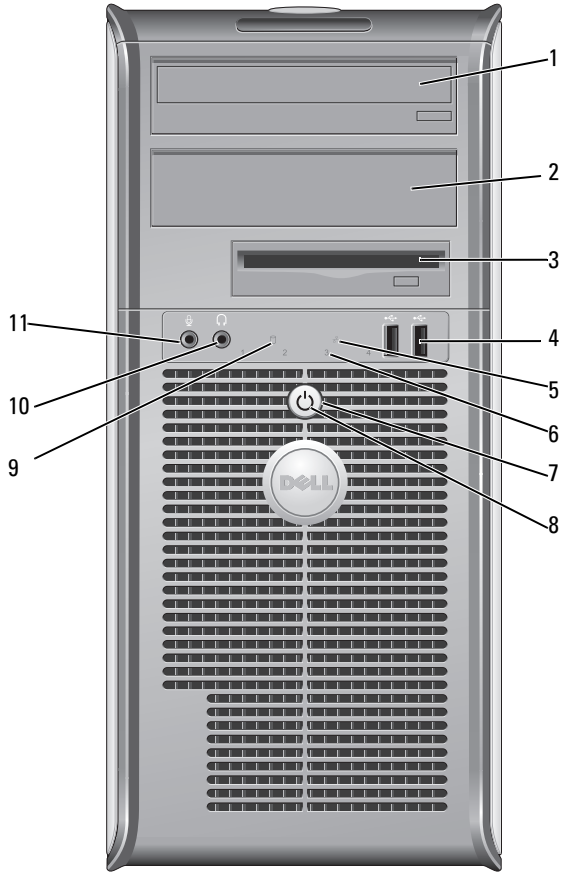
To download Desktop System Software:

- 1** Go to support.dell.com, select your region or business segment, then enter your Service Tag.
- 2** Select **Drivers & Downloads**, then click **Go**.
- 3** Click your operating system, and then search for the keyword *Desktop System Software*.

NOTE: The support.dell.com user interface may vary depending on your selections.


System Views


Mini Tower Computer — Front View



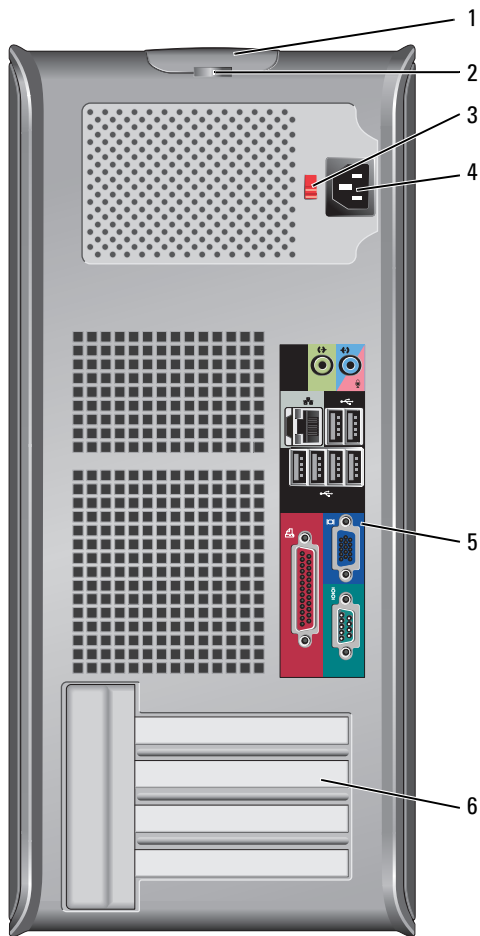
- | | | |
|----|---------------------------|--|
| 1 | 5.25-inch drive bay | Can contain an optical drive. Insert a CD or DVD (if supported) into this drive. |
| 2 | 5.25-inch drive bay | Can contain an optical drive. Insert a CD or DVD (if supported) into this drive. |
| 3 | 3.5-inch drive bay | Can contain an optional floppy drive or optional media card reader. |
| 4 | USB 2.0 connectors (2) | Use the front USB connectors for devices that you connect occasionally, such as joysticks or cameras, or for bootable USB devices (see your online <i>User's Guide</i> for more information on booting to a USB device).

It is recommended that you use the back USB connectors for devices that typically remain connected, such as printers and keyboards. |
| 5 | LAN indicator light | This light indicates that a LAN (local area network) connection is established. |
| 6 | diagnostic lights | Use the lights to help you troubleshoot a computer problem based on the diagnostic code. For more information, see "Diagnostic Lights" on page 50. |
| 7 | power button | Press this button to turn on the computer.

 NOTICE: To avoid losing data, do not turn off the computer by pressing the power button. Instead, perform an operating system shutdown. See "Before You Begin" on page 25 for more information.

 NOTICE: If your operating system has ACPI enabled, when you press the power button the computer will perform an operating system shutdown. |
| 8 | power light | The power light illuminates and blinks or remains solid to indicate different operating modes: <ul style="list-style-type: none"> • No light — The computer is turned off. • Steady green — The computer is in a normal operating state. • Blinking green — The computer is in a power-saving mode. • Blinking or solid amber — See your online <i>User's Guide</i>. <p>To exit from a power-saving mode, press the power button or use the keyboard or the mouse if it is configured as a wake device in the Windows Device Manager. For more information about sleep modes and exiting from a power-saving mode, see your online <i>User's Guide</i>.</p> <p>See "System Lights" on page 49 for a description of light codes that can help you troubleshoot problems with your computer.</p> |
| 9 | hard-drive activity light | This light flickers when the hard drive is being accessed. |
| 10 | headphone connector | Use the headphone connector to attach headphones and most kinds of speakers. |
| 11 | microphone connector | Use the microphone connector to attach a microphone. |

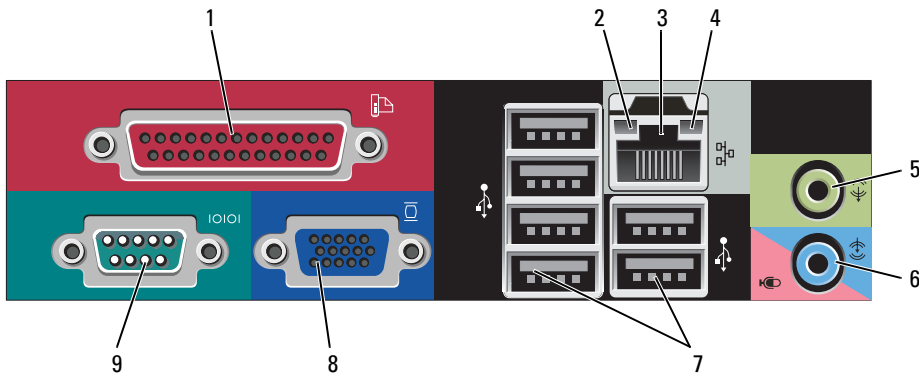
Mini Tower Computer — Back View



- 1 cover-release latch This latch allows you to open the computer cover.
- 2 padlock ring Insert a padlock to lock the computer cover.

- 3 voltage selection switch Your computer is equipped with a manual voltage-selection switch. To help avoid damaging a computer with a manual voltage-selection switch, set the switch for the voltage that most closely matches the AC power available in your location.
- ➡ NOTICE:** The voltage selection switch must be set to the 115-V position even though the AC power available in Japan is 100 V.
- Also, ensure that your monitor and attached devices are electrically rated to operate with the AC power available in your location.
- 4 power connector Insert the power cable.
- 5 back-panel connectors Plug serial, USB, and other devices into the appropriate connectors (see "Mini Tower Computer — Back-Panel Connectors" on page 11).
- 6 card slots Access connectors for any installed PCI and PCI Express cards.

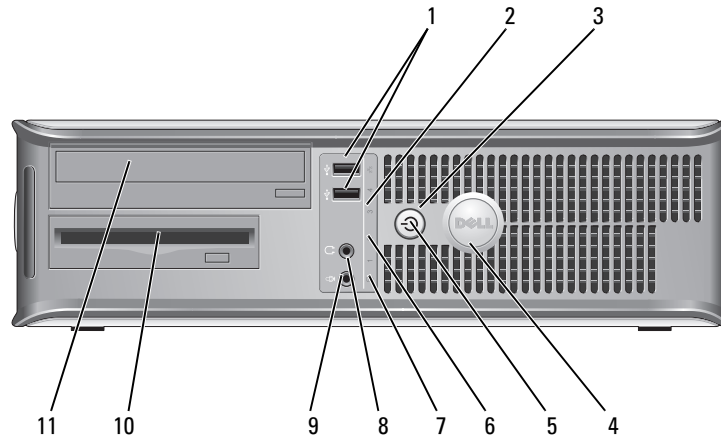
Mini Tower Computer — Back-Panel Connectors



- 1 parallel connector Connect a parallel device, such as a printer, to the parallel connector. If you have a USB printer, plug it into a USB connector.
- NOTE:** The integrated parallel connector is automatically disabled if the computer detects an installed card containing a parallel connector configured to the same address. For more information, see your online User's Guide.
- 2 link integrity light
- Green — A good connection exists between a 10-Mbps network and the computer.
 - Orange — A good connection exists between a 100-Mbps network and the computer.
 - Yellow — A good connection exists between a 1-Gbps (or 1000-Mbps) network and the computer.
 - Off — The computer is not detecting a physical connection to the network.

- | | | |
|---|------------------------------|---|
| 3 | network adapter connector | <p>To attach your computer to a network or broadband device, connect one end of a network cable to either a network jack or your network or broadband device. Connect the other end of the network cable to the network adapter connector on the back panel of your computer. A click indicates that the network cable has been securely attached.</p> <p>NOTE: Do not plug a telephone cable into the network connector.</p> <p>On computers with a network connector card, use the connector on the card.</p> <p>It is recommended that you use Category 5 wiring and connectors for your network. If you must use Category 3 wiring, force the network speed to 10 Mbps to ensure reliable operation.</p> |
| 4 | network activity light | Flashes a yellow light when the computer is transmitting or receiving network data. A high volume of network traffic may make this light appear to be in a steady "on" state. |
| 5 | line-out connector | Use the green line-out connector to attach most speakers with integrated amplifiers. |
| 6 | line-in/microphone connector | Use the blue and pink line-in/microphone connector to attach a record/playback device such as a cassette player, CD player, or VCR.; or a personal computer microphone for voice or musical input into a sound or telephony program. |
| 7 | USB 2.0 connectors (6) | Use the back USB connectors for devices that typically remain connected, such as printers and keyboards. |
| 8 | video connector | <p>Plug the cable from your VGA-compatible monitor into the blue connector.</p> <p>NOTE: If you purchased an optional graphics card, this connector will be covered by a cap. Connect your monitor to the connector on the graphics card. Do not remove the cap.</p> <p>NOTE: If you are using a graphics card that supports dual monitors, use the y-cable that came with your computer.</p> |
| 9 | serial connector | <p>Connect a serial device, such as a handheld device, to the serial port. The default designations are COM1 for serial connector 1 and COM2 for serial connector 2.</p> <p>For more information, see your online <i>User's Guide</i>.</p> |

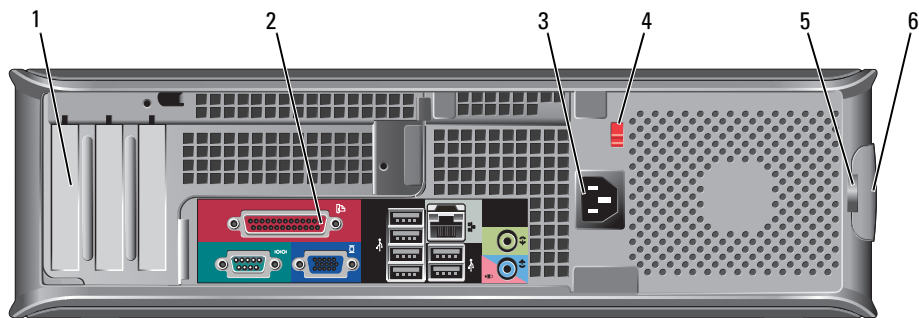
Desktop Computer — Front View



- 1 USB 2.0 connectors (2) Use the front USB connectors for devices that you connect occasionally, such as joysticks or cameras, or for bootable USB devices (see your online *User's Guide* for more information about booting to a USB device).
It is recommended that you use the back USB connectors for devices that typically remain connected, such as printers and keyboards.
- 2 LAN indicator light This light indicates that a LAN (local area network) connection is established.
- 3 power button Press this button to turn on the computer.
➡ NOTICE: To avoid losing data, do not turn off the computer by pressing the power button. Instead, perform an operating system shutdown. See "Before You Begin" on page 25 for more information.
➡ NOTICE: If your operating system has ACPI enabled, when you press the power button the computer will perform an operating system shutdown.
- 4 Dell badge This badge can be rotated to match the orientation of your computer. To rotate, place fingers around the outside of the badge, press firmly, and turn the badge. You can also rotate the badge using the slot provided near the bottom of the badge.

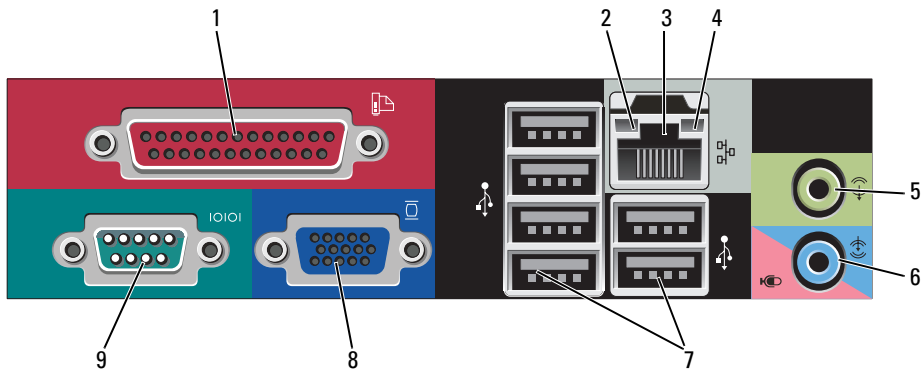
- | | | |
|----|---------------------------|--|
| 5 | power light | <p>The power light illuminates and blinks or remains solid to indicate different operating states:</p> <ul style="list-style-type: none"> • No light — The computer is turned off. • Steady green — The computer is in a normal operating state. • Blinking green — The computer is in a power-saving mode. • Blinking or solid amber — See your online <i>User's Guide</i>. <p>To exit from a power-saving mode, press the power button or use the keyboard or the mouse if it is configured as a wake device in the Windows Device Manager. For more information about sleep modes and exiting from a power-saving mode, see your online <i>User's Guide</i>.</p> <p>See "System Lights" on page 49 for a description of light codes that can help you troubleshoot problems with your computer.</p> |
| 6 | diagnostic lights | Use the lights to help you troubleshoot a computer problem based on the diagnostic code. For more information, see "Diagnostic Lights" on page 50. |
| 7 | hard-drive activity light | This light flickers when the hard drive is being accessed. |
| 8 | headphone connector | Use the headphone connector to attach headphones and most kinds of speakers. |
| 9 | microphone connector | Use the microphone connector to attach a microphone. |
| 10 | 3.5-inch drive bay | Can contain an optional floppy drive or optional Media Card Reader. |
| 11 | 5.25-inch drive bay | Can contain an optical drive. Insert a CD or DVD (if supported) into this drive. |

Desktop Computer — Back View



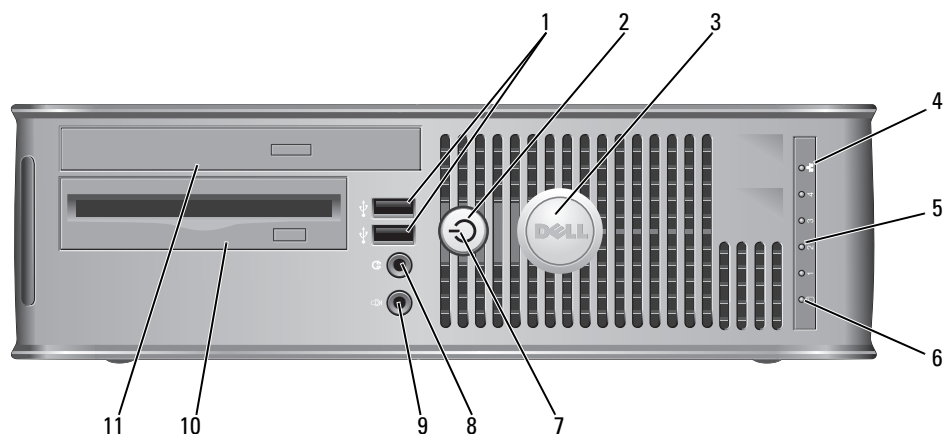
- | | | |
|---|--------------------------|---|
| 1 | card slots | Access connectors for any installed PCI and PCI Express cards. |
| 2 | back-panel connectors | Plug serial, USB, and other devices into the appropriate connectors (see "Desktop Computer — Back-Panel Connectors" on page 15). |
| 3 | power connector | Insert the power cable. |
| 4 | voltage selection switch | <p>Your computer is equipped with a manual voltage selection switch.</p> <p>To help avoid damaging a computer with a manual voltage selection switch, set the switch for the voltage that most closely matches the AC power available in your location.</p> <p>⬅ NOTICE: The voltage selection switch must be set to the 115-V position even though the AC power available in Japan is 100 V.</p> <p>Also, ensure that your monitor and attached devices are electrically rated to operate with the AC power available in your location.</p> |
| 5 | padlock ring | Insert a padlock to lock the computer cover. |
| 6 | cover-release latch | Allows you to open the computer cover. |

Desktop Computer — Back-Panel Connectors



- | | | |
|---|------------------------------|---|
| 1 | parallel connector | <p>Connect a parallel device, such as a printer, to the parallel connector. If you have a USB printer, plug it into a USB connector.</p> <p>NOTE: The integrated parallel connector is automatically disabled if the computer detects an installed card containing a parallel connector configured to the same address. For more information, see your online <i>User's Guide</i>.</p> |
| 2 | link integrity light | <ul style="list-style-type: none"> • Green — A good connection exists between a 10-Mbps network and the computer. • Orange — A good connection exists between a 100-Mbps network and the computer. • Yellow — A good connection exists between a 1-Gbps (or 1000-Mbps) network and the computer. • Off — The computer is not detecting a physical connection to the network. |
| 3 | network adapter connector | <p>To attach your computer to a network or broadband device, connect one end of a network cable to either a network jack or your network or broadband device. Connect the other end of the network cable to the network adapter connector on the back panel of your computer. A click indicates that the network cable has been securely attached.</p> <p>NOTE: Do not plug a telephone cable into the network connector.</p> <p>On computers with a network connector card, use the connector on the card.</p> <p>It is recommended that you use Category 5 wiring and connectors for your network. If you must use Category 3 wiring, force the network speed to 10 Mbps to ensure reliable operation.</p> |
| 4 | network activity light | Flashes a yellow light when the computer is transmitting or receiving network data. A high volume of network traffic may make this light appear to be in a steady "on" state. |
| 5 | line-out connector | Use the green line-out connector to attach most speakers with integrated amplifiers. |
| 6 | line-in/microphone connector | Use the blue and pink line-in/microphone connector to attach a record/playback device such as a cassette player, CD player, or VCR.; or a personal computer microphone for voice or musical input into a sound or telephony program. |
| 7 | USB 2.0 connectors (6) | Use the back USB connectors for devices that typically remain connected, such as printers and keyboards. |
| 8 | video connector | <p>Plug the cable from your VGA-compatible monitor into the blue connector.</p> <p>NOTE: If you purchased an optional graphics card, this connector will be covered by a cap. Connect your monitor to the connector on the graphics card. Do not remove the cap.</p> <p>NOTE: If you are using a graphics card that supports dual monitors, use the y-cable that came with your computer.</p> |
| 9 | serial connector | <p>Connect a serial device, such as a handheld device, to the serial port. The default designations are COM1 for serial connector 1 and COM2 for serial connector 2.</p> <p>For more information, see your online <i>User's Guide</i>.</p> |

Small Form Factor Computer — Front View



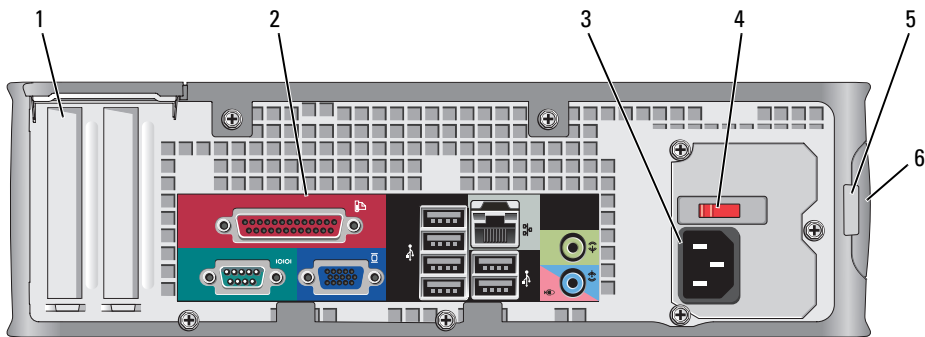
- | | | |
|---|---------------------------|---|
| 1 | USB 2.0 connectors (2) | Use the front USB connectors for devices that you connect occasionally, such as joysticks or cameras, or for bootable USB devices (see your online <i>User's Guide</i> for more information about booting to a USB device).

It is recommended that you use the back USB connectors for devices that typically remain connected, such as printers and keyboards. |
| 2 | power button | Press to turn on the computer.

<div style="margin-top: 10px;"> <p>➔ NOTICE: To avoid losing data, do not turn off the computer by pressing the power button. Instead, perform an operating system shutdown. See "Before You Begin" on page 25 for more information.</p> <p>➔ NOTICE: If your operating system has ACPI enabled, when you press the power button the computer will perform an operating system shutdown.</p> </div> |
| 3 | Dell badge | Can be rotated to match the orientation of your computer. To rotate, place fingers around the outside of the badge, press firmly, and turn the badge. You can also rotate the badge using the slot provided near the bottom of the badge. |
| 4 | LAN indicator light | Indicates that a LAN (local area network) connection is established. |
| 5 | diagnostic lights | Use the lights to help you troubleshoot a computer problem based on the diagnostic code. For more information, see "Diagnostic Lights" on page 50. |
| 6 | hard drive activity light | This light flickers when the hard drive is being accessed. |

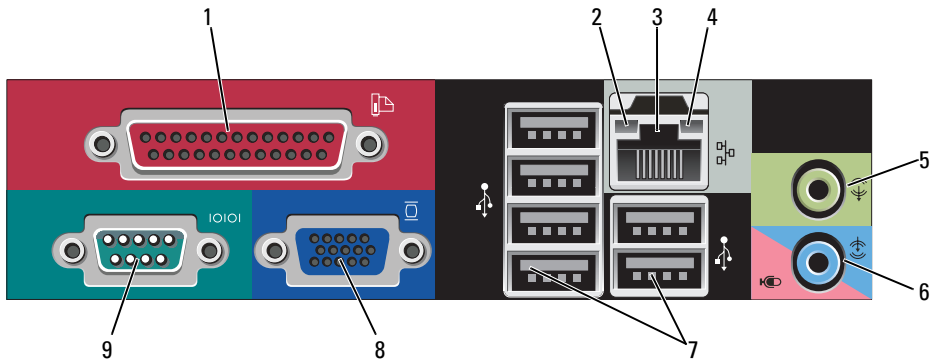
- | | | |
|----|----------------------|--|
| 7 | power light | <p>The power light illuminates and blinks or remains solid to indicate different operating states:</p> <ul style="list-style-type: none"> • No light — The computer is turned off. • Steady green — The computer is in a normal operating state. • Blinking green — The computer is in a power-saving mode. • Blinking or solid amber — See your online <i>User's Guide</i>. <p>To exit from a power-saving mode, press the power button or use the keyboard or the mouse if it is configured as a wake device in the Windows Device Manager. For more information about sleep modes and exiting from a power-saving mode, see your online <i>User's Guide</i>.</p> <p>See "System Lights" on page 49 for a description of light codes that can help you troubleshoot problems with your computer.</p> |
| 8 | headphone connector | Use the headphone connector to attach headphones and most kinds of speakers. |
| 9 | microphone connector | Use the microphone connector to attach a microphone. |
| 10 | 3.5-inch drive bay | Can contain an optional floppy drive or optional media card reader. |
| 11 | 5.25-inch drive bay | Can contain an optical drive. Insert a CD or DVD (if supported) into this drive. |

Small Form Factor Computer — Back View



- | | | |
|---|--------------------------|--|
| 1 | card slots | Access connectors for any installed PCI and PCI Express cards. |
| 2 | back-panel connectors | Plug serial, USB, and other devices into the appropriate connectors (see "Small Form Factor Computer — Back-Panel Connectors" on page 19). |
| 3 | power connector | Insert the power cable. |
| 4 | voltage selection switch | Your computer is equipped with a manual voltage-selection switch.
To help avoid damaging a computer with a manual voltage selection switch, set the switch for the voltage that most closely matches the AC power available in your location. |
| | | ⚠ NOTICE: The voltage selection switch must be set to the 115-V position even though the AC power available in Japan is 100 V. |
| | | Also, ensure that your monitor and attached devices are electrically rated to operate with the AC power available in your location. |
| 5 | padlock ring | Insert a padlock to lock the computer cover. |
| 6 | cover release latch | Allows you to open the computer cover. |

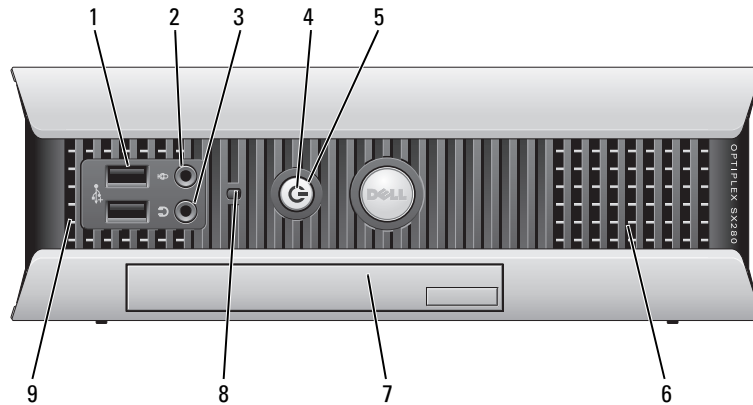
Small Form Factor Computer — Back-Panel Connectors



- | | | |
|---|------------------------------|---|
| 1 | parallel connector | <p>Connect a parallel device, such as a printer, to the parallel connector. If you have a USB printer, plug it into a USB connector.</p> <p>NOTE: The integrated parallel connector is automatically disabled if the computer detects an installed card containing a parallel connector configured to the same address. For more information, see your online <i>User's Guide</i>.</p> |
| 2 | link integrity light | <ul style="list-style-type: none"> • Green — A good connection exists between a 10-Mbps network and the computer. • Orange — A good connection exists between a 100-Mbps network and the computer. • Yellow — A good connection exists between a 1-Gbps (or 1000-Mbps) network and the computer. • Off — The computer is not detecting a physical connection to the network. |
| 3 | network adapter connector | <p>To attach your computer to a network or broadband device, connect one end of a network cable to either a network jack or your network or broadband device. Connect the other end of the network cable to the network adapter connector on the back panel of your computer. A click indicates that the network cable has been securely attached.</p> <p>NOTE: Do not plug a telephone cable into the network connector.</p> <p>On computers with a network connector card, use the connector on the card.</p> <p>It is recommended that you use Category 5 wiring and connectors for your network. If you must use Category 3 wiring, force the network speed to 10 Mbps to ensure reliable operation.</p> |
| 4 | network activity light | <p>Flashes a yellow light when the computer is transmitting or receiving network data. A high volume of network traffic may make this light appear to be in a steady "on" state.</p> |
| 5 | line-out connector | <p>Use the green line-out connector (available on computers with integrated sound) to attach most speakers with integrated amplifiers.</p> |
| 6 | line-in/microphone connector | <p>Use the blue and pink line-in/microphone connector (available on computers with integrated sound) to attach a record/playback device such as a cassette player, CD player, or VCR; or a personal computer microphone for voice or musical input into a sound or telephony program.</p> |
| 7 | USB 2.0 connectors (6) | <p>Use the back USB connectors for devices that typically remain connected, such as printers and keyboards.</p> |

- 8 video connector Plug the cable from your VGA-compatible monitor into the blue connector.
NOTE: If you purchased an optional graphics card, this connector will be covered by a cap. Connect your monitor to the connector on the graphics card. Do not remove the cap.
NOTE: If you are using a graphics card that supports dual monitors, use the y-cable that came with your computer.
- 9 serial connector Connect a serial device, such as a handheld device, to the serial port. The default designations are COM1 for serial connector 1 and COM2 for serial connector 2.
For more information, see your online *User's Guide*.

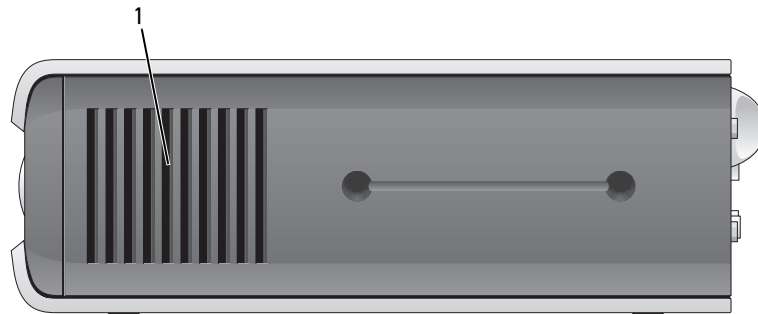
Ultra-Small Form Factor Computer — Front View



- 1 USB connectors (2) Use the front USB connectors for devices that you connect occasionally, such as joysticks or cameras, or for bootable USB devices (see your online *User's Guide* for more information about booting to a USB device).
It is recommended that you use the back USB connectors for devices that typically remain connected, such as printers and keyboards.
- 2 headphone connector Use the headphone connector to attach headphones and most kinds of speakers.
- 3 microphone connector Use the microphone connector to attach a microphone.

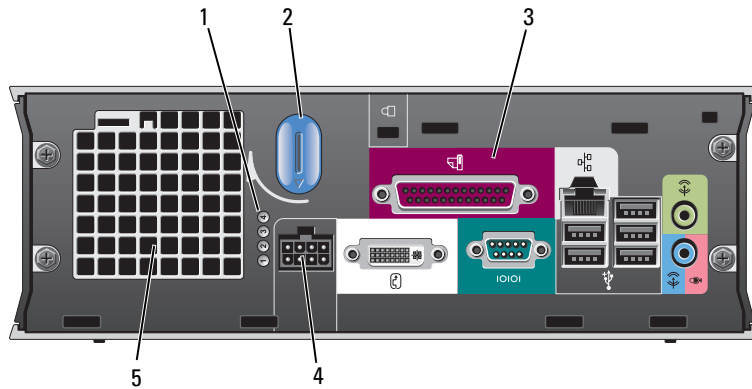
- 4 power light The power light illuminates and blinks or remains solid to indicate different states:
- No light — The computer is turned off.
 - Steady green — The computer is in a normal operating state.
 - Blinking green — The computer is in a power-saving mode.
 - Blinking or solid yellow — See your online *User's Guide*.
- To exit from a power-saving mode, press the power button or use the keyboard or the mouse if it is configured as a wake device in the Windows Device Manager. For more information about sleep modes and exiting from a power-saving mode, see your online *User's Guide*.
- See "System Lights" on page 49 for a description of light codes that can help you troubleshoot problems with your computer.
- 5 power button Press this button to turn on the computer.
- ➔ NOTICE:** To avoid losing data, do not turn off the computer by pressing the power button. Instead, perform an operating system shutdown. See "Before You Begin" on page 25 for more information.
- 6 vents The vents help prevent your computer from overheating. To ensure proper ventilation, do not block these cooling vents.
- 7 module bay Install a D-module optical drive, second hard drive, or floppy drive in the module bay.
- 8 hard-drive access light The hard-drive access light is on when the computer reads data from or writes data to the hard drive. The light might also be on when devices such as your CD player are operating.
- 9 vents The vents help prevent your computer from overheating. To ensure proper ventilation, do not block these cooling vents.

Ultra-Small Form Factor Computer — Side View



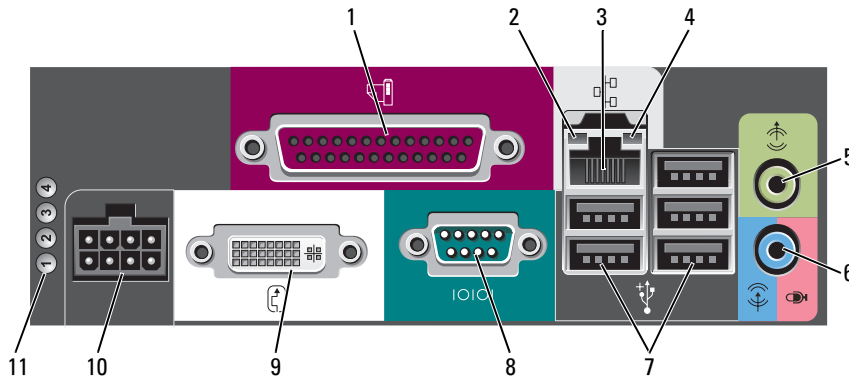
- 1 vents The vents located on each side of the computer help prevent your computer from overheating. To ensure proper ventilation, do not block these cooling vents.

Ultra-Small Form Factor Computer — Back View



- | | | |
|---|-----------------------------|---|
| 1 | diagnostic lights | See "Diagnostic Lights" on page 50 for a description of light codes that can help you troubleshoot problems with your computer. |
| 2 | computer cover release knob | Rotate this knob in a clockwise direction to remove the cover. |
| 3 | back-panel connectors | The connectors for your computer (see "Ultra-Small Form Factor Computer — Back-Panel Connectors" on page 23). |
| 4 | power connector | Insert the power cable. |
| 5 | vents | The vents help prevent your computer from overheating. To ensure proper ventilation, do not block these cooling vents. |

Ultra-Small Form Factor Computer — Back-Panel Connectors



- | | | |
|---|--------------------|---|
| 1 | parallel connector | Connect a parallel device, such as a printer, to the parallel connector. If you have a USB printer, plug it into a USB connector. |
|---|--------------------|---|

- | | | |
|----|-------------------------------|---|
| 2 | link integrity light | <ul style="list-style-type: none"> • Green — A good connection exists between a 10-Mbps network and the computer. • Orange — A good connection exists between a 100-Mbps network and the computer. • Yellow — A good connection exists between a 1000-Mbps (1-Gbps) network and the computer. • Off — The computer is not detecting a physical connection to the network or the network controller is turned off in system setup. |
| 3 | network adapter | <p>To attach your computer to a network or broadband device, connect one end of a network cable to either a network jack or your network or broadband device. Connect the other end of the network cable to the network adapter connector on the back panel of your computer. A click indicates that the network cable has been securely attached.</p> <p>NOTE: Do not plug a telephone cable into the network connector.</p> <p>On computers with a network connector card, use the connector on the card.</p> <p>It is recommended that you use Category 5 wiring and connectors for your network. If you must use Category 3 wiring, force the network speed to 10 Mbps to ensure reliable operation.</p> |
| 4 | network activity light | The amber light flashes when the computer is transmitting or receiving network data. A high volume of network traffic may make this light appear to be in a steady "on" state. |
| 5 | line-out connector | Use the green line-out connector to attach an amplified speaker set. |
| 6 | line-in/ microphone connector | Use the blue and pink line-in/ microphone connector to attach a record/playback device such as a cassette player, CD player, or VCR.; or a personal computer microphone for voice or musical input into a sound or telephony program. |
| 7 | USB connectors (5) | Use the back USB connectors for devices that typically remain connected, such as printers and keyboards. |
| 8 | serial connector | Connect a serial device, such as a handheld device, to the serial connector. |
| 9 | video connector | <p>If you have a DVI-compatible monitor, plug the cable from your monitor into the white connector on the back panel.</p> <p>If you have a VGA monitor, see "Connecting a VGA Monitor" in your computer <i>User's Guide</i>.</p> |
| 10 | power connector | The connector for the power adapter. |
| 11 | diagnostic lights | See "Diagnostic Lights" on page 50 for a description of light codes that can help you troubleshoot problems with your computer. |

Removing the Computer Cover




CAUTION: Before you begin any of the procedures in this section, follow the safety instructions in the *Product Information Guide*.



CAUTION: To guard against electrical shock, always unplug your computer from the electrical outlet before removing the cover.


Before You Begin


-  **NOTICE:** To avoid losing data, save and close any open files and exit any open programs before you turn off your computer.
- 1 Shut down the operating system:
 - a Save and close any open files, exit any open programs, click the **Start** button, and then click **Turn Off Computer**.
 - b In the **Turn off computer** window, click **Turn off**.
The computer turns off after the operating system shutdown process finishes.
- 2 Ensure that the computer and any attached devices are turned off. If your computer and attached devices did not automatically turn off when you shut down your operating system, turn them off now.


Before Working Inside Your Computer

Use the following safety guidelines to help protect your computer from potential damage and to help ensure your own personal safety.

 **CAUTION:** Before you begin any of the procedures in this section, follow the safety instructions in the *Product Information Guide*.


 **CAUTION:** Handle components and cards with care. Do not touch the components or contacts on a card. Hold a card by its edges or by its metal mounting bracket. Hold a component such as a processor by its edges, not by its pins.

 **NOTICE:** Only a certified service technician should perform repairs on your computer. Damage due to servicing that is not authorized by Dell is not covered by your warranty.

 **NOTICE:** When you disconnect a cable, pull on its connector or on its strain-relief loop, not on the cable itself. Some cables have a connector with locking tabs; if you are disconnecting this type of cable, press in on the locking tabs before you disconnect the cable. As you pull connectors apart, keep them evenly aligned to avoid bending any connector pins. Also, before you connect a cable, ensure that both connectors are correctly oriented and aligned.

To avoid damaging the computer, perform the following steps before you begin working inside the computer.

- 1 Turn off your computer.

 **NOTICE:** To disconnect a network cable, first unplug the cable from your computer and then unplug it from the network wall jack.

- 2 Disconnect any telephone or telecommunication lines from the computer.

- 3 Disconnect your computer and all attached devices from their electrical outlets, and then press the power button to ground the system board.

- 4 If applicable, remove the computer stand (for instructions, see the documentation that came with the stand).

 **CAUTION:** To guard against electrical shock, always unplug your computer from the electrical outlet before removing the cover.

5 Remove the computer cover:

- Remove the mini tower computer cover (see "Mini Tower Computer" on page 26).
- Remove the desktop computer cover (see "Desktop Computer" on page 27).
- Remove the small form factor computer cover (see "Small Form Factor Computer" on page 28).
- Remove the ultra-small form factor computer cover (see "Ultra-Small Form Factor Computer" on page 30).



NOTICE: Before touching anything inside your computer, ground yourself by touching an unpainted metal surface, such as the metal at the back of the computer. While you work, periodically touch an unpainted metal surface to dissipate any static electricity that could harm internal components.

Mini Tower Computer



CAUTION: Before you begin any of the procedures in this section, follow the safety instructions in the *Product Information Guide*.

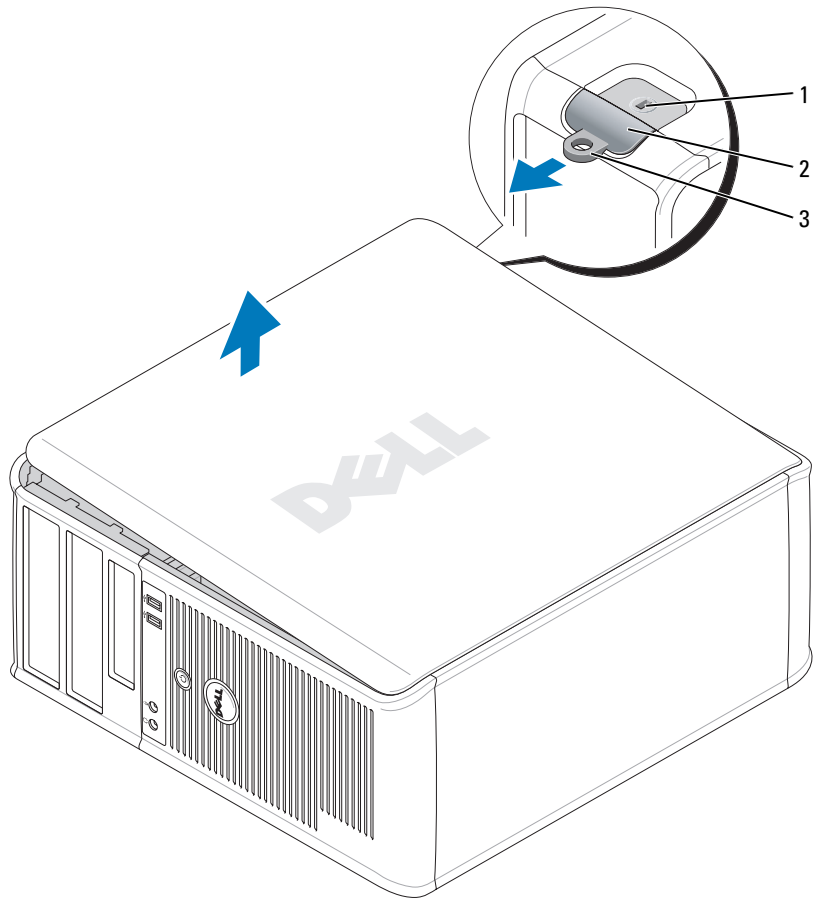


CAUTION: To guard against electrical shock, always unplug your computer from the electrical outlet before removing the computer cover.

- 1 Follow the procedures in "Before You Begin" on page 25.
- 2 Lay the computer on its side as shown in the illustration.
- 3 Locate the cover release latch shown in the illustration. Then, slide the release latch back as you lift the cover.
- 4 Grip the sides of the computer cover and pivot the cover up using the hinge tabs as leverage points.
- 5 Remove the cover from the hinge tabs and set it aside on a soft nonabrasive surface.



CAUTION: Graphic card heatsinks may become very hot during normal operation. Ensure that a graphic card heatsink has had sufficient time to cool before you touch it.



1 security cable slot

2 cover release latch

3 padlock ring

Desktop Computer

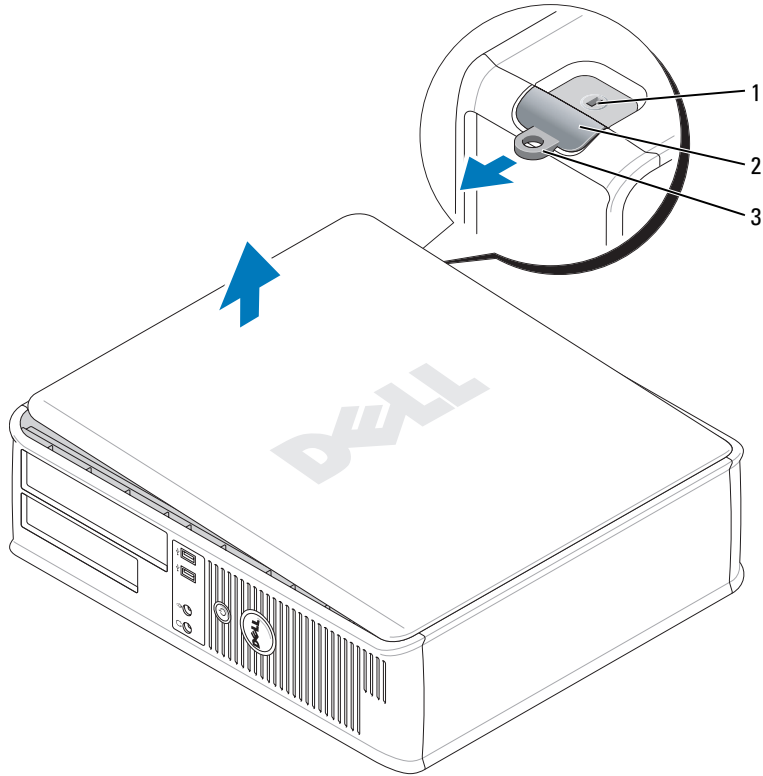
⚠ CAUTION: Before you begin any of the procedures in this section, follow the safety instructions in the *Product Information Guide*.

⚠ CAUTION: To guard against electrical shock, always unplug your computer from the electrical outlet before removing the computer cover.

- 1 Follow the procedures in "Before You Begin" on page 25.
- 2 If you have installed a padlock through the padlock ring on the back panel, remove the padlock.

- 3 Locate the cover release latch shown in the illustration. Then, slide the release latch back as you lift the cover.
- 4 Grip the sides of the computer cover and pivot the cover up using the hinge tabs as leverage points.
- 5 Remove the cover from the hinge tabs and set it aside on a soft nonabrasive surface.

CAUTION: Graphic card heatsinks may become very hot during normal operation. Ensure that a graphic card heatsink has had sufficient time to cool before you touch it.



1 security cable slot

2 cover release latch


3 padlock ring

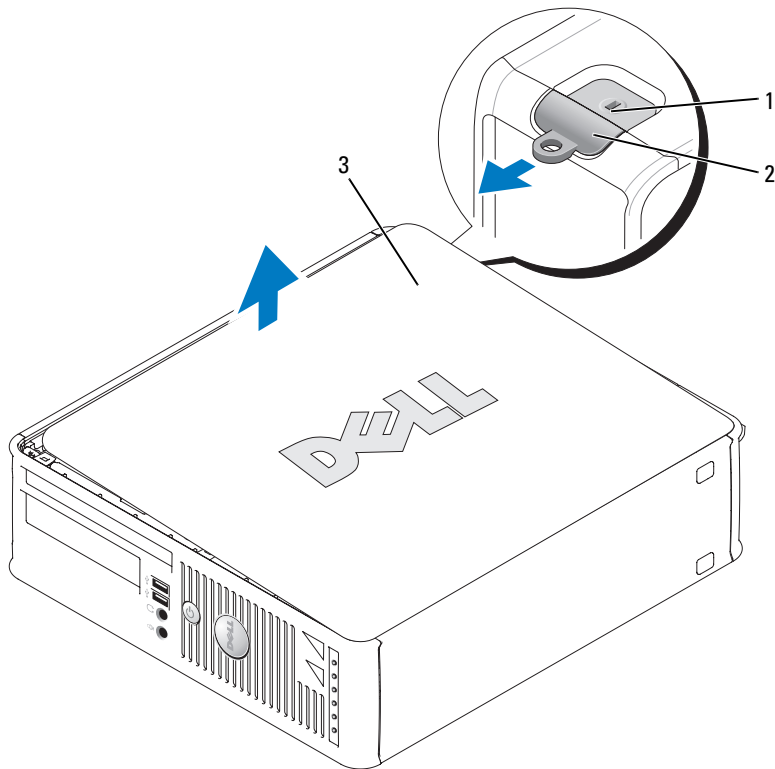
Small Form Factor Computer

CAUTION: Before you begin any of the procedures in this section, follow the safety instructions in the *Product Information Guide*.

CAUTION: To guard against electrical shock, always unplug your computer from the electrical outlet before removing the computer cover.

- 1 Follow the procedures in "Before You Begin" on page 25.
- 2 If you have installed a padlock through the padlock ring on the back panel, remove the padlock.
- 3 Locate the cover release latch shown in the illustration. Then, slide the release latch back as you lift the cover.
- 4 Grip the sides of the computer cover and pivot the cover up using the bottom hinges as leverage points.
- 5 Remove the cover from the hinge tabs and set it aside on a soft nonabrasive surface.

 **CAUTION: Graphic card heatsinks may become very hot during normal operation. Ensure that a graphic card heatsink has had sufficient time to cool before you touch it.**



1 security cable slot

2 cover release latch

3 computer cover

Ultra-Small Form Factor Computer

⚠ CAUTION: Before you begin any of the procedures in this section, follow the safety instructions in the *Product Information Guide*.

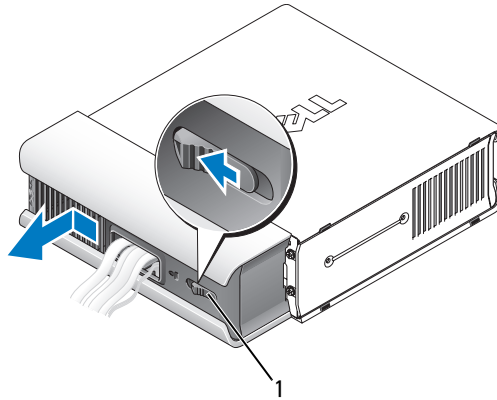
⚠ CAUTION: To guard against electrical shock, always unplug your computer from the electrical outlet before removing the computer cover.

1 Follow the procedures in "Before You Begin" on page 25.

➡ NOTICE: Before touching anything inside your computer, ground yourself by touching an unpainted metal surface. While you work, periodically touch an unpainted metal surface to dissipate any static electricity that could harm internal components.

2 If applicable, remove the cable cover.

a If a security device is installed in the security cable slot, remove the device.



1 release button

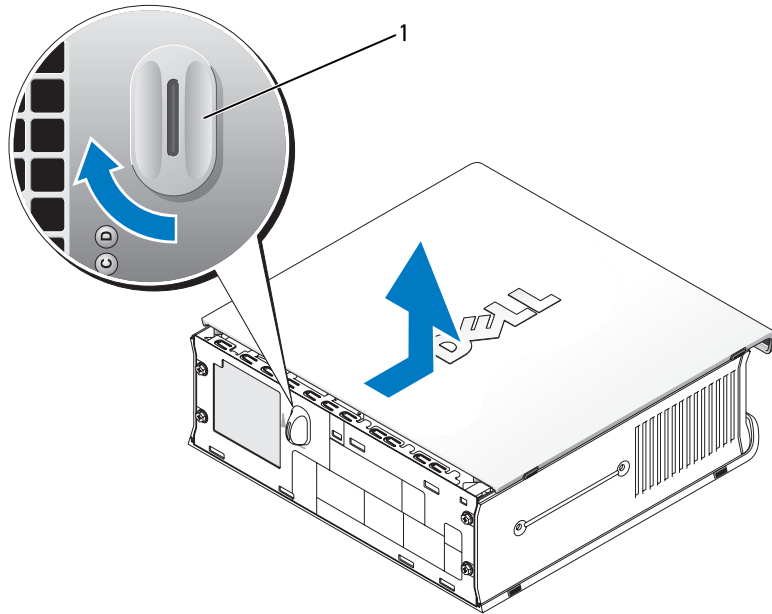
b Press on the release button, grasp the cable cover, and slide the cover to the left until it stops, and then lift the cable cover up and away.

3 Remove the computer cover:

a Rotate the cover release knob in a clockwise direction, as shown in the illustration.

b Slide the computer cover forward by 1 cm (1/2 inch), or until it stops, and then raise the cover.

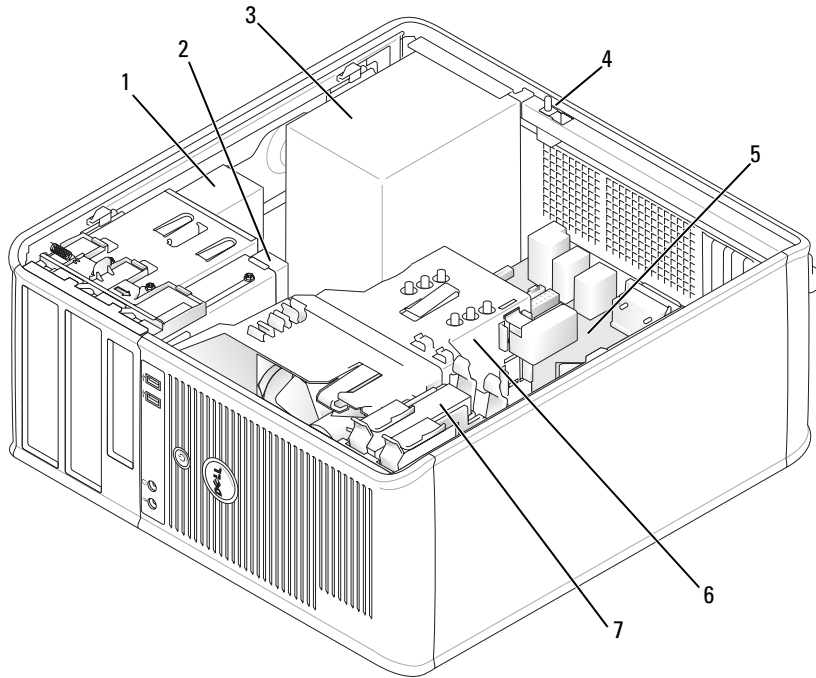
⚠ CAUTION: Graphic card heatsinks may become very hot during normal operation. Ensure that a graphic card heatsink has had sufficient time to cool before you touch it.



1 release knob

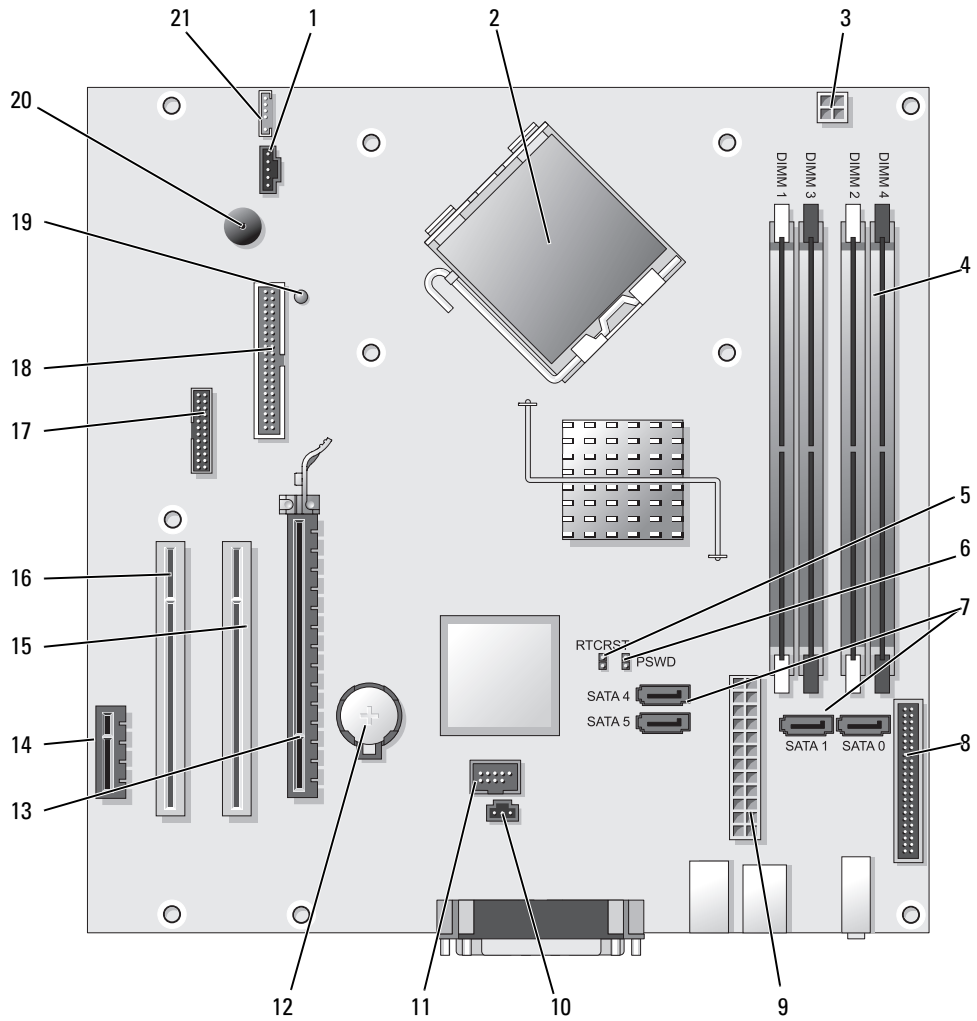
Inside Your Computer

Mini Tower Computer



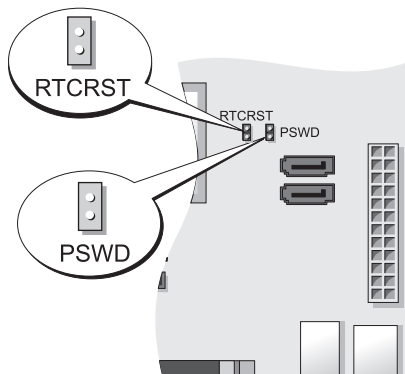
- | | | | | | |
|---|-----------------------------------|---|-----------------------------------|---|--------------------|
| 1 | optical drive | 2 | floppy drive or media card reader | 3 | power supply |
| 4 | optional chassis-intrusion switch | 5 | system board | 6 | heat-sink assembly |
| 7 | hard drive | | | | |





System Board Components



- | | | | |
|----|---|----|-----------------------------------|
| 1 | fan connector (FAN) | 12 | battery socket (BATT) |
| 2 | processor connector (CPU) | 13 | PCI Express x16 connector (SLOT1) |
| 3 | processor power connector (12VPOWER) | 14 | PCI Express x1 connector (SLOT4) |
| 4 | memory module connectors (DIMM_1, DIMM_2, DIMM_3, DIMM_4) | 15 | PCI connector (SLOT2) |
| 5 | RTC reset jumper (RTCRST) | 16 | PCI connector (SLOT3) |
| 6 | password jumper (PSWD) | 17 | serial connector (SER2) |
| 7 | SATA drive connectors (SATA0, SATA1, SATA4, SATA5) | 18 | floppy drive connector (DSKT) |
| 8 | front-panel connector (FNT_PANEL) | 19 | flea power |
| 9 | power connector (POWER) | 20 | system board speaker (BEEP) |
| 10 | intrusion switch connector (INTRUDER) | 21 | speaker connector (INT_SPKR) |
| 11 | internal USB (INTERNAL_USB) | | |

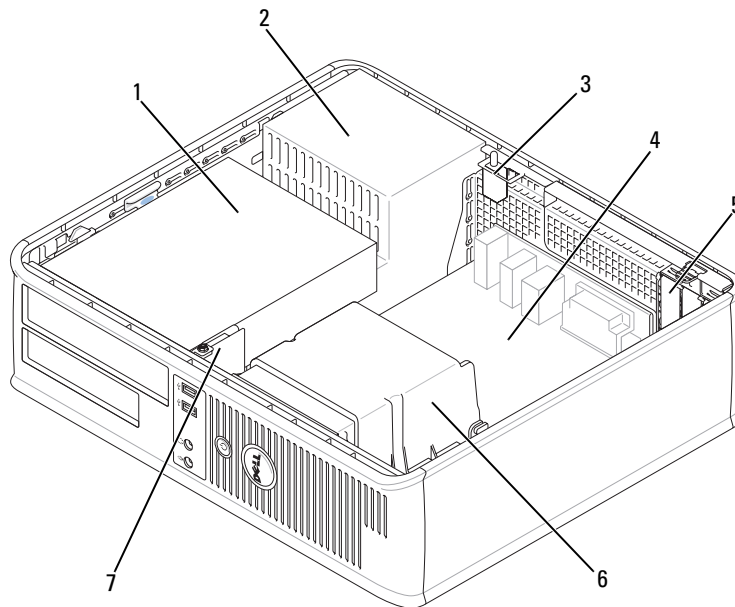
Jumper Settings



Jumper	Setting	Description
PSWD		Password features are enabled (default setting).
		Password features are disabled.
RTCRST		The real-time clock has not been reset.
		The real-time clock is being reset (jumpered temporarily).

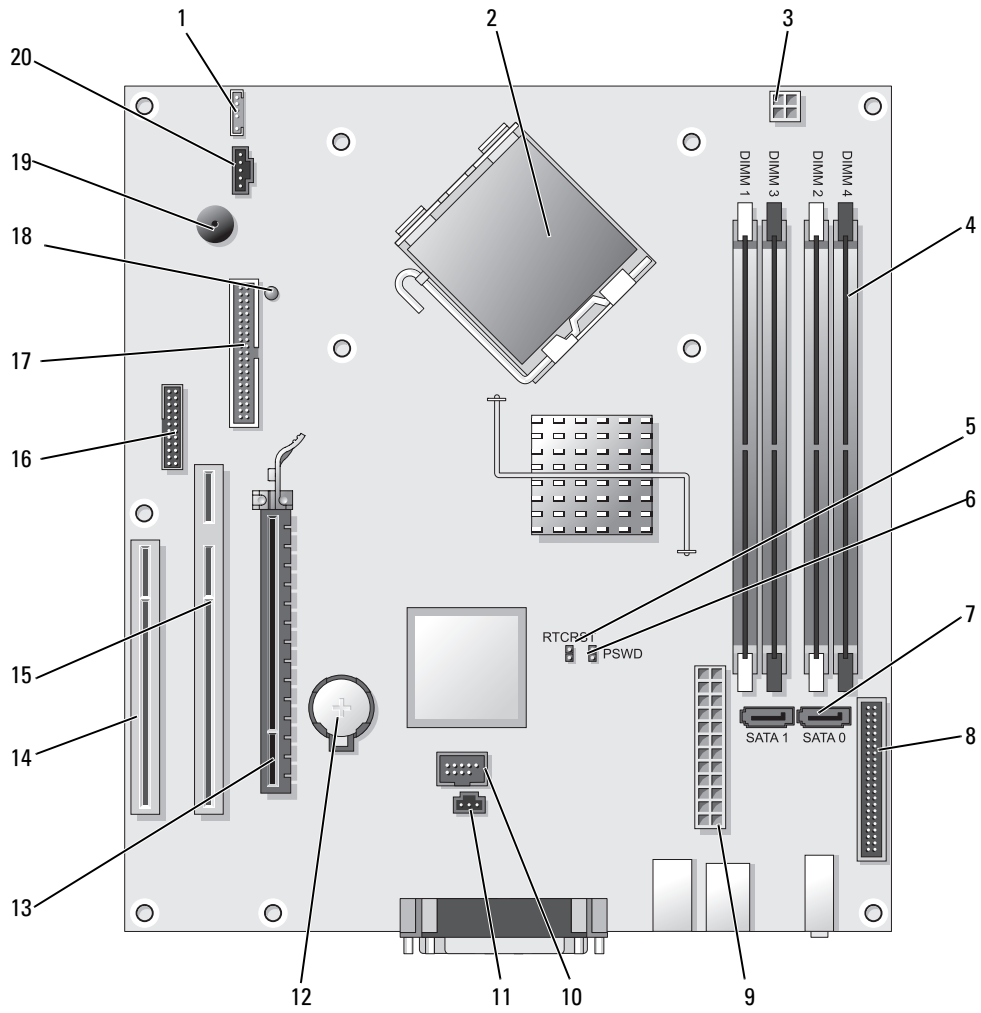
 *jumpered*  *unjumpered*

Desktop Computer



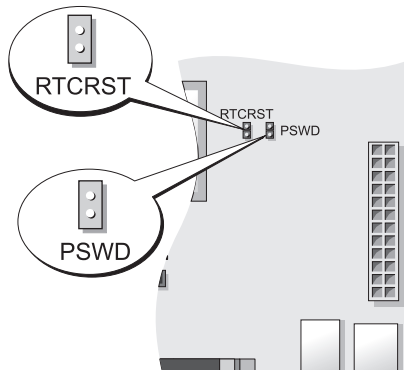
- | | | | | | |
|---|--|---|--------------|---|-----------------------------------|
| 1 | drive bays (media card reader or floppy drive, optical drive and hard drive) | 2 | power supply | 3 | optional chassis-intrusion switch |
| 4 | system board | 5 | card slots | 6 | heat sink assembly |
| 7 | front I/O panel | | | | |

System Board Components



- | | | | |
|----|---|----|---------------------------------------|
| 1 | internal speaker (INT_SPKR) | 11 | intrusion switch connector (INTRUDER) |
| 2 | processor connector (CPU) | 12 | battery socket (BATT) |
| 3 | processor power connector (12VPOWER) | 13 | PCI Express x16 connector (SLOT1) |
| 4 | memory module connectors (DIMM_1, DIMM_2, DIMM_3, DIMM_4) | 14 | PCI connector (SLOT3) |
| 5 | RTC reset jumper (RTCRST) | 15 | PCI connector (SLOT2) |
| 6 | password jumper (PSWD) | 16 | serial connector (SER2) |
| 7 | SATA connectors (SATA0, SATA1) | 17 | floppy drive connector (DSKT) |
| 8 | front-panel connector (FNT_PANEL) | 18 | flea power |
| 9 | power connector (POWER) | 19 | system board speaker (BEEP) |
| 10 | internal USB (INTERNAL_USB) | 20 | fan connector (FAN) |

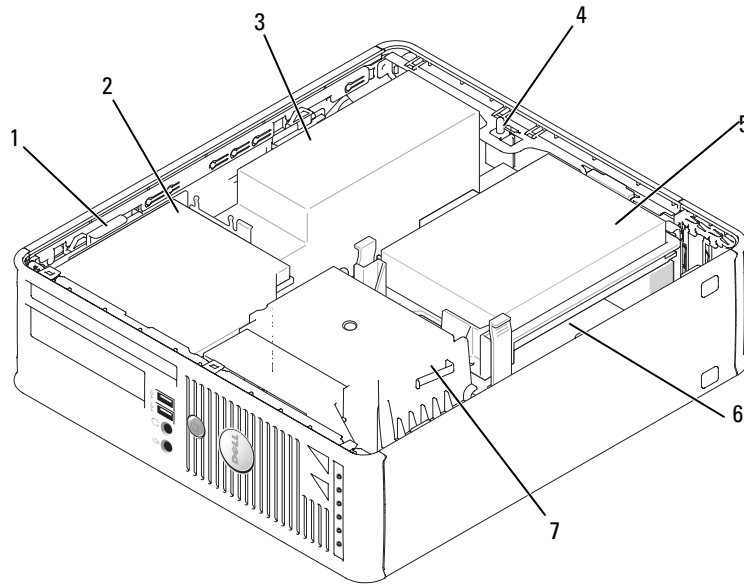
Jumper Settings



Jumper	Setting	Description
PSWD		Password features are enabled (default setting).
		Password features are disabled.
RTCRST		The real-time clock has not been reset.
		The real-time clock is being reset (jumpered temporarily).

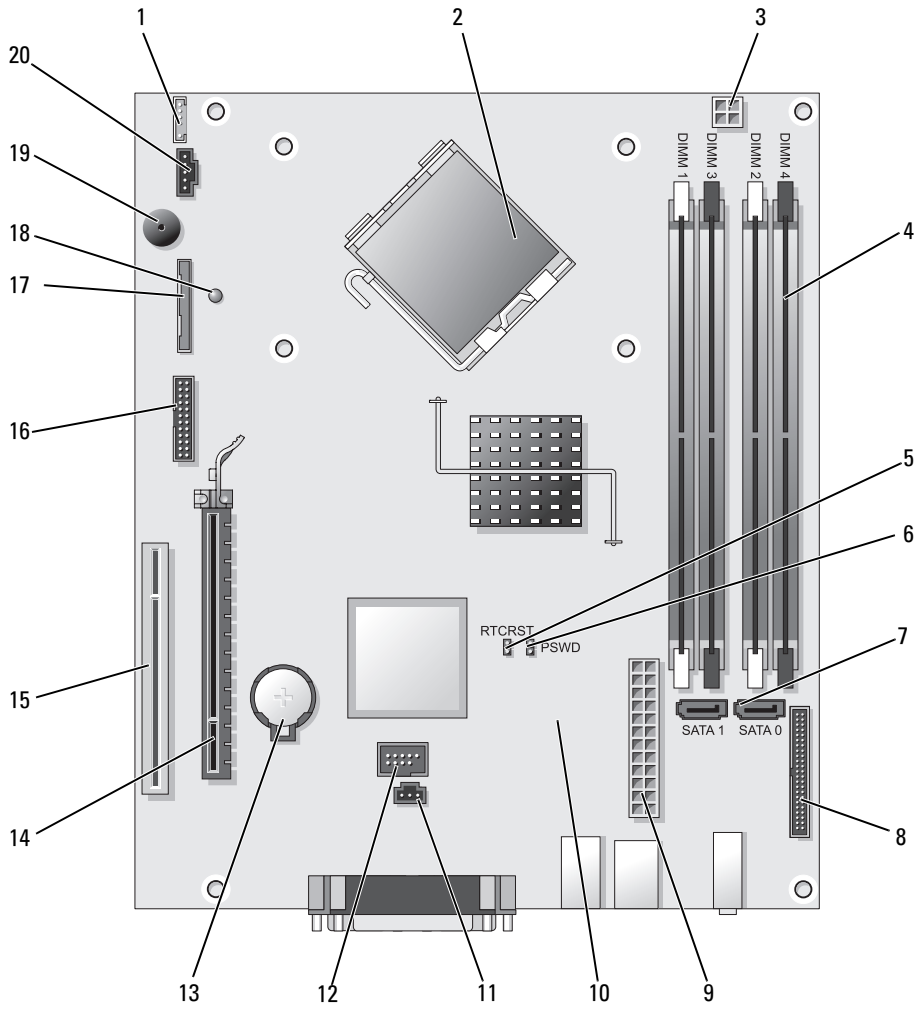
jumpered *unjumpered*

Small Form Factor Computer



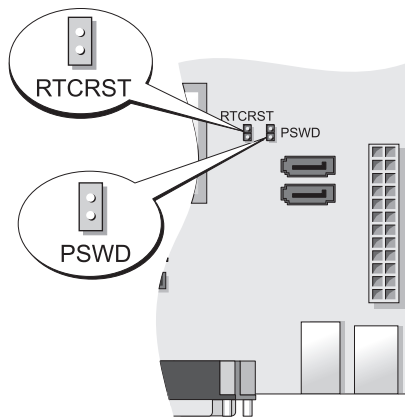
- | | | | | | |
|---|-----------------------------------|---|---------------|---|----------------------|
| 1 | drive-release latch | 2 | optical drive | 3 | power supply and fan |
| 4 | optional chassis-intrusion switch | 5 | hard drive | 6 | system board |
| 7 | heat sink and blower assembly | | | | |





System Board Components



- | | | | |
|----|---|----|---------------------------------------|
| 1 | internal speaker connector (INT_SPKR) | 11 | intrusion switch connector (INTRUDER) |
| 2 | processor connector (CPU) | 12 | internal USB connector (USB) |
| 3 | processor power connector (12VPOWER) | 13 | battery socket (BATT) |
| 4 | memory module connectors (DIMM_1, DIMM_2, DIMM_3, DIMM_4) | 14 | PCI Express x16 connector (SLOT1) |
| 5 | RTC reset jumper (RTCRST) | 15 | PCI connector (SLOT2) |
| 6 | password jumper (PSWD) | 16 | serial connector (SER2) |
| 7 | SATA connectors (SATA0, SATA1) | 17 | floppy drive connector (DSKT) |
| 8 | front-panel connector (FNT_PANEL) | 18 | flea power |
| 9 | power connector (POWER) | 19 | system board speaker (BEEP) |
| 10 | fan connector (FAN2) | 20 | fan connector (FAN) |

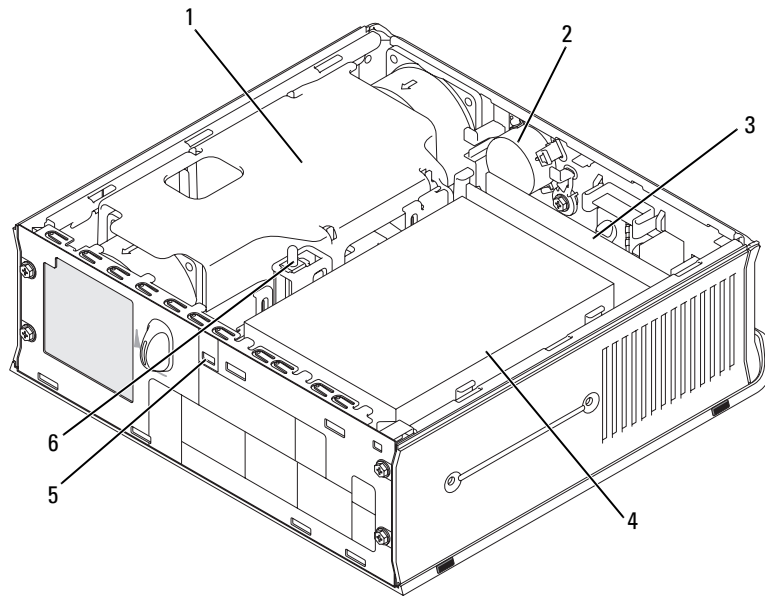
Jumper Settings



Jumper	Setting	Description
PSWD		Password features are enabled (default setting).
		Password features are disabled.
RTC RST		The real-time clock has not been reset.
		The real-time clock is being reset (jumpered temporarily).

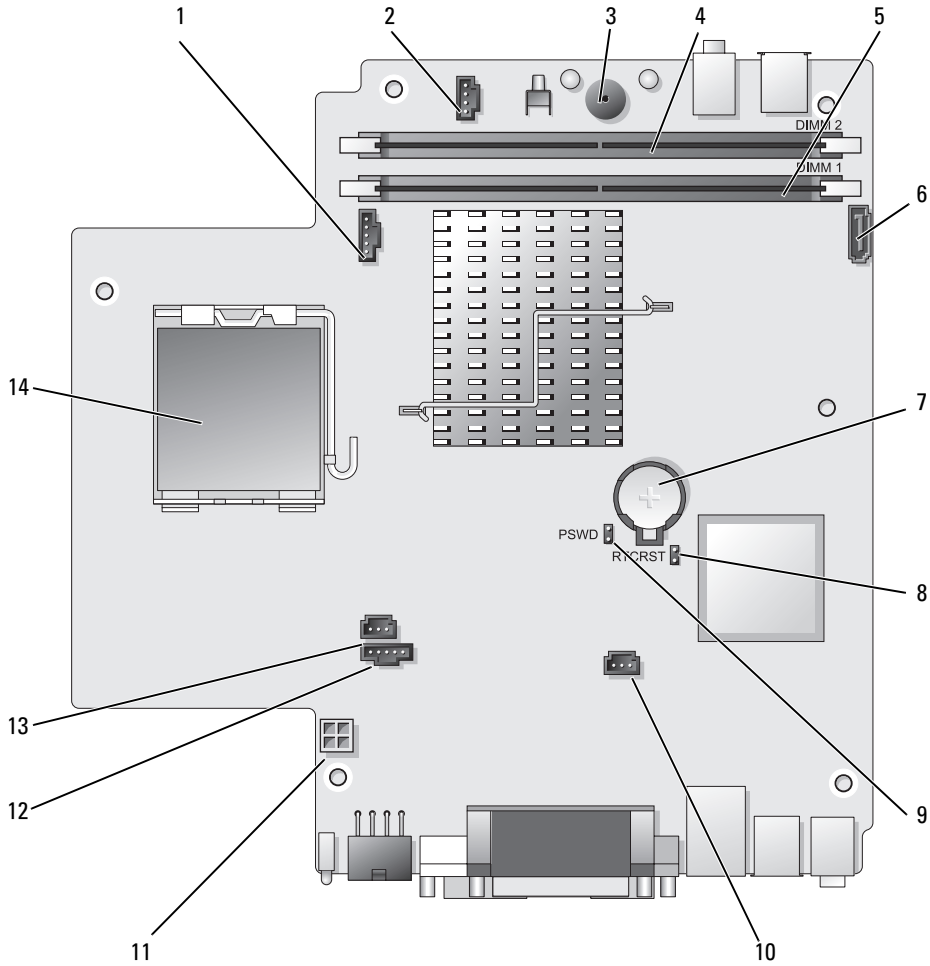
 *jumpered*  *unjumpered*

Ultra-Small Form Factor Computer



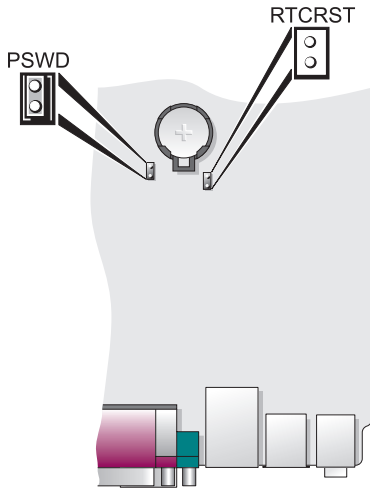
- | | | | | | |
|---|--------------------------------|---|---------------------|---|--------------------------|
| 1 | fan shroud/ heat sink assembly | 2 | speaker (optional) | 3 | memory modules (2) |
| 4 | hard drive | 5 | security cable slot | 6 | chassis intrusion switch |

System Board Components



- | | | | |
|---|---------------------------------------|----|---------------------------------------|
| 1 | fan connector (FAN_FRONT) | 8 | clear CMOS jumper (RTCST) |
| 2 | internal speaker connector (INT_SPKR) | 9 | password jumper (PSWD) |
| 3 | system board speaker (BEEP) | 10 | hard-drive fan connector (FAN_HDD) |
| 4 | channel B memory connector (DIMM_2) | 11 | hard-drive power connector (SATA_PWR) |
| 5 | channel A memory connector (DIMM_1) | 12 | fan connector (FAN_REAR) |
| 6 | SATA data cable connector(SATA0) | 13 | intrusion switch connector (INTRUDER) |
| 7 | battery (BATT) | 14 | processor (CPU) |

Jumper Settings




Jumper	Setting	Description
PSWD		Password features are enabled (default setting).
		Password features are disabled.
RTCRST		The real-time clock has not been reset.
		The real-time clock is being reset (jumped temporarily).


jumped
 unjumpered

Setting Up Your Computer


- CAUTION:** Before performing any of the procedures in this section, follow the safety instructions in *Product Information Guide*.
- NOTICE:** If your computer has an expansion card installed (such as a modem card), connect the appropriate cable to the card, *not* to the connector on the back panel.
- NOTICE:** To help allow the computer to maintain proper operating temperature, ensure that you do not place the computer too close to a wall or other storage compartment that might prevent air circulation around the chassis. See your Product Information Guide for more information.

 **NOTE:** Before you install any devices or software that did not ship with your computer, read the documentation that came with the device or software, or contact the vendor to verify that the device or software is compatible with your computer and operating system.

You must complete all the steps to properly set up your computer. See the appropriate figures that follow the instructions.

 **NOTICE:** Do not attempt to operate a PS/2 mouse and a USB mouse simultaneously.

1 Connect the keyboard and mouse.


 **NOTICE:** Do not connect a modem cable to the network adapter connector. Voltage from telephone communications can cause damage to the network adapter

2 Connect the modem or network cable.

Insert the network cable, not the telephone line, into the network connector. If you have an optional modem, connect the telephone line to the modem.


3 Connect the monitor.


Align and gently insert the monitor cable to avoid bending connector pins. Tighten the thumbscrews on the cable connectors.

 **NOTE:** Some monitors have the video connector underneath the back of the screen. See the documentation that came with your monitor for its connector locations.

4 Connect the speakers.

5 Connect power cables to the computer, monitor, and devices and connect the other ends of the power cables to electrical outlets.

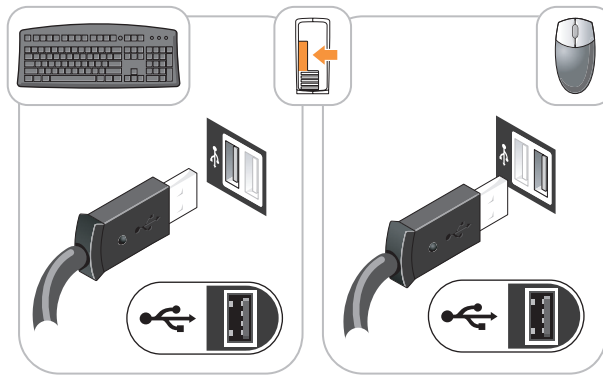
 **NOTICE:** To avoid damaging a computer with a manual voltage-selection switch, set the switch for the voltage that most closely matches the AC power available in your location.

 **NOTICE:** In Japan, the voltage selection switch must be set to the 115-V position even though the AC power available in Japan is 100 V.

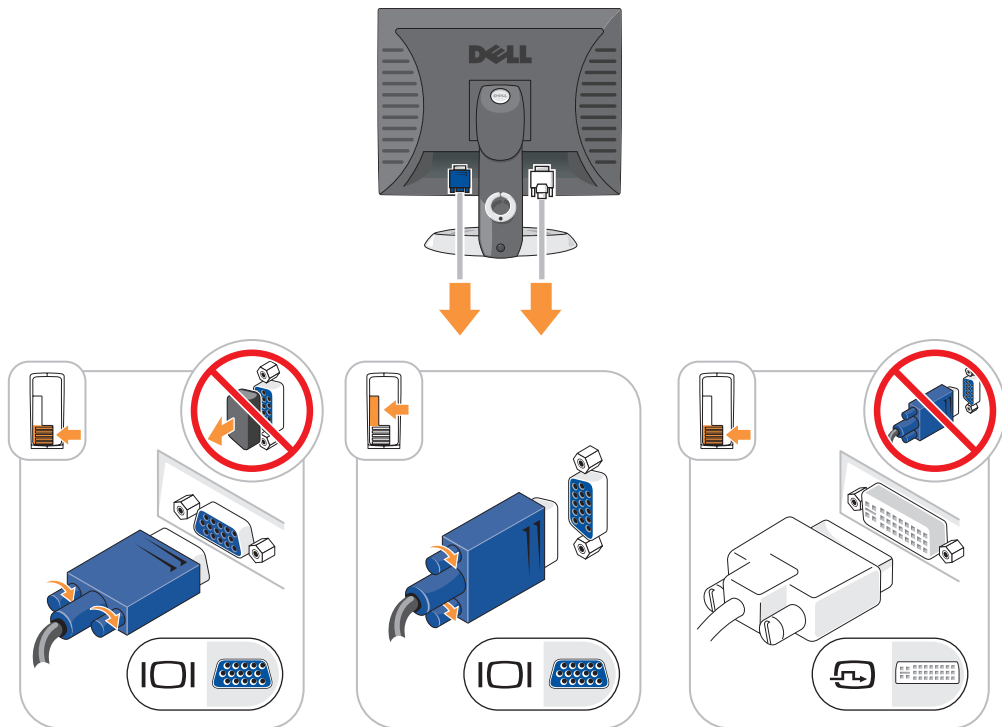
6 Verify that the voltage selection switch is set correctly for your location.

Your computer has a manual voltage-selection switch. Computers with a voltage selection switch on the back panel must be manually set to operate at the correct operating voltage.

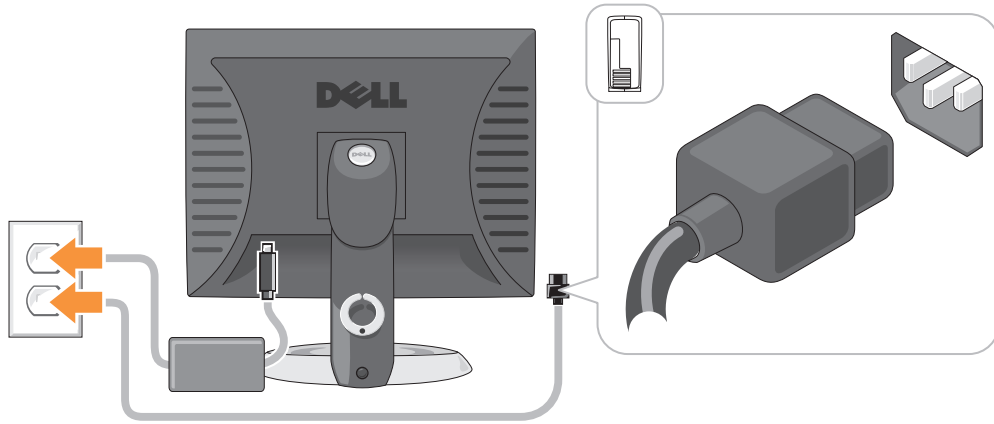
Set Up Your Keyboard and Mouse



Set Up Your Monitor



Power Connections



Solving Problems

Dell provides a number of tools to help you if your computer does not perform as expected. For the latest troubleshooting information available for your computer, see the Dell Support website at support.dell.com.

If computer problems occur that require help from Dell, write a detailed description of the error, beep codes, or diagnostics light patterns, record your Express Service Code and Service Tag below, and then contact Dell from the same location as your computer. For information on contacting Dell, see your online *User's Guide*.

For an example of the Express Service Code and Service Tag, see "Finding Information" in your computer *User's Guide*.

Express Service Code: _____

Service Tag: _____

Dell Diagnostics

⚠ CAUTION: Before you begin any of the procedures in this section, follow the safety instructions in the *Product Information Guide*.

When to Use the Dell Diagnostics

If you experience a problem with your computer, perform the checks in "Solving Problems" in your online *User's Guide* and run the Dell Diagnostics before you contact Dell for technical assistance. For information on contacting Dell, see your online *User's Guide*.


🔄 NOTICE: The Dell Diagnostics works only on Dell™ computers.

Enter system setup (see "System Setup" in your online *User's Guide* for instructions), review your computer's configuration information, and ensure that the device you want to test displays in system setup and is active.

Start the Dell Diagnostics from either your hard drive or from the optional *Drivers and Utilities* CD (*ResourceCD*).

Starting the Dell Diagnostics From Your Hard Drive

- 1 Turn on (or restart) your computer.
- 2 When the DELL logo appears, press <F12> immediately.

 **NOTE:** If you see a message stating that no diagnostics utility partition has been found, run the Dell Diagnostics from the optional *Drivers and Utilities* CD (see "Starting the Dell Diagnostics From the Drivers and Utilities CD" on page 47).

If you wait too long and the operating system logo appears, continue to wait until you see the Microsoft® Windows® desktop. Then shut down your computer and try again.

When the boot device list appears, highlight **Boot to Utility Partition** and press <Enter>.


- 3 When the Dell Diagnostics **Main Menu** appears, select the test you want to run.

Starting the Dell Diagnostics From the Drivers and Utilities CD

- 1 Insert the *Drivers and Utilities* CD.
- 2 Shut down and restart the computer.

When the DELL logo appears, press <F12> immediately.

If you wait too long and the operating system logo appears, continue to wait until you see the Microsoft Windows desktop. Then shut down your computer and try again.

 **NOTE:** The next steps change the boot sequence for one time only. On the next start-up, the computer boots according to the devices specified in system setup.

- 3 When the boot device list appears, highlight the listing for the CD/DVD drive and press <Enter>.
- 4 Select the listing for the CD/DVD drive option from the CD boot menu.
- 5 Select the option to boot from the CD/DVD drive from the menu that appears.
- 6 Type 1 to start the *Drivers and Utilities* CD menu.
- 7 Type 2 to start the Dell Diagnostics.
- 8 Select **Run the 32 Bit Dell Diagnostics** from the numbered list. If multiple versions are listed, select the version appropriate for your computer.
- 9 When the Dell Diagnostics **Main Menu** appears, select the test you want to run.


Dell Diagnostics Main Menu

- 1 After the Dell Diagnostics loads and the **Main Menu** screen appears, click the button for the option you want.

Option	Function
Express Test	Performs a quick test of devices. This test typically takes 10 to 20 minutes and requires no interaction on your part. Run Express Test first to increase the possibility of tracing the problem quickly.
Extended Test	Performs a thorough check of devices. This test typically takes an hour or more and requires you to answer questions periodically.
Custom Test	Tests a specific device. You can customize the tests you want to run.
Symptom Tree	Lists the most common symptoms encountered and allows you to select a test based on the symptom of the problem you are having.

- 2 If a problem is encountered during a test, a message appears with an error code and a description of the problem. Write down the error code and problem description and follow the instructions on the screen.

If you cannot resolve the error condition, contact Dell. For information on contacting Dell, see your online *User's Guide*.

 **NOTE:** The Service Tag for your computer is located at the top of each test screen. If you contact Dell, technical support will ask for your Service Tag.

- 3 If you run a test from the **Custom Test** or **Symptom Tree** option, click the applicable tab described in the following table for more information.

Tab	Function
Results	Displays the results of the test and any error conditions encountered.
Errors	Displays error conditions encountered, error codes, and the problem description.
Help	Describes the test and may indicate requirements for running the test.
Configuration	Displays your hardware configuration for the selected device. The Dell Diagnostics obtains configuration information for all devices from system setup, memory, and various internal tests, and it displays the information in the device list in the left pane of the screen. The device list may not display the names of all the components installed on your computer or all devices attached to your computer.
Parameters	You can customize the test by changing the test settings.

- 4 When the tests are completed, if you are running the Dell Diagnostics from the *Drivers and Utilities* CD (optional), remove the CD.
- 5 Close the test screen to return to the **Main Menu** screen. To exit the Dell Diagnostics and restart the computer, close the **Main Menu** screen.

System Lights

Your power light may indicate a computer problem.

Power Light	Problem Description	Suggested Resolution
Solid green	Power is on, and the computer is operating normally.	No corrective action is required.
Blinking green	The computer is in a power-saving mode.	Press the power button, move the mouse, or press a key on the keyboard to wake the computer.
Blinks green several times and then turns off	A configuration error exists.	Check Diagnostic Lights to see if the specific problem is identified (see "Diagnostic Lights" on page 50).
Solid yellow	A device on the system board may be faulty or incorrectly installed or the voltage selection switch on the power supply may be set incorrectly.	Check Diagnostic Lights to see if the specific problem is identified (see "Diagnostic Lights" on page 50). See "Power Problems" in your online <i>User's Guide</i> . If the computer does not boot, contact Dell for technical assistance. For information on contacting Dell, see your online <i>User's Guide</i> .
Blinking yellow	A power supply or system board failure has occurred.	Check Diagnostic Lights to see if the specific problem is identified (see "Diagnostic Lights" on page 50). See "Power Problems" in your online <i>User's Guide</i> . If the computer does not boot, contact Dell for technical assistance. For information on contacting Dell, see your online <i>User's Guide</i> .
Solid green and a beep code during POST	A problem was detected while the BIOS was executing.	For instructions on diagnosing the beep code see "Beep Codes" on page 52. Also, check Diagnostic Lights to see if the specific problem is identified.


Power Light	Problem Description	Suggested Resolution
Solid green power light, no beep code and no video during POST	The monitor or the graphics card may be faulty or incorrectly installed.	Check Diagnostic Lights to see if the specific problem is identified.
Solid green power light and no beep code, but the computer locks up during POST	An integrated system board device may be faulty.	Check Diagnostic Lights to see if the specific problem is identified. If the problem is not identified, contact Dell for technical assistance. For information on contacting Dell, see your online <i>User's Guide</i> .




Diagnostic Lights





 **CAUTION:** Before you begin any of the procedures in this section, follow the safety instructions in the *Product Information Guide*.




To help you troubleshoot a problem, your computer has four lights labeled "1," "2," "3," and "4" on the front or back panel. The lights can be "off" or green. When the computer starts normally, the patterns or codes on the lights change as the boot process completes. If the POST portion of system boot completes successfully, all four lights display solid green for a short time, and then turn off.

If the computer malfunctions during the POST process, the pattern displayed on the LEDs may help identify where in the process the computer halted. If the computer malfunctions after a successful POST, the diagnostic lights do not indicate the cause of the problem.

 **NOTE:** The orientation of the diagnostic lights may vary depending on the system type. The diagnostic lights can be either vertically or horizontally oriented.

Light Pattern	Problem Description	Suggested Resolution
	The computer is in a normal "off" condition, or a possible pre-BIOS failure has occurred. The diagnostic lights are not lit after the computer successfully boots to the operating system.	Plug the computer into a working electrical outlet and press the power button.
	A possible BIOS failure has occurred; the computer is in recovery mode.	Run the BIOS Recovery utility, wait for recovery completion, and then restart the computer.
	A possible processor failure has occurred.	Reinstall the processor and restart the computer. For information on reinstalling the processor, see your online <i>User's Guide</i> .

Light Pattern	Problem Description	Suggested Resolution
	Memory modules are detected, but a memory failure has occurred.	<ul style="list-style-type: none"> • If you have one memory module installed, reinstall it and restart the computer. For information on reinstalling memory modules, see your online <i>User's Guide</i>. • If you have two or more memory modules installed, remove the modules, reinstall one module, and then restart the computer. If the computer starts normally, reinstall an additional module. Continue until you have identified a faulty module or reinstalled all modules without error. • If available, install properly working memory of the same type into your computer. • If the problem persists, contact Dell. For information on contacting Dell, see your online <i>User's Guide</i>.
	A possible graphics card failure has occurred.	<ul style="list-style-type: none"> • If the computer has a graphics card, remove the card, reinstall it, and then restart the computer. • If the problem still exists, install a graphics card that you know works and restart the computer. • If the problem persists or the computer has integrated graphics, contact Dell. For information on contacting Dell, see your online <i>User's Guide</i>.
	A possible floppy or hard drive failure has occurred.	Reseat all power and data cables and restart the computer.
	A possible USB failure has occurred.	Reinstall all USB devices, check cable connections, and then restart the computer.

Light Pattern	Problem Description	Suggested Resolution
	No memory modules are detected.	<ul style="list-style-type: none"> • If you have one memory module installed, reinstall it and restart the computer. For information on reinstalling memory modules, see your online <i>User's Guide</i>. • If you have two or more memory modules installed, remove the modules, reinstall one module, and then restart the computer. If the computer starts normally, reinstall an additional module. Continue until you have identified a faulty module or reinstalled all modules without error. • If available, install properly working memory of the same type into your computer. • If the problem persists, contact Dell. For information on contacting Dell, see your online <i>User's Guide</i>.
	Memory modules are detected, but a memory configuration or compatibility error exists.	<ul style="list-style-type: none"> • Ensure that no special memory module/memory connector placement requirements exist. • Verify that the memory modules that you are installing are compatible with your computer. • If the problem persists, contact Dell. For information on contacting Dell, see your online <i>User's Guide</i>.
	<p>A failure has occurred.</p> <p>This pattern also displays when you enter system setup and may not indicate a problem.</p>	<ul style="list-style-type: none"> • Ensure that the cables are properly connected to the system board from the hard drive, CD drive, and DVD drive. • Check the computer message that appears on your monitor screen. • If the problem persists, contact Dell. For information on contacting Dell, see your online <i>User's Guide</i>.

Beep Codes

Your computer might emit a series of beeps during start-up if the monitor cannot display errors or problems. This series of beeps, called a beep code, identifies a problem. One possible beep code (code 1 3-1) consists of one beep, a burst of three beeps, and then one beep. This beep code tells you that the computer encountered a memory problem.

If your computer beeps during start-up:

- 1 Write down the beep code.
- 2 See "Dell Diagnostics" on page 46 to identify a more serious cause.
- 3 Contact Dell for technical assistance. For information on contacting Dell, see your online *User's Guide*.

Code	Cause	Code	Cause
1-1-2	Microprocessor register failure	3-1-4	Slave interrupt mask register failure
1-1-3	NVRAM read/write failure	3-2-2	Interrupt vector loading failure
1-1-4	ROM BIOS checksum failure	3-2-4	Keyboard Controller test failure
1-2-1	Programmable interval timer failure	3-3-1	NVRAM power loss
1-2-2	DMA initialization failure	3-3-2	Invalid NVRAM configuration
1-2-3	DMA page register read/write failure	3-3-4	Video Memory test failure
1-3	Video Memory test failure	3-4-1	Screen initialization failure
1-3-1 through 2-4-4	Memory not being properly identified or used	3-4-2	Screen retrace failure
3-1-1	Slave DMA register failure	3-4-3	Search for video ROM failure
3-1-2	Master DMA register failure	4-2-1	No timer tick
3-1-3	Master interrupt mask register failure	4-2-2	Shutdown failure
4-2-3	Gate A20 failure	4-4-1	Serial or parallel port test failure
4-2-4	Unexpected interrupt in protected mode	4-4-2	Failure to decompress code to shadowed memory
4-3-1	Memory failure above address 0FFFFh	4-4-3	Math-coprocessor test failure
4-3-3	Timer-chip counter 2 failure	4-4-4	Cache test failure
4-3-4	Time-of-day clock stopped		

Resolving Software and Hardware Incompatibilities

If a device is either not detected during the operating system setup or is detected but incorrectly configured, you can use the Hardware Troubleshooter to resolve the incompatibility.

- 1 Click the **Start** button and click **Help and Support**.
- 2 Type `hardware troubleshooter` in the **Search** field and click the arrow to start the search.

- 3 Click **Hardware Troubleshooter** in the **Search Results** list.
- 4 In the **Hardware Troubleshooter** list, click **I need to resolve a hardware conflict on my computer**, and click **Next**.

Using Microsoft Windows XP System Restore

The Microsoft Windows XP operating system provides System Restore to allow you to return your computer to an earlier operating state (without affecting data files) if changes to the hardware, software, or other system settings have left the computer in an undesirable operating state. See the Windows Help and Support Center for information on using System Restore. To access the Windows Help and Support Center, see "Windows Help and Support Center" on page 6.



NOTICE: Make regular backups of your data files. System Restore does not monitor your data files or recover them.

Creating a Restore Point

- 1 Click the **Start** button and click **Help and Support**.
- 2 Click **System Restore**.
- 3 Follow the instructions on the screen.

Restoring the Computer to an Earlier Operating State



NOTICE: Before you restore the computer to an earlier operating state, save and close any open files and exit any open programs. Do not alter, open, or delete any files or programs until the system restoration is complete.

- 1 Click the **Start** button, point to **All Programs**→**Accessories**→**System Tools**, and then click **System Restore**.
- 2 Ensure that **Restore my computer to an earlier time** is selected, and click **Next**.
- 3 Click a calendar date to which you want to restore your computer.

The **Select a Restore Point** screen provides a calendar that allows you to see and select restore points. All calendar dates with available restore points appear in boldface type.

- 4 Select a restore point and click **Next**.

If a calendar date has only one restore point, then that restore point is automatically selected. If two or more restore points are available, click the restore point that you prefer.


- 5 Click **Next**.

The **Restoration Complete** screen appears after System Restore finishes collecting data and then the computer restarts.

- 6 After the computer restarts, click **OK**.

To change the restore point, you can either repeat the steps using a different restore point, or you can undo the restoration.

Undoing the Last System Restore

 **NOTICE:** Before you undo the last system restore, save and close all open files and exit any open programs. Do not alter, open, or delete any files or programs until the system restoration is complete.

- 1 Click the **Start** button, point to **All Programs**→**Accessories**→**System Tools**, and then click **System Restore**.
- 2 Click **Undo my last restoration** and click **Next**.
- 3 Click **Next**.

The **System Restore** screen appears and the computer restarts.

- 4 After the computer restarts, click **OK**.


Enabling System Restore

If you reinstall Windows XP with less than 200 MB of free hard-disk space available, System Restore is automatically disabled. To verify that System Restore is enabled:

- 1 Click the **Start** button and click **Control Panel**.
- 2 Click **Performance and Maintenance**.
- 3 Click **System**.
- 4 Click the **System Restore** tab.
- 5 Ensure that **Turn off System Restore** is unchecked.

Reinstalling Microsoft Windows XP


Getting Started

 **NOTE:** The procedures in this document were written for the Windows default view in Windows XP Home Edition, so the steps will differ if you set your Dell computer to the Windows Classic view or are using Windows XP Professional.


If you are considering reinstalling the Windows XP operating system to correct a problem with a newly installed driver, first try using Windows XP Device Driver Rollback.


- 1 Click the **Start** button and click **Control Panel**.
- 2 Under **Pick a Category**, click **Performance and Maintenance**.
- 3 Click **System**.
- 4 In the **System Properties** window, click the **Hardware** tab.
- 5 Click **Device Manager**.
- 6 Right-click the device for which the new driver was installed and click **Properties**.
- 7 Click the **Drivers** tab.
- 8 Click **Roll Back Driver**.

If Device Driver Rollback does not resolve the problem, then use System Restore to return your operating system to the operating state it was in before you installed the new device driver (see "Using Microsoft Windows XP System Restore" on page 54).

 **NOTE:** The *Drivers and Utilities* CD contains drivers that were installed during assembly of the computer. Use the *Drivers and Utilities* CD to load any required drivers, including the drivers required if your computer has a RAID controller.

Reinstalling Windows XP

 **NOTICE:** You must use Windows XP Service Pack 1 or later when you reinstall Windows XP.


 **NOTICE:** Before performing the installation, back up all data files on your primary hard drive. For conventional hard drive configurations, the primary hard drive is the first drive detected by the computer.


To reinstall Windows XP, you need the following items:

- Dell *Operating System* CD
- Dell *Drivers and Utilities* CD

To reinstall Windows XP, perform all the steps in the following sections in the order in which they are listed.

The reinstallation process can take 1 to 2 hours to complete. After you reinstall the operating system, you must also reinstall the device drivers, virus protection program, and other software.

 **NOTICE:** The *Operating System* CD provides options for reinstalling Windows XP. The options can overwrite files and possibly affect programs installed on your hard drive. Therefore, do not reinstall Windows XP unless a Dell technical support representative instructs you to do so.

 **NOTICE:** To prevent conflicts with Windows XP, disable any virus protection software installed on your computer before you reinstall Windows XP. See the documentation that came with the software for instructions.

Booting From the Operating System CD

- 1 Save and close any open files and exit any open programs.
- 2 Insert the *Operating System* CD. Click **Exit** if the **Install Windows XP** message appears.
- 3 Restart the computer.
- 4 Press <F12> immediately after the **DELL** logo appears.

If the operating system logo appears, wait until you see the Windows desktop, and then shut down the computer and try again.

- 5 Press the arrow keys to select **CD-ROM**, and press <Enter>.
- 6 When the **Press any key to boot from CD** message appears, press any key.

Windows XP Setup

- 1 When the **Windows XP Setup** screen appears, press <Enter> to select **To set up Windows now**.
- 2 Read the information on the **Microsoft Windows Licensing Agreement** screen, and press <F8> to accept the license agreement.
- 3 If your computer already has Windows XP installed and you want to recover your current Windows XP data, type **r** to select the repair option, and remove the CD.
- 4 If you want to install a new copy of Windows XP, press <Esc> to select that option.
- 5 Press <Enter> to select the highlighted partition (recommended), and follow the instructions on the screen.

The **Windows XP Setup** screen appears, and the operating system begins to copy files and install the devices. The computer automatically restarts multiple times.



NOTE: The time required to complete the setup depends on the size of the hard drive and the speed of your computer.



NOTICE: Do not press any key when the following message appears: **Press any key to boot from the CD.**

- 6 When the **Regional and Language Options** screen appears, select the settings for your location and click **Next**.
- 7 Enter your name and organization (optional) in the **Personalize Your Software** screen, and click **Next**.
- 8 At the **Computer Name and Administrator Password** window, enter a name for your computer (or accept the one provided) and a password, and click **Next**.
- 9 If the **Modem Dialing Information** screen appears, enter the requested information and click **Next**.
- 10 Enter the date, time, and time zone in the **Date and Time Settings** window, and click **Next**.
- 11 If the **Networking Settings** screen appears, click **Typical** and click **Next**.
- 12 If you are reinstalling Windows XP Professional and you are prompted to provide further information regarding your network configuration, enter your selections. If you are unsure of your settings, accept the default selections.


Windows XP installs the operating system components and configures the computer. The computer automatically restarts.



NOTICE: Do not press any key when the following message appears: **Press any key to boot from the CD.**


- 13 When the **Welcome to Microsoft** screen appears, click **Next**.
- 14 When the **How will this computer connect to the Internet?** message appears, click **Skip**.
- 15 When the **Ready to register with Microsoft?** screen appears, select **No, not at this time** and click **Next**.
- 16 When the **Who will use this computer?** screen appears, you can enter up to five users.
- 17 Click **Next**.

- 18 Click **Finish** to complete the setup, and remove the CD.
- 19 Reinstall the appropriate drivers with the *Drivers and Utilities* CD.
- 20 Reinstall your virus protection software.
- 21 Reinstall your programs.

 **NOTE:** To reinstall and activate your Microsoft Office or Microsoft Works Suite programs, you need the Product Key number located on the back of the Microsoft Office or Microsoft Works Suite CD sleeve.

Using the Drivers and Utilities CD

To use the *Drivers and Utilities* CD (*ResourceCD*) while you are running the Windows operating system.

 **NOTE:** To access device drivers and user documentation, you must use the *Drivers and Utilities* CD while you are running Windows.

- 1 Turn on the computer and allow it to boot to the Windows desktop.
- 2 Insert the *Drivers and Utilities* CD into the CD drive.

If you are using the *Drivers and Utilities* CD for the first time on this computer, the **ResourceCD Installation** window opens to inform you that the *Drivers and Utilities* CD is about to begin installation.

- 3 Click **OK** to continue.

To complete the installation, respond to the prompts offered by the installation program.

- 4 Click **Next** at the **Welcome Dell System Owner** screen.

Select the appropriate **System Model**, **Operating System**, **Device Type**, and **Topic**.

Drivers for Your Computer

To display a list of device drivers for your computer:

- 1 Click **My Drivers** in the **Topic** drop-down menu.

The *Drivers and Utilities* CD (optional) scans your computer's hardware and operating system, and then a list of device drivers for your system configuration is displayed on the screen.

- 2 Click the appropriate driver and follow the instructions to download the driver to your computer.

To view all available drivers for your computer, click **Drivers** from the **Topic** drop-down menu.

Index

B

beep codes, 52

C

CDs

operating system, 6

conflicts

software and hardware
incompatibilities, 53

cover

removing, 24

D

Dell Diagnostics, 46

Dell support site, 7

diagnostics

beep codes, 52

Dell Diagnostics, 46

documentation

End User License
Agreement, 6

ergonomics, 6

online, 7

Product Information Guide, 6

regulatory, 6

safety, 6

User's Guide, 5

warranty, 6

drivers

list of, 58

Drivers and Utilities CD, 5

E

End User License

Agreement, 6

ergonomics information, 6

error messages

beep codes, 52

diagnostic lights, 50

system lights, 49

H

hardware

beep codes, 52

conflicts, 53

Dell Diagnostics, 46

Hardware Troubleshooter, 53

Help and Support Center, 6

help file

Windows Help and Support
Center, 6

I

installing parts

before you begin, 25

IRQ conflicts, 53

L

labels

Microsoft Windows, 7

Service Tag, 7

lights

diagnostic, 50

power, 14, 18

system, 49

M

motherboard. *See* system
board

O

operating system

reinstalling, 6

reinstalling Windows XP, 55

Operating System CD, 6

P

power

light, 14, 18

power light

diagnosing problems with, 49

problems. *See troubleshooting*

Product Information Guide, 6

R

regulatory information, 6

reinstalling

Windows XP, 55

S

safety instructions, 6

Service Tag, 7

software

conflicts, 53

support website, 7

system board, 33, 36, 42

System Restore, 54

T

troubleshooting

beep codes, 52

conflicts, 53

Dell Diagnostics, 46

diagnostic lights, 50

Hardware Troubleshooter, 53

Help and Support Center, 6

restore computer to previous
operating state, 54

system lights, 49

U

User's Guide, 5

W

warranty information, 6

Windows XP

Hardware Troubleshooter, 53

Help and Support Center, 6

reinstalling, 6, 55

setup, 57

System Restore, 54

Dell™ OptiPlex™ 745

Stručná referenční příručka

Modely DCTR, DCNE, DCSM a DCCY

www.dell.com | support.dell.com

Poznámky, upozornění a varování



POZNÁMKA: POZNÁMKA označuje důležité informace, které pomáhají lepšímu využití počítače.



UPOZORNĚNÍ: UPOZORNĚNÍ poukazuje na možnost poškození hardwaru nebo ztráty dat a poskytuje návod, jak se danému problému vyhnout.



VÝSTRAHA: VAROVÁNÍ upozorňuje na potenciální poškození majetku a riziko úrazu nebo smrti.

Pokud jste si zakoupili počítač Dell™ řady n, odkazy na operační systémy Microsoft® Windows® nacházející se v tomto dokumentu nejsou platné.

Změna informací v tomto dokumentu vyhrazena.

© 2006 Dell Inc. Všechna práva vyhrazena.

Jakákoli reprodukce bez předchozího písemného povolení společnosti Dell Inc. je přísně zakázána.

Obchodní značky použité v tomto textu: *Dell*, logo *DELL*, *Inspiron*, *Dell Precision*, *Dimension*, *OptiPlex*, *Latitude*, *PowerEdge*, *PowerVault*, *PowerApp* a *Dell OpenManage* jsou ochranné známky společnosti Dell Inc.; *Intel*, *Pentium* a *Celeron* jsou registrované ochranné známky společnosti Intel Corporation; *Microsoft* a *Windows* jsou registrované ochranné známky společnosti Microsoft Corporation.

Ostatní obchodní značky a názvy mohou být v tomto dokumentu použity buď v souvislosti s organizacemi, které si na tyto značky a názvy činí nárok, nebo s jejich produkty. Společnost Dell Inc. si nečiní nárok na jiné obchodní značky a názvy, než své vlastní.

Modely DCTR, DCNE, DCSM a DCCY

Srpen 2006

Č. dílu FH898 Rev. A00

Obsah


Kde hledat informace	65
Pohledy na počítač	68
Počítač typu minivěž - pohled zepředu	68
Počítač typu minivěž - pohled zezadu	70
Počítač typu minivěž - konektory na zadním panelu	71
Stolní počítač - pohled zepředu	73
Stolní počítač - pohled zezadu	74
Stolní počítač - konektory na zadním panelu	75
Úsporný počítač - pohled zepředu	77
Úsporný počítač - pohled zezadu	78
Úsporný počítač - konektory na zadním panelu	79
Ultra úsporný počítač - pohled zepředu	81
Ultra úsporný počítač - pohled zezadu	82
Ultra úsporný počítač - pohled zezadu	83
Ultra úsporný počítač - konektory na zadním panelu	83
Demontáž krytu počítače	84
Než začnete	85
Počítač typu minivěž	86
Stolní počítač	87
Úsporný počítač	88
Ultra úsporný počítač	90
Uvnitř počítače	92
Počítač typu minivěž	92
Stolní počítač	95
Úsporný počítač	98
Ultra úsporný počítač	101
Instalace počítače	104
Instalace klávesnice a myši	105
Instalace monitoru	105
Připojení napájení	106
Řešení problémů	106
Diagnostický nástroj Dell Diagnostics	106
Systémové indikátory	109

Diagnostické indikátory	110
Zvukové signály	112
Odstraňování nekompatibility softwaru a hardwaru	113
Používání funkce Obnovení systému operačního systému Microsoft Windows XP	114
Nová instalace operačního systému Windows XP	115
Používání disku CD s ovladači a nástroji	118
Ovladače pro počítač	118
Rejstřík	119

Kde hledat informace

POZNÁMKA: Některé funkce nebo média jsou doplňková a nemusela být s tímto počítačem dodána. Některé funkce nebo média pravděpodobně nebudou v některých zemích k dispozici.

POZNÁMKA: Dodatečné informace byly pravděpodobně dodány s počítačem.

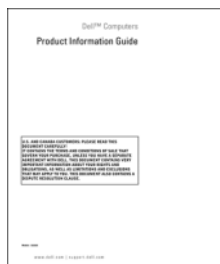
Hledané informace	Kde je naleznete
<ul style="list-style-type: none"> • Diagnostický program pro počítač • Ovladače pro počítač • Dokumentace k počítači • Dokumentace k zařízení • Software DSS (Desktop System Software) 	<p>Disk CD s ovladači a nástroji (zdrojový disk CD)</p> <p>POZNÁMKA: Disk CD s <i>ovladači a nástroji</i> je doplňkový a nemusel být s tímto počítačem dodán.</p> <p>Dokumentace a ovladače jsou již v počítači nainstalovány. Ovladače můžete znovu nainstalovat z disku CD (viz „Používání disku CD s ovladači a nástroji“ na straně 118), spusťte diagnostický nástroj Dell Diagnostics (viz „Diagnostický nástroj Dell Diagnostics“ na straně 106) nebo přejděte na dokumentaci.</p> <p>Disk CD může obsahovat soubory Readme, které poskytují nejaktuálnější informace o technických změnách počítače nebo rozšířené technické referenční materiály pro technické pracovníky a pokročilé uživatele.</p>  <p>POZNÁMKA: Nejnovější ovladače a aktualizace dokumentace jsou k dispozici na webu support.dell.com.</p>
<ul style="list-style-type: none"> • Odstraňování a výměna součástí • Technické údaje • Konfigurace systému • Odstraňování a řešení problémů 	<p>Uživatelská příručka Dell™ OptiPlex™</p> <p><i>Nápověda a odborná pomoc pro operační systém Microsoft Windows XP</i></p> <p>1 Klepněte na tlačítko Start → Nápověda a odborná pomoc → Uživatelské a systémové příručky Dell → Systémové příručky.</p> <p>2 Klepněte na <i>Příručka uživatele</i> pro váš počítač.</p> <p>Na doplňkovém disku CD s <i>ovladači a nástroji</i> je rovněž k dispozici <i>Příručka uživatele</i>.</p>

Hledané informace

- Informace o záruce
- Podmínky (jen USA)
- Bezpečnostní pokyny
- Informace o předpisech
- Informace o ergonomii
- Licenční smlouva s koncovým uživatelem

Kde je naleznete

Informační příručka produktu Dell™



-
- Nová instalace operačního systému

Disk CD s operačním systémem

POZNÁMKA: Disk CD s *operačním systémem* je volitelný a nemusel být s tímto počítačem dodán.

Operační systém je již v počítači nainstalován. Chcete-li znovu nainstalovat operační systém, použijte disk CD s *operačním systémem* (viz „Nová instalace operačního systému Windows XP“ na straně 115).



Po nové instalaci operačního systému použijte volitelný disk CD s *ovladači a nástroji (zdrojový CD)* pro novou instalaci ovladačů zařízení dodaných s počítačem. Více informací najdete v části „Disk CD s ovladači a nástroji (zdrojový disk CD)“ na straně 65.

Kód Product Key operačního systému je umístěn na počítači (viz „Servisní štítek a kód Product Key Microsoft® Windows®“ na straně 67).

POZNÁMKA: Barva disku CD s *operačním systémem* se liší podle objednaného operačního systému.

-
- Práce se systémem Windows XP
 - Jak pracovat s programy a soubory
 - Jak přizpůsobit pracovní plochu

Centrum pro nápovědu a odbornou pomoc Windows

- 1 Klepněte na tlačítko **Start** → **Nápověda a odborná pomoc**.
- 2 Napište slovo nebo frázi popisující vzniklé potíže a klepněte na ikonu se šipkou.
- 3 Klepněte na téma popisující vaše potíže.
- 4 Postupujte podle pokynů na obrazovce.

Hledané informace

- Servisní štítek a kód expresní služby
- Štítek s kódem Product Key Microsoft Windows

Kde je naleznete

Servisní štítek a kód Product Key Microsoft® Windows®

Štítky jsou umístěny na vašem počítači.

- Při používání webu support.dell.com nebo kontaktování podpory použijte servisní štítek k identifikaci počítače.
- Zadejte heslo expresní služby, aby vaše volání mohlo být při kontaktování podpory přeměřováno.



- Řešení – tipy a rady pro odstraňování problémů, články odborníků, školení online a časté dotazy
- Veřejnost – Diskuse online s ostatními zákazníky společnosti Dell
- Upgrady - informace o upgradech komponent, například paměti, pevného disku a operačního systému
- Péče o zákazníky – kontaktní informace, servisní volání a stav objednávky, záruka a informace o opravách
- Servis a podpora – stav servisního požadavku a historie odborné podpory, servisní kontrakt, diskuze online s odbornou podporou
- Reference – dokumentace k počítači, podrobnosti o individuální konfiguraci počítače, specifikace produktů a oficiální dokumenty
- Soubory ke stažení – certifikované ovladače, opravy a aktualizace softwaru
- Software DSS (Desktop System Software) – Pokud znovu nainstalujete operační systém v počítači, musíte také znovu nainstalovat nástroj DSS. Software DSS automaticky rozpozná počítač a operační systém a nainstaluje aktualizace, které odpovídají individuální konfiguraci, a zajišťuje důležité aktualizace operačního systému, podporu disketových jednotek 3,5" USB Dell™, procesorů Intel®, optických jednotek a zařízení USB. Software DSS je nezbytný pro správnou funkci vašeho počítače Dell.

Web podpory Dell – support.dell.com

POZNÁMKA: Po vybrání oblasti nebo obchodního segmentu se zobrazí příslušná stránka odborné pomoci.

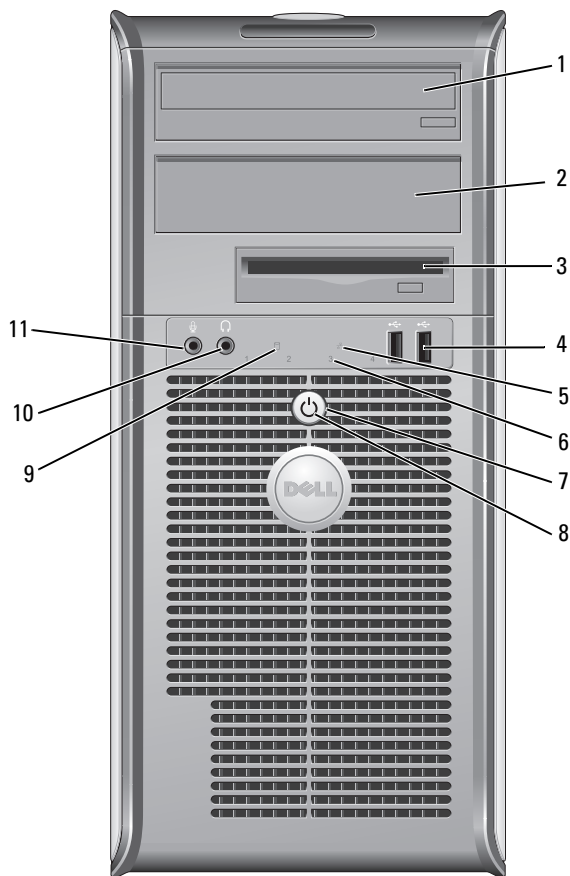
Stahování softwaru Desktop System Software:

- 1 Přejděte na web support.dell.com, vyberte region nebo obchodní segment a zadejte servisní štítek.
- 2 Vyberte položku **Drivers & Downloads** (Ovladače a soubory ke stažení) a klepněte na tlačítko **Go** (Přejít).
- 3 Klepněte na váš operační systém a hledejte klíčové slovo *Desktop System Software*.

POZNÁMKA: Uživatelské rozhraní webu support.dell.com se může lišit v závislosti na provedených výběrech.


Pohledy na počítač


Počítač typu minivěž - pohled zepředu



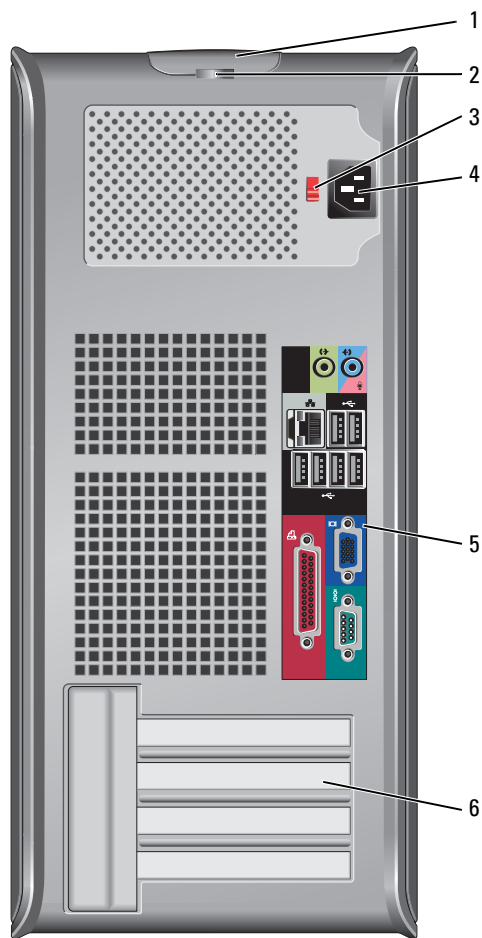
- | | | |
|----|----------------------------------|---|
| 1 | Pozice pro jednotku 5,25" | Může obsahovat optickou jednotku. Vložte disk CD nebo DVD (je-li podporován) do této jednotky. |
| 2 | Pozice pro jednotku 5,25" | Může obsahovat optickou jednotku. Vložte disk CD nebo DVD (je-li podporován) do této jednotky. |
| 3 | Pozice pro jednotku 3,5" | Může obsahovat volitelnou disketovou jednotku nebo volitelnou čtečku paměťových karet. |
| 4 | konektory USB 2.0 (2) | Ke konektorům USB na přední straně počítače připojte zařízení, která používáte občas, například pákové ovladače nebo fotoaparáty nebo pro spustitelná zařízení USB (další informace o spuštění zařízení USB najdete v <i>Příručka uživatele</i> online).

Zařízení, která běžně zůstávají připojená (například tiskárny nebo klávesnice), doporučujeme připojit k zadním konektorům USB. |
| 5 | indikátor místní sítě LAN | Tento indikátor ukazuje, že bylo navázáno připojení k místní síti LAN. |
| 6 | diagnostické indikátory | Pomocí diagnostických kódů těchto indikátorů můžete odstraňovat problémy s počítačem. Více informací najdete v části „Diagnostické indikátory“ na straně 110. |
| 7 | tlačítko napájení | Stisknutím tohoto tlačítka zapnete počítač.

 UPOZORNĚNÍ: Aby se zabránilo ztrátě dat, nevypínejte počítač stisknutím vypínače. Místo toho řádně ukončete operační systém. Další informace naleznete v části „Než začnete“ na straně 85.

 UPOZORNĚNÍ: Pokud operační systém podporuje rozhraní ACPI, po stisknutí vypínače počítač provede řádné ukončení operačního systému. |
| 8 | indikátor napájení | Blikáním a svícením signalizuje indikátor napájení různé provozní stavy: <ul style="list-style-type: none"> • Nesvítí – počítač je vypnutý. • Svítí zeleně – počítač je zapnutý a pracuje normálně. • Bliká zeleně – počítač se nachází v úsporném režimu. • Bliká nebo svítí oranžově – viz <i>uživatelská příručka</i> online. <p>Chcete-li ukončit úsporný režim, stiskněte vypínač nebo použijte klávesnici nebo myš (pokud jsou tato zařízení ve Správci zařízení systému Windows nakonfigurována pro buzení). Další informace o režimech spánku a ukončování úsporného režimu najdete v části v <i>Příručka uživatele</i> online.</p> <p>V části „Systémové indikátory“ na straně 109 jsou popsány kódy indikátorů, které vám mohou pomoci při odstraňování problémů s počítačem.</p> |
| 9 | indikátor činnosti pevného disku | Tento indikátor bliká během přístupu k pevnému disku. |
| 10 | konektor pro sluchátka | Ke konektoru sluchátek můžete připojit sluchátka a většinu typů reproduktorů. |
| 11 | konektor pro mikrofon | Ke konektoru mikrofonu můžete připojit mikrofon. |

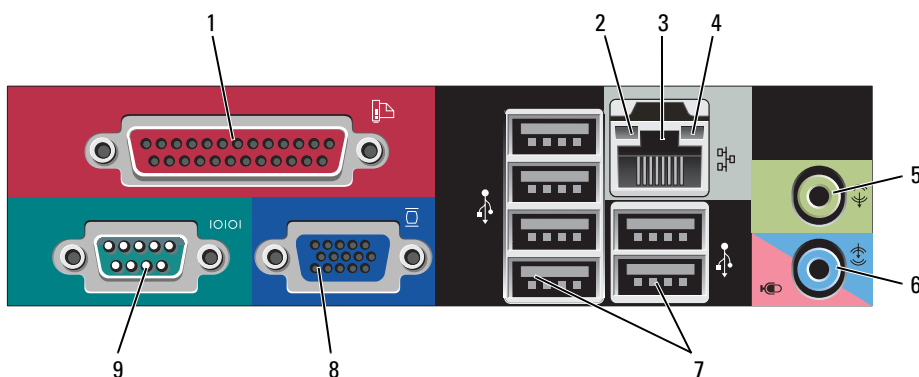
Počítač typu minivěž - pohled zezadu



- 1 západka pro uvolnění baterie Tato západka slouží k otevření krytu počítače.
- 2 kroužek zámku Nasad'te kladku a zamkněte kryt počítače.

- | | | |
|---|----------------------------|--|
| 3 | přepínač napětí | <p>Tento počítač je vybaven ručním přepínačem napětí.</p> <p>Aby se zabránilo poškození počítače ručním přepínačem napětí, nastavte jej na napětí, které co nejvíce odpovídá střídavému proudu (AC), který je v místě k dispozici.</p> <p>➡ UPOZORNĚNÍ: V Japonsku musí být přepínač napětí nastaven v poloze 115-V, ačkoli je v této zemi k dispozici střídavý proud o napětí 100 V.</p> <p>Také zkontrolujte, zda jmenovité napětí monitoru a připojených zařízení odpovídá napětí střídavého proudu, který je ve vaší oblasti k dispozici.</p> |
| 4 | konektor napájení | Připojte napájecí kabel. |
| 5 | konektory na zadním panelu | K příslušnému konektoru připojte sériová zařízení, zařízení USB a další zařízení (viz „Počítač typu minivěž - konektory na zadním panelu“ na straně 71). |
| 6 | patice pro karty | Můžete přistupovat ke konektorům všech nainstalovaných karet PCI a PCI Express. |

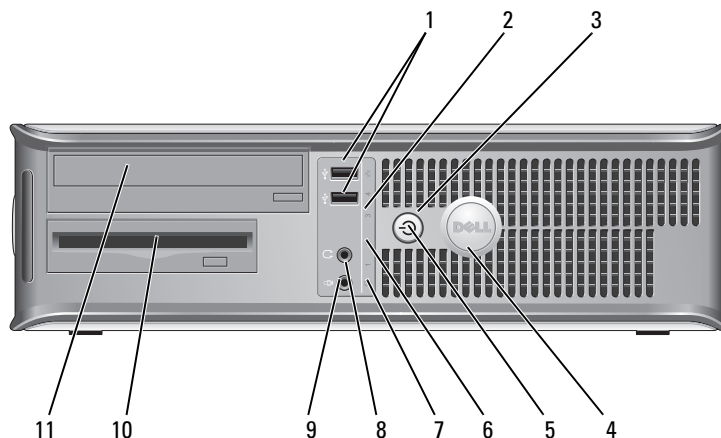
Počítač typu minivěž - konektory na zadním panelu



- | | | |
|---|---------------------------|--|
| 1 | paralelní konektor | <p>K paralelnímu portu počítače připojte paralelní zařízení, jako například tiskárnu. Máte-li k dispozici tiskárnu USB, připojte ji ke konektoru USB.</p> <p>POZNÁMKA: Jestliže počítač rozpozná nainstalovanou kartu s paralelním konektorem, který je nakonfigurován na stejnou adresu, bude integrovaný paralelní konektor automaticky zakázán. Další informace najdete v části v Příručka uživatele online.</p> |
| 2 | indikátor integrity linky | <ul style="list-style-type: none"> • Zelená - Mezi sítí 10 Mb/s a počítačem existuje dobré spojení. • Oranžová - Mezi sítí 100 Mb/s a počítačem existuje dobré spojení. • žlutá - Mezi sítí 1000 Mb/s (1 Gb/s) a počítačem existuje dobré spojení. • Nesvítí - Počítač nerozpoznal fyzické připojení k síti. |

- 3 konektor síťového adaptéru
 Chcete-li připojit počítač k síťovému nebo širokopásmovému zařízení, připojte jeden konec síťového kabelu k síťové zásuvce nebo k síťovému nebo širokopásmovému zařízení. Druhý konec síťového kabelu připojte ke konektoru síťového adaptéru na zadním panelu počítače. Pro správné připojení je třeba síťový kabel zacvaknout.
POZNÁMKA: K síťovému konektoru nepřipojujte telefonní kabel.
 U počítačů s kartou se síťovým konektorem použijte konektor na kartě.
 Pro síťovou kabeláž doporučujeme použít kabely a konektory kategorie 5. Pro zajištění spolehlivého provozu 10 Mb/s musíte použít kabeláž kategorie 3.
- 4 indikátor aktivity sítě
 Bliká žlutě, když počítač přijímá nebo vysílá síťová data. Při intenzivním síťovém provozu se může zdát, že tento indikátor takřka svítí.
- 5 konektor linkového výstupu
 K zelenému výstupnímu linkovému konektoru můžete připojit většinu reproduktorových soustav se zabudovaným zesilovačem.
- 6 konektor linkového vstupu/mikrofonu
 K modrému vstupnímu linkovému konektoru připojte zařízení pro nahrávání/přehrávání, například magnetofon, přehrávač CD nebo videorekordér; nebo počítačový mikrofon jako zdroj hlasu a hudby pro zvukový nebo telefonický program.
- 7 konektory USB 2.0 (6)
 Zařízení, která běžně zůstávají připojená (například tiskárny nebo klávesnice), doporučujeme připojit k zadním konektorům USB.
- 8 konektor zobrazovacího zařízení
 Připojte kabel od monitoru VGA k modrému konektoru.
POZNÁMKA: Pokud jste zakoupili doplňkovou grafickou kartu, bude tento konektor opatřen chráničkou. Připojte monitor ke konektoru na grafické kartě. Neodstraňujte chráničku.
POZNÁMKA: Používáte-li grafickou kartu, která podporuje duální monitory, použijte rozdvojku, která byla dodána s počítačem.
- 9 konektor sériového rozhraní
 K sériovému portu připojte některé sériové zařízení, například příruční počítač. Výchozí přiřazení je COM1 pro sériový konektor 1 a COM2 pro sériový konektor 2.
 Další informace najdete v *Příručka uživatele* online.

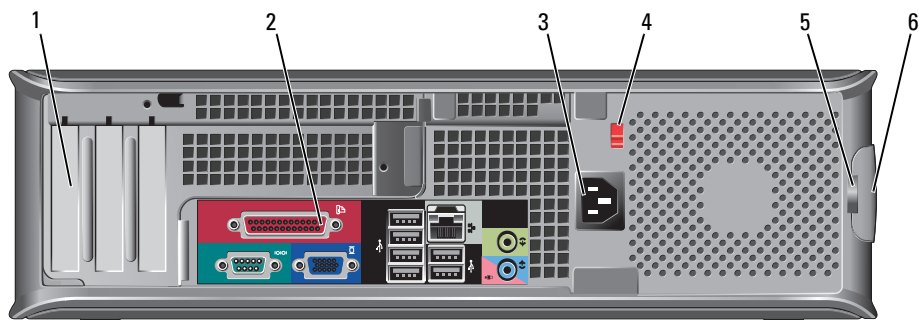
Stolní počítač - pohled zepředu



- 1 konektory USB 2.0 (2) Ke konektorům USB na přední straně počítače připojte zařízení, která používáte občas, například pákové ovladače nebo fotoaparáty nebo pro spustitelná zařízení USB (další informace o spuštění zařízení USB najdete v Příručka uživatele online).
Zařízení, která běžně zůstávají připojená (například tiskárny nebo klávesnice), doporučujeme připojit k zadním konektorům USB.
- 2 indikátor místní sítě LAN Tento indikátor ukazuje, že bylo navázáno připojení k místní síti LAN.
- 3 tlačítko napájení Stisknutím tohoto tlačítka zapnete počítač.
➔ UPOZORNĚNÍ: Aby se zabránilo ztrátě dat, nevypínejte počítač stisknutím vypínače. Místo toho řádně ukončete operační systém. Další informace naleznete v části „Než začnete“ na straně 85.
➔ UPOZORNĚNÍ: Pokud operační systém podporuje rozhraní ACPI, po stisknutí vypínače počítač provede řádné ukončení operačního systému.
- 4 Štítek Dell Tento štítek je možné natočit tak, aby odpovídal poloze počítače. Chcete-li štítek natočit, položte prsty na vnější okraj štítku, zatlačte a štítek natočte. Štítek lze rovněž natočit pomocí štěrbinu u dolní části štítku.

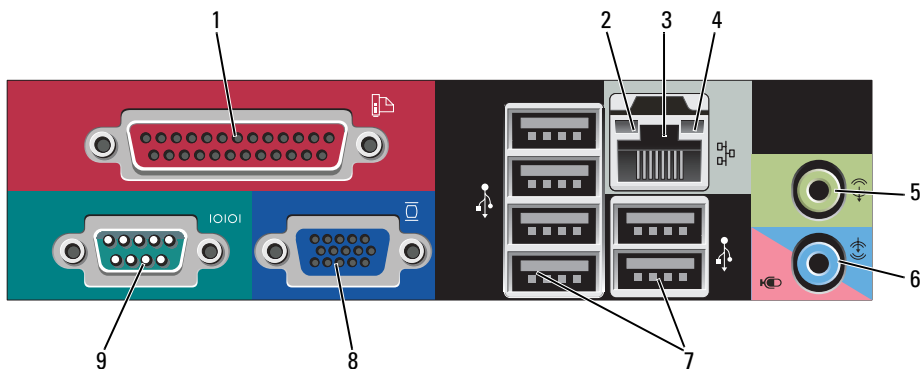
- | | | |
|----|----------------------------------|--|
| 5 | indikátor napájení | <p>Blikáním a svícením signalizuje indikátor napájení různé provozní stavy:</p> <ul style="list-style-type: none"> • Nesvítí – počítač je vypnutý. • Svítí zeleně – počítač je zapnutý a pracuje normálně. • Bliká zeleně – počítač se nachází v úsporném režimu. • Bliká nebo svítí oranžově – viz <i>Příručka uživatele</i> online. <p>Chcete-li ukončit úsporný režim, stiskněte vypínač nebo použijte klávesnici nebo myš (pokud jsou tato zařízení ve Správci zařízení systému Windows nakonfigurována pro buzení). Další informace o režimech spánku a ukončování úsporného režimu najdete v části v <i>Příručka uživatele</i> online.</p> <p>V části „Systémové indikátory“ na straně 109 jsou popsány kódy indikátorů, které vám mohou pomoci při odstraňování problémů s počítačem.</p> |
| 6 | diagnostické indikátory | <p>Pomocí diagnostických kódů těchto indikátorů můžete odstraňovat problémy s počítačem. Další informace najdete v části „Diagnostické indikátory“ na straně 110.</p> |
| 7 | indikátor činnosti pevného disku | <p>Tento indikátor bliká během přístupu k pevnému disku.</p> |
| 8 | konektor pro sluchátka | <p>Ke konektoru sluchátek můžete připojit sluchátka a většinu typů reproduktorů.</p> |
| 9 | konektor pro mikrofon | <p>Ke konektoru mikrofonu můžete připojit mikrofon.</p> |
| 10 | Pozice pro jednotku 3,5" | <p>Může obsahovat volitelnou disketovou jednotku nebo volitelnou čtečku paměťových karet.</p> |
| 11 | Pozice pro jednotku 5,25" | <p>Může obsahovat optickou jednotku. Vložte disk CD nebo DVD (je-li podporován) do této jednotky.</p> |

Stolní počítač - pohled zezadu



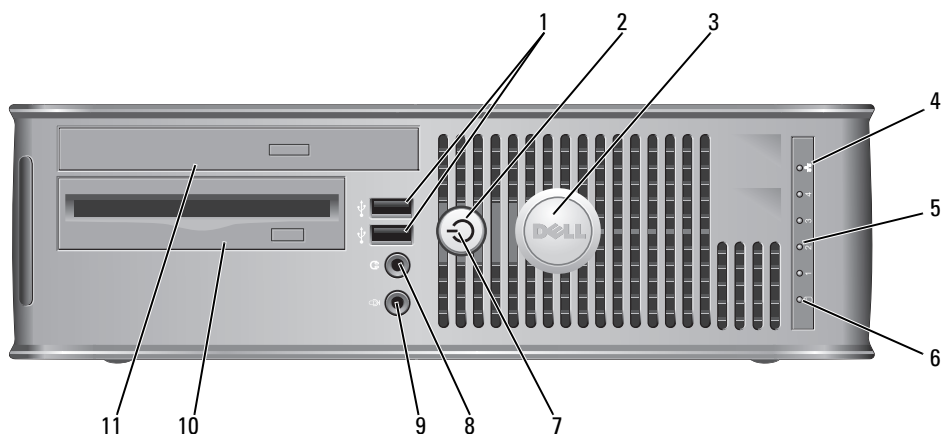
- | | | |
|---|------------------------------|--|
| 1 | patice pro karty | Můžete přistupovat ke konektorům všech nainstalovaných karet PCI a PCI Express. |
| 2 | konektory na zadním panelu | K příslušným konektorům připojte sériová zařízení, zařízení USB a další zařízení (viz „Stolní počítač - konektory na zadním panelu“ na straně 75). |
| 3 | konektor napájení | Připojte napájecí kabel. |
| 4 | přepínač napětí | Tento počítač je vybaven ručním přepínačem napětí.
Abyste přepínačem pro ruční výběr napětí nepoškodili počítač, nastavte přepínač na napětí, které se nejvíce shoduje s napájením střídavého proudu v daném místě.
➔ UPOZORNĚNÍ: V Japonsku musí být přepínač napětí nastaven v poloze 115-V, ačkoli je v této zemi k dispozici střídavý proud o napětí 100 V.
Také zkontrolujte, zda jmenovité napětí monitoru a připojených zařízení odpovídá napětí střídavého proudu, který je ve vaší oblasti k dispozici. |
| 5 | kroužek zámku | Nasad'te kladku a zamkněte kryt počítače. |
| 6 | západka pro uvolnění baterie | Slouží k otevření krytu počítače. |

Stolní počítač - konektory na zadním panelu



- | | | |
|---|-------------------------------------|--|
| 1 | paralelní konektor | <p>K paralelnímu portu počítače připojte paralelní zařízení, jako například tiskárnu. Máte-li k dispozici tiskárnu USB, připojte ji ke konektoru USB.</p> <p>POZNÁMKA: Jestliže počítač rozpozná nainstalovanou kartu s paralelním konektorem, který je nakonfigurován na stejnou adresu, bude integrovaný paralelní konektor automaticky zakázán. Další informace najdete v části v <i>Příručka uživatele</i> online.</p> |
| 2 | indikátor integrity linky | <ul style="list-style-type: none"> • Zelená – Mezi sítí 10 Mb/s a počítačem existuje dobré spojení. • Oranžová – Mezi sítí 100 Mb/s a počítačem existuje dobré spojení. • žlutá – Mezi sítí 1000 Mb/s (1 Gb/s) a počítačem existuje dobré spojení. • Nesvítil – Počítač nerozpoznal fyzické připojení k síti. |
| 3 | konektor síťového adaptéru | <p>Chcete-li připojit počítač k síťovému nebo širokopásmovému zařízení, připojte jeden konec síťového kabelu k síťové zásuvce nebo k síťovému nebo širokopásmovému zařízení. Druhý konec síťového kabelu připojte ke konektoru síťového adaptéru na zadním panelu počítače. Pro správné připojení je třeba síťový kabel zacvaknout.</p> <p>POZNÁMKA: K síťovému konektoru nepřipojujte telefonní kabel.</p> <p>U počítačů s kartou se síťovým konektorem použijte konektor na kartě.</p> <p>Pro síťovou kabeláž doporučujeme použít kabely a konektory kategorie 5. Pro zajištění spolehlivého provozu 10 Mb/s musíte použít kabeláž kategorie 3.</p> |
| 4 | indikátor aktivity sítě | <p>Bliká žlutě, když počítač přijímá nebo vysílá síťová data. Při intenzivním síťovém provozu se může zdát, že tento indikátor takřka svítí.</p> |
| 5 | konektor linkového výstupu | <p>K zelenému výstupnímu linkovému konektoru můžete připojit většinu reproduktorových soustav se zabudovaným zesilovačem.</p> |
| 6 | konektor linkového vstupu/mikrofonu | <p>K modrému vstupnímu linkovému konektoru připojte zařízení pro nahrávání/přehrávání, například magnetofon, přehrávač CD nebo videorekordér; nebo počítačový mikrofon jako zdroj hlasu a hudby pro zvukový nebo telefonický program.</p> |
| 7 | konektory USB 2.0 (6) | <p>Zařízení, která běžně zůstávají připojená (například tiskárny nebo klávesnice), doporučujeme připojit k zadním konektorům USB.</p> |
| 8 | konektor zobrazovacího zařízení | <p>Připojte kabel od monitoru VGA k modrému konektoru.</p> <p>POZNÁMKA: Pokud jste zakoupili doplňkovou grafickou kartu, bude tento konektor opatřen chráničkou. Připojte monitor ke konektoru na grafické kartě. Neodstraňujte chráničku.</p> <p>POZNÁMKA: Používáte-li grafickou kartu, která podporuje duální monitory, použijte rozdělovač, která byla dodána s počítačem.</p> |
| 9 | konektor sériového rozhraní | <p>K sériovému portu připojte některé sériové zařízení, například příruční počítač. Výchozí přiřazení je COM1 pro sériový konektor 1 a COM2 pro sériový konektor 2.</p> <p>Další informace najdete v <i>Příručka uživatele</i> online.</p> |

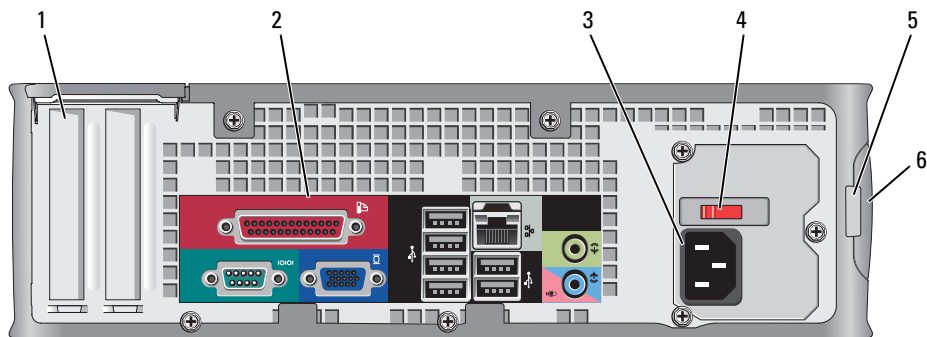
Úsporný počítač - pohled zepředu



- | | | |
|---|----------------------------------|---|
| 1 | konektory USB 2.0 (2) | Ke konektorům USB na přední straně počítače připojte zařízení, která používáte občas, například pákové ovladače nebo fotoaparáty nebo pro spustitelná zařízení USB (další informace o spuštění zařízení USB najdete v Příručce uživatele online).
Zařízení, která běžně zůstávají připojená (například tiskárny nebo klávesnice), doporučujeme připojit k zadním konektorům USB. |
| 2 | tlačítko napájení | Stisknutím zapnete počítač.
➔ UPOZORNĚNÍ: Aby se zabránilo ztrátě dat, nevyplínejte počítač stisknutím vypínače. Místo toho řádně ukončete operační systém. Další informace naleznete v části „Než začnete“ na straně 85.
➔ UPOZORNĚNÍ: Pokud operační systém podporuje rozhraní ACPI, po stisknutí vypínače počítač provede řádné ukončení operačního systému. |
| 3 | Štítek Dell | Lze jej natočit tak, aby odpovídal poloze počítače. Chcete-li štítek natočit, položte prsty na vnější okraj štítku, zatlačte a štítek natočte. Štítek lze rovněž natočit pomocí štěrbin u dolní části štítku. |
| 4 | indikátor místní sítě LAN | Ukazuje, že bylo navázáno připojení k místní síti LAN. |
| 5 | diagnostické indikátory | Pomocí diagnostických kódů těchto indikátorů můžete odstraňovat problémy s počítačem. Více informací najdete v části „Diagnostické indikátory“ na straně 110. |
| 6 | indikátor činnosti pevného disku | Tento indikátor bliká během přistupování k pevnému disku. |

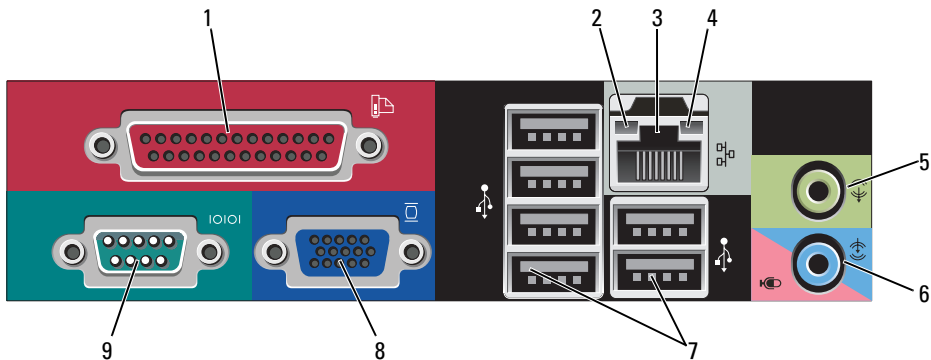
- | | | |
|----|---------------------------|---|
| 7 | indikátor napájení | <p>Blikáním a svícením signalizuje indikátor napájení různé provozní stavy:</p> <ul style="list-style-type: none"> • Nesvítí – počítač je vypnutý. • Svítí zeleně – počítač je zapnutý a pracuje normálně. • Bliká zeleně – počítač se nachází v úsporném režimu. • Bliká nebo svítí oranžově – viz uživatelská příručka online. <p>Chcete-li ukončit úsporný režim, stiskněte vypínač nebo použijte klávesnici nebo myš (pokud jsou tato zařízení ve Správci zařízení systému Windows nakonfigurována pro buzení). Další informace o režimech spánku a ukončování úsporného režimu najdete v části v <i>Příručka uživatele</i> online.</p> <p>V části „Systémové indikátory“ na straně 109 jsou popsány kódy indikátorů, které vám mohou pomoci při odstraňování problémů s počítačem.</p> |
| 8 | konektor pro sluchátka | Ke konektoru sluchátek můžete připojit sluchátka a většinu typů reproduktorů. |
| 9 | konektor pro mikrofon | Ke konektoru mikrofonu můžete připojit mikrofon. |
| 10 | Pozice pro jednotku 3,5" | Může obsahovat volitelnou disketovou jednotku nebo volitelnou čtečku paměťových karet. |
| 11 | Pozice pro jednotku 5,25" | Může obsahovat optickou jednotku. Vložte disk CD nebo DVD (je-li podporován) do této jednotky. |

Úsporný počítač - pohled zezadu



- | | | |
|---|-------------------------------------|--|
| 1 | patice pro karty | Můžete přistupovat ke konektorům všech nainstalovaných karet PCI a PCI Express. |
| 2 | konektory na zadním panelu | K příslušným konektorům připojte sériová zařízení, zařízení USB a další zařízení (viz „Úsporný počítač - konektory na zadním panelu“ na straně 79). |
| 3 | konektor napájení | Připojte napájecí kabel. |
| 4 | přepínač napětí | Tento počítač je vybaven ručním přepínačem napětí.
Abyste přepínačem pro ruční výběr napětí nepoškodili počítač, nastavte přepínač na napětí, které se nejvíce shoduje s napájením střídavého proudu v daném místě.
➔ UPOZORNĚNÍ: V Japonsku musí být přepínač napětí nastaven v poloze 115-V, ačkoli je v této zemi k dispozici střídavý proud o napětí 100 V.
Také zkontrolujte, zda jmenovité napětí monitoru a připojených zařízení odpovídá napětí střídavého proudu, který je ve vaší oblasti k dispozici. |
| 5 | kroužek zámku | Nasad'te kladku a zamkněte kryt počítače. |
| 6 | západka pro uvolnění krytu počítače | Slouží k otevření krytu skříně počítače. |

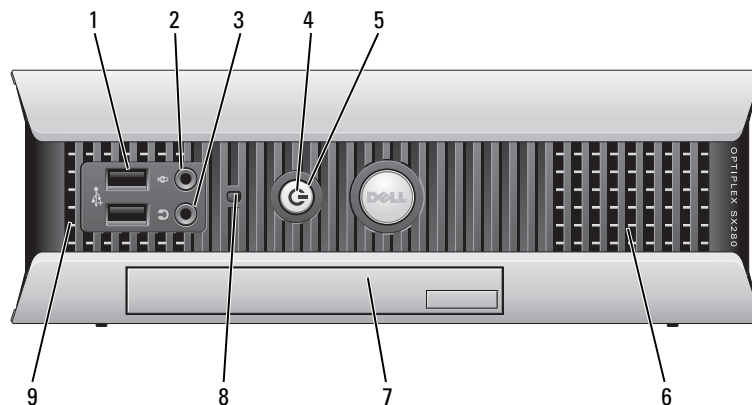
Úsporný počítač - konektory na zadním panelu



- | | | |
|---|-------------------------------------|--|
| 1 | paralelní konektor | <p>K paralelnímu portu počítače připojte paralelní zařízení, jako například tiskárnu. Máte-li k dispozici tiskárnu USB, připojte ji ke konektoru USB.</p> <p>POZNÁMKA: Jestliže počítač rozpozná nainstalovanou kartu s paralelním konektorem, který je nakonfigurován na stejnou adresu, bude integrovaný paralelní konektor automaticky zakázán. Další informace najdete v části v <i>Příručka uživatele</i> online.</p> |
| 2 | indikátor integrity linky | <ul style="list-style-type: none"> • Zelená – Mezi sítí 10 Mb/s a počítačem existuje dobré spojení. • Oranžová – Mezi sítí 100 Mb/s a počítačem existuje dobré spojení. • žlutá – Mezi sítí 1000 Mb/s (1 Gb/s) a počítačem existuje dobré spojení. • Nesvítlí – Počítač nerozpoznal fyzické připojení k síti. |
| 3 | konektor síťového adaptéru | <p>Chcete-li připojit počítač k síťovému nebo širokopásmovému zařízení, připojte jeden konec síťového kabelu k síťové zásuvce nebo k síťovému nebo širokopásmovému zařízení. Druhý konec síťového kabelu připojte ke konektoru síťového adaptéru na zadním panelu počítače. Pro správné připojení je třeba síťový kabel zacvaknout.</p> <p>POZNÁMKA: K síťovému konektoru nepřipojujte telefonní kabel.</p> <p>U počítačů s kartou se síťovým konektorem použijte konektor na kartě.</p> <p>Pro síťovou kabeláž doporučujeme použít kabely a konektory kategorie 5. Pro zajištění spolehlivého provozu 10 Mb/s musíte použít kabeláž kategorie 3.</p> |
| 4 | indikátor aktivity sítě | <p>Bliká žlutě, když počítač přijímá nebo vysílá síťová data. Při intenzivním síťovém provozu se může zdát, že tento indikátor takřka svítí.</p> |
| 5 | konektor linkového výstupu | <p>K zelenému výstupnímu linkovému konektoru (k dispozici u počítačů s integrovaným zvukem) můžete připojit většinu reproduktorových soustav se zabudovaným zesilovačem.</p> |
| 6 | konektor linkového vstupu/mikrofonu | <p>K modrému vstupnímu linkovému konektoru (k dispozici u počítačů s integrovaným zvukem) připojte zařízení pro nahrávání/přehrávání, například magnetofon, přehrávač CD nebo videorekordér; nebo počítačový mikrofon jako zdroj hlasu a hudby pro zvukový nebo telefonický program.</p> |
| 7 | konektory USB 2.0 (6) | <p>Zařízení, která běžně zůstávají připojená (například tiskárny nebo klávesnice), doporučujeme připojit k zadním konektorům USB.</p> |

- 8 konektor zobrazovacího zařízení Připojte kabel od monitoru VGA k modrému konektoru.
POZNÁMKA: Pokud jste zakoupili doplňkovou grafickou kartu, bude tento konektor opatřen chráničkou. Připojte monitor ke konektoru na grafické kartě. Neodstraňujte chráničku.
POZNÁMKA: Používáte-li grafickou kartu, která podporuje duální monitory, použijte rozdělovač, která byla dodána s počítačem.
- 9 konektor sériového rozhraní K sériovému portu připojte některé sériové zařízení, například příruční počítač. Výchozí přiřazení je COM1 pro sériový konektor 1 a COM2 pro sériový konektor 2.
 Další informace najdete v *Příručka uživatele* online.

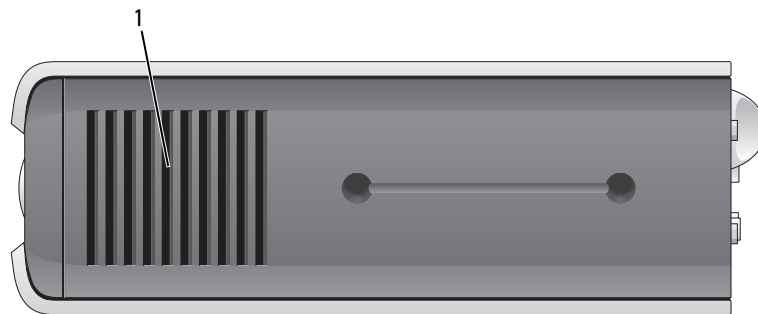
Ultra úsporný počítač - pohled zepředu



- 1 konektory USB (2) Ke konektorům USB na přední straně počítače připojte zařízení, která používáte občas, například pákové ovladače nebo fotoaparáty nebo pro spustitelná zařízení USB (další informace o spuštění zařízení USB najdete v *Příručka uživatele* online).
 Zařízení, která běžně zůstávají připojená (například tiskárny nebo klávesnice), doporučujeme připojit k zadním konektorům USB.
- 2 konektor pro sluchátka Ke konektoru sluchátek můžete připojit sluchátka a většinu typů reproduktorů.
- 3 konektor pro mikrofon Ke konektoru mikrofonu můžete připojit mikrofon.

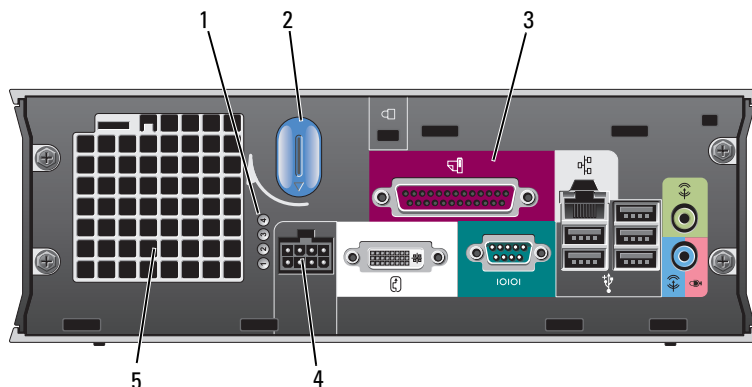
- 4 indikátor napájení Blikáním a svícením signalizuje indikátor napájení různé stavy:
- Nesvítlí – počítač je vypnutý.
 - Svítí zeleně – počítač je zapnutý a pracuje normálně.
 - Bliká zeleně – počítač se nachází v úsporném režimu.
 - Bliká nebo svítí žlutě – viz uživatelská příručka online.
- Chcete-li ukončit úsporný režim, stiskněte vypínač nebo použijte klávesnici nebo myš (pokud jsou tato zařízení ve Správci zařízení systému Windows nakonfigurována pro buzení). Další informace o režimech spánku a ukončování úsporného režimu najdete v části v *Příručka uživatele* online.
- V části „Systémové indikátory“ na straně 109 jsou popsány kódy indikátorů, které vám mohou pomoci při odstraňování problémů s počítačem.
- 5 tlačítko napájení Stisknutím tohoto tlačítka zapnete počítač.
- ➡ UPOZORNĚNÍ:** Aby se zabránilo ztrátě dat, nevypínejte počítač stisknutím vypínače. Místo toho řádně ukončete operační systém. Další informace naleznete v části „Než začnete“ na straně 85.
- 6 větrací otvory Větrací otvory pomáhají zabránit přehřátí počítače. Pro zajištění správné ventilace tyto chladicí větrací otvory neblokujte.
- 7 přihrádka pro modul Do modulární pozice můžete nainstalovat optickou jednotku D-module, druhý pevný disk nebo disketovou jednotku.
- 8 indikátor přístupu na pevný disk Indikátor přístupu na pevný disk se rozsvítí, když počítač načítá nebo zapisuje data na pevný disk. Tento indikátor také může svítit při používání některých zařízení, například přehrávače CD.
- 9 větrací otvory Větrací otvory pomáhají zabránit přehřátí počítače. Pro zajištění správné ventilace tyto chladicí větrací otvory neblokujte.

Ultra úsporný počítač - pohled zezadu



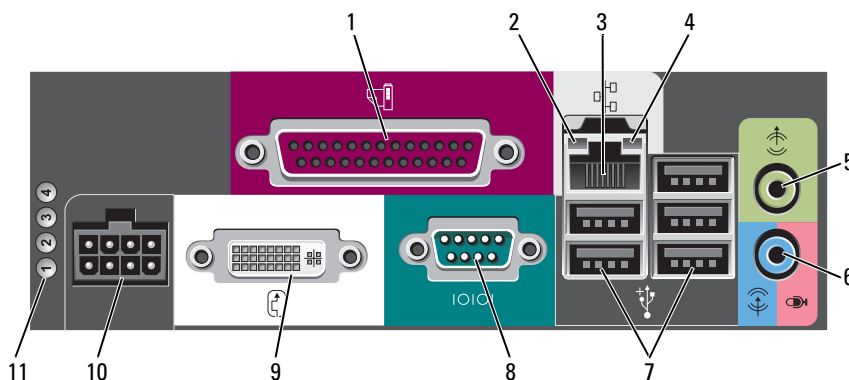
- 1 větrací otvory Větrací otvory umístěné na obou stranách počítače pomáhají zabránit jeho přehřátí. Pro zajištění správné ventilace tyto chladicí větrací otvory neblokujte.

Ultra úsporný počítač - pohled zezadu



- | | | |
|---|--|---|
| 1 | diagnostické indikátory | V části „Diagnostické indikátory“ na straně 110 jsou popsány kódy indikátorů, které vám mohou pomoci při odstraňování problémů s počítačem. |
| 2 | knoflík pro uvolnění krytu skříně počítače | Otočte tento knoflík proti směru hodin a sejměte kryt skříně. |
| 3 | konektory na zadním panelu | Konektory pro váš počítač (viz „Ultra úsporný počítač - konektory na zadním panelu“ na straně 83). |
| 4 | konektor napájení | Připojte napájecí kabel. |
| 5 | větrací otvory | Větrací otvory pomáhají zabránit přehřátí počítače. Pro zajištění správné ventilace tyto chladící větrací otvory neblokujte. |

Ultra úsporný počítač - konektory na zadním panelu



- | | | |
|---|--------------------|--|
| 1 | paralelní konektor | K paralelnímu portu počítače připojte paralelní zařízení, jako například tiskárnu. Máte-li k dispozici tiskárnu USB, připojte ji ke konektoru USB. |
|---|--------------------|--|

- | | | |
|----|-------------------------------------|--|
| 2 | indikátor integrity linky | <ul style="list-style-type: none"> • Zelená – Mezi sítí 10 Mb/s a počítačem existuje dobré spojení. • Oranžová – Mezi sítí 100 Mb/s a počítačem existuje dobré spojení. • žlutá – Mezi sítí 1000 Mb/s (1 Gb/s) a počítačem existuje dobré spojení. • Nesvítlí – Počítač nerozpoznal fyzické připojení k síti nebo je v nastavení systému vypnutý síťový řadič. |
| 3 | síťový adaptér | <p>Chcete-li připojit počítač k síťovému nebo širokopásmovému zařízení, připojte jeden konec síťového kabelu k síťové zásuvce nebo k síťovému nebo širokopásmovému zařízení. Druhý konec síťového kabelu připojte ke konektoru síťového adaptéru na zadním panelu počítače. Pro správné připojení je třeba síťový kabel zacvaknout.</p> <p>POZNÁMKA: K síťovému konektoru nepřipojujte telefonní kabel.</p> <p>U počítačů s kartou se síťovým konektorem použijte konektor na kartě.</p> <p>Pro síťovou kabeláž doporučujeme použít kabely a konektory kategorie 5. Pro zajištění spolehlivého provozu 10 Mb/s musíte použít kabeláž kategorie 3.</p> |
| 4 | indikátor aktivity sítě | Když počítač přijímá nebo vysílá síťová data, bliká oranžový indikátor. Při intenzivním síťovém provozu se může zdát, že tento indikátor takřka svítí. |
| 5 | konektor linkového výstupu | K zelenému výstupnímu linkovému konektoru připojte reproduktorovou soustavu se zesilovačem. |
| 6 | konektor linkového vstupu/mikrofonu | K modrému vstupnímu linkovému konektoru připojte zařízení pro nahrávání/přehrávání, například magnetofon, přehrávač CD nebo videorekordér.; nebo počítačový mikrofon jako zdroj hlasu a hudby pro zvukový nebo telefonický program. |
| 7 | konektory USB (5) | Zařízení, která běžně zůstávají připojená (například tiskárny nebo klávesnice), doporučujeme připojit k zadním konektorům USB. |
| 8 | konektor sériového rozhraní | K sériovému konektoru připojte některé sériové zařízení, například příruční počítač. |
| 9 | konektor zobrazovacího zařízení | <p>Používáte-li monitor, který je kompatibilní se standardem DVI, připojte kabel monitoru k bílému konektoru na zadním panelu.</p> <p>Používáte-li monitor VGA, viz část „Připojení monitoru VGA“ v Příručka uživatele k počítači.</p> |
| 10 | konektor napájení | Konektor pro připojení napájecího adaptéru. |
| 11 | diagnostické indikátory | V části „Diagnostické indikátory“ na straně 110 jsou popsány kódy indikátorů, které vám mohou pomoci při odstraňování problémů s počítačem. |

Demontáž krytu počítače




VÝSTRAHA: Před prováděním některého z postupů uvedených v této části si přečtěte bezpečnostní pokyny v *Informační příručce produktu*.



VÝSTRAHA: Zabraňte nebezpečí úrazu elektrickým proudem - před demontáží krytu počítače vždy odpojte počítač z elektrické zásuvky.

Než začnete


 **UPOZORNĚNÍ:** Aby nedošlo ke ztrátě dat, před vypnutím počítače uložte a zavřete všechny otevřené soubory a ukončete všechny spuštěné programy.


- 1 Ukončete operační systém:
 - a Uložte a zavřete všechny otevřené soubory, ukončete všechny spuštěné programy, klepněte na tlačítko **Start** a potom na příkaz **Vypnout počítač**.
 - b V okně **Vypnout počítač** klepněte na tlačítko **Vypnout**.
Po ukončení operačního systému se počítač vypne.
- 2 Zkontrolujte, zda jsou počítač a všechna připojená zařízení vypnutá. Pokud se po ukončení operačního systému počítač a připojená zařízení automaticky nevypnou, nyní je vypněte.


Před manipulací uvnitř počítače

Dodržujte následující bezpečnostní zásady, abyste zabránili možnému poškození počítače nebo úrazu.

 **VÝSTRAHA:** Před prováděním některého z postupů uvedených v této části si přečtěte bezpečnostní pokyny v *Informační příručce produktu*.

 **VÝSTRAHA:** Zacházejte s komponentami a deskami opatrně. Nedotýkejte se komponent nebo kontaktů na desce. Držte desku za její hrany nebo kovový montážní držák. Součásti (například procesor) držte za hrany, nikoli za kolíky (piny).

 **UPOZORNĚNÍ:** Opravy počítače smí provádět pouze kvalifikovaný servisní technik. Na škody způsobené neoprávněným servisním zásahem se nevztahuje záruka.

 **UPOZORNĚNÍ:** Při odpojování kabelu táhněte za konektor nebo pojistné šrouby, nikoli za samotný kabel. Některé kabely jsou vybaveny konektory s pojistkami; pokud rozpojujete tento typ kabelu, před rozpojením kabelu pojistky stiskněte. Při odtahování konektorů od sebe je udržujte rovnoměrně seřízené, abyste neohnuli některé kolíky konektorů. Také se před zapojením kabelu ujistěte, že jsou oba konektory správně nasměrovány a zarovnané.

Aby se zabránilo poškození, před manipulací uvnitř počítače proveďte následující kroky.

- 1 Vypněte počítač.

 **UPOZORNĚNÍ:** Při odpojování síťového kabelu nejprve odpojte kabel od počítače a potom se síťové zásuvky.

- 2 Odpojte od telefonu veškeré telefonní a telekomunikační přípojky.
- 3 Odpojte počítač a veškerá připojená zařízení z elektrických zásuvek a potom stisknutím vypínače uzemněte systémovou desku.
- 4 V případě potřeby odmontujte podstavec počítače (pokyny jsou uvedeny v dokumentaci dodané s podstavcem).

 **VÝSTRAHA:** Zabraňte nebezpečí úrazu elektrickým proudem - před demontáží krytu počítače vždy odpojte počítač z elektrické zásuvky.

5 Sejmutí krytu skříně počítače:

- Sejměte kryt skříně počítače typu minivěž (viz „Počítač typu minivěž“ na straně 86).
- Sejměte kryt skříně stolního počítače (viz „Stolní počítač“ na straně 87).
- Sejměte kryt skříně úsporného stolního počítače (viz „Úsporný počítač“ na straně 88).
- Sejměte kryt skříně ultra úsporného stolního počítače (viz „Ultra úsporný počítač“ na straně 90).



UPOZORNĚNÍ: Dříve, než se dotknete některé části uvnitř počítače, odved'te elektrostatický náboj z vašeho těla tím, že se dotknete kovového předmětu, například některé kovové části na zadní straně počítače. Během manipulace se opakovaně dotýkejte nenatřeného kovového povrchu, abyste odvedli potenciální elektrostatický náboj, který může poškodit vnitřní součásti.

Počítač typu minivěž



VÝSTRAHA: Před prováděním některého z postupů uvedených v této části si přečtete bezpečnostní pokyny v *Informační příručka produktu*.

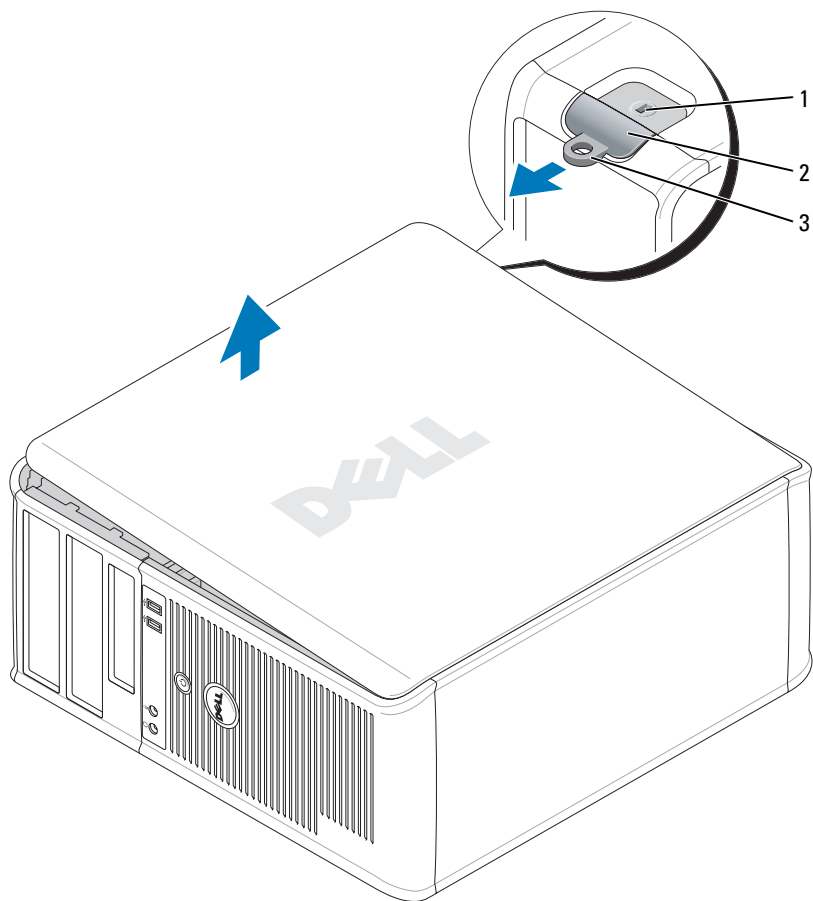


VÝSTRAHA: Zabraňte nebezpečí úrazu elektrickým proudem - před demontáží krytu počítače vždy odpojte počítač z elektrické zásuvky.

- 1 Postupujte podle pokynů v „Než začnete“ na straně 85.
- 2 Položte počítač na bok podle obrázku.
- 3 Vyhledejte uvolňovací západku podle obrázku. Posuňte uvolňovací západku dozadu a zároveň zvedněte skříň.
- 4 Uchopte boční strany krytu a vyklopte kryt vzhůru pomocí vodících čepů jako bodů otáčení.
- 5 Vyjměte kryt z vodících čepů a odložte na měkkou plochu s čistým neškrábavým povrchem.



VÝSTRAHA: Tepelné jímky grafických karet se mohou během normálního provozu zahřívat na velmi vysokou teplotu. Než se tepelné jímky grafické karty dotknete, zkontrolujte, zda již dostatečně vychladla.



1 bezpečnostní oko 2 západka pro uvolnění krytu počítače 3 kroužek zámku

Stolní počítač

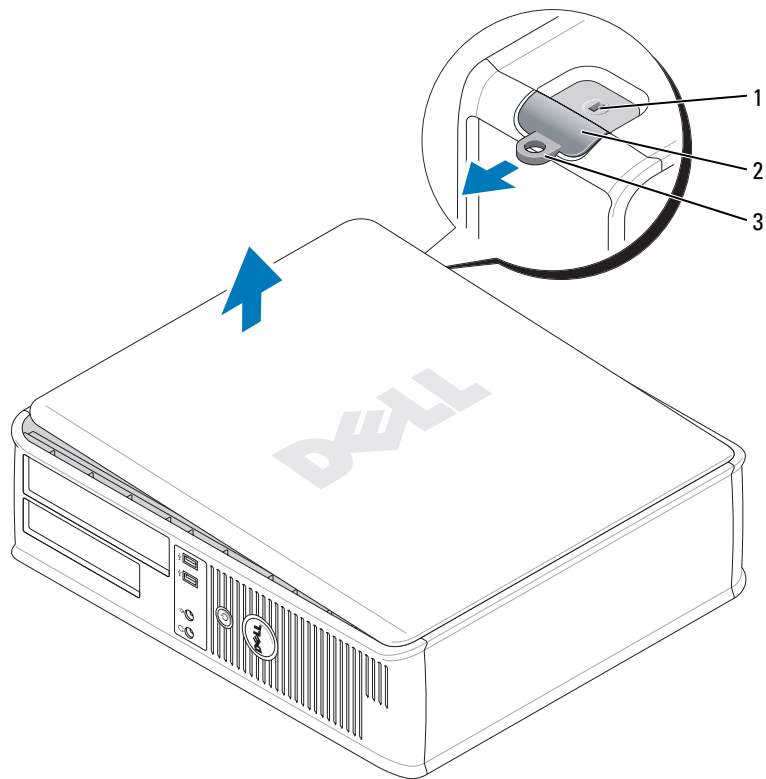
! **VÝSTRAHA:** Před prováděním některého z postupů uvedených v této části si přečtěte bezpečnostní pokyny v *Informační příručka produktu*.

! **VÝSTRAHA:** Zabraňte nebezpečí úrazu elektrickým proudem - před demontáží krytu počítače vždy odpojte počítač z elektrické zásuvky.

- 1 Postupujte podle pokynů v „Než začnete“ na straně 85.
- 2 Pokud jste do kroužku na zadním panelu nasadili kladku, odemkněte ji.

- 3 Vyhledejte uvolňovací západku podle obrázku. Posuňte uvolňovací západku dozadu a zároveň zvedněte skříň.
- 4 Uchopte boční strany krytu a vyklopte kryt vzhůru pomocí vodících čepů jako bodů otáčení.
- 5 Vyjměte kryt z vodících čepů a odložte na měkkou plochu s čistým neškrábavým povrchem.

⚠ VÝSTRAHA: Tepelné jímky grafických karet se mohou během normálního provozu zahřívat na velmi vysokou teplotu. Než se tepelné jímky grafické karty dotknete, zkontrolujte, zda již dostatečně vychladla.



1 bezpečnostní oko 2 západka pro uvolnění krytu počítače 3 kroužek zámku

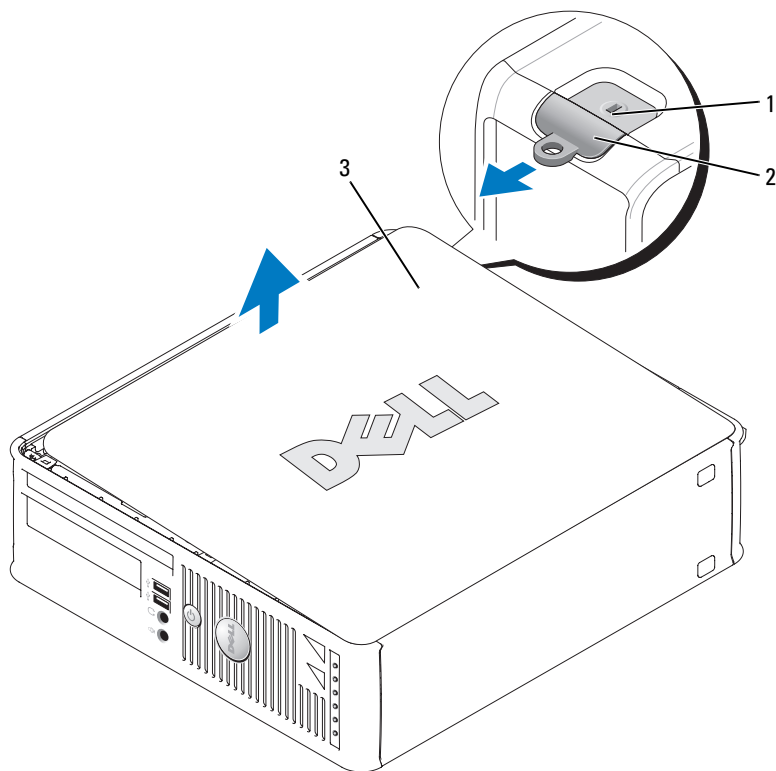
Úsporný počítač

⚠ VÝSTRAHA: Před prováděním některého z postupů uvedených v této části si přečtěte bezpečnostní pokyny v Informační příručka produktu.

⚠ VÝSTRAHA: Zabraňte nebezpečí úrazu elektrickým proudem - před demontáží krytu počítače vždy odpojte počítač z elektrické zásuvky.

- 1 Postupujte podle pokynů v „Než začnete“ na straně 85.
- 2 Pokud jste do kroužku na zadním panelu nasadili kladku, odemkněte ji.
- 3 Vyhledejte uvolňovací západku podle obrázku. Posuňte uvolňovací západku dozadu a zároveň zvedněte skříň.
- 4 Uchopte boční strany krytu a vyklopte kryt vzhůru pomocí spodních závěsů jako bodů otáčení.
- 5 Vyjměte kryt z vodících čepů a odložte na měkkou plochu s čistým neškrábavým povrchem.

⚠ VÝSTRAHA: Tepelné jímky grafických karet se mohou během normálního provozu zahřívat na velmi vysokou teplotu. Než se tepelné jímky grafické karty dotknete, zkontrolujte, zda již dostatečně vychladla.



- 1 bezpečnostní oko 2 západka pro uvolnění krytu počítače 3 kryt skříně počítače

Ultra úsporný počítač

⚠ VÝSTRAHA: Před prováděním některého z postupů uvedených v této části si přečtěte bezpečnostní pokyny v *Informační příručce produktu*.

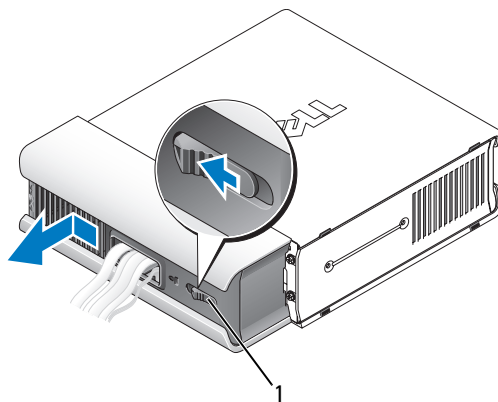
⚠ VÝSTRAHA: Zabraňte nebezpečí úrazu elektrickým proudem - před demontáží krytu počítače vždy odpojte počítač z elektrické zásuvky.

1 Postupujte podle pokynů v „Než začnete“ na straně 85.

➡ UPOZORNĚNÍ: Dříve, než se dotknete některé části uvnitř počítače, odveďte statický náboj z vašeho těla tím, že se dotknete nenatřené kovové povrchu. Během manipulace se opakovaně dotýkejte nenatřené kovové povrchu, abyste odvedli potenciálně elektrostatický náboj, který může poškodit vnitřní součásti.

2 Podle potřeby sejměte kryt kabelu.

a Je-li bezpečnostní zařízení nainstalováno v bezpečnostním oku, vyjměte zařízení.



1 uvolňovací tlačítko

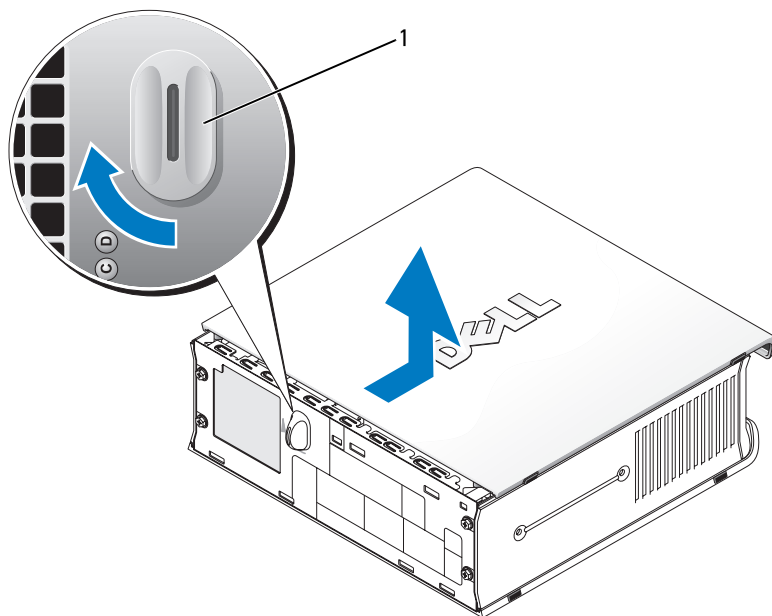
b Stiskněte uvolňovací tlačítko, uchopte kryt kabelu, posuňte kryt zcela vlevo a potom zvedněte a sejměte kryt kabelu.

3 Sejmутí krytu skříně počítače:

a Otočte knoflík pro uvolnění krytu proti směru hodin podle obrázku.

b Posuňte kryt počítače dopředu přibližně o 1 cm (1/2 palce) nebo zcela a potom jej zvedněte.

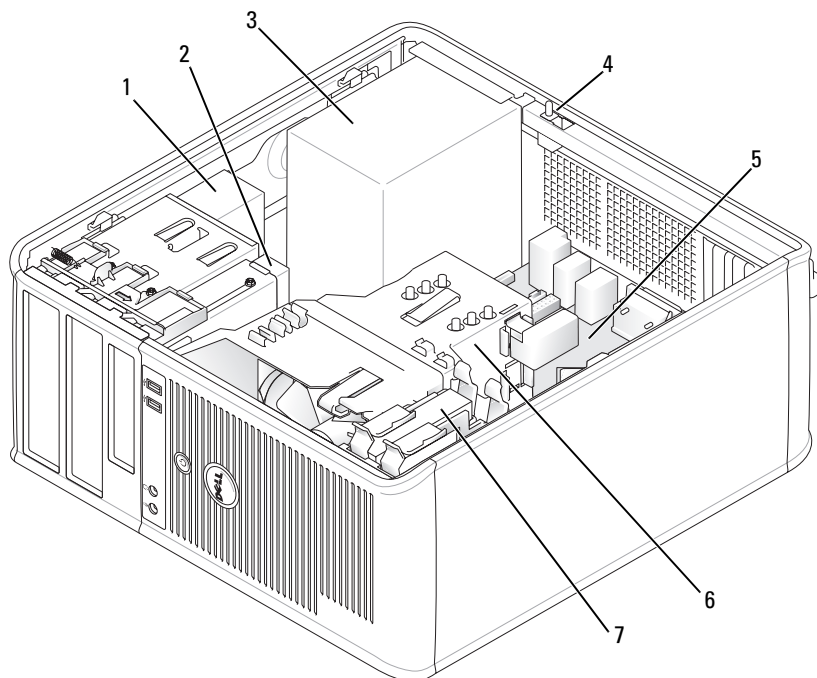
⚠ VÝSTRAHA: Tepelné jímky grafických karet se mohou během normálního provozu zahřívat na velmi vysokou teplotu. Než se tepelné jímky grafické karty dotknete, zkontrolujte, zda již dostatečně vychladla.



1 uvolňovací tlačítko

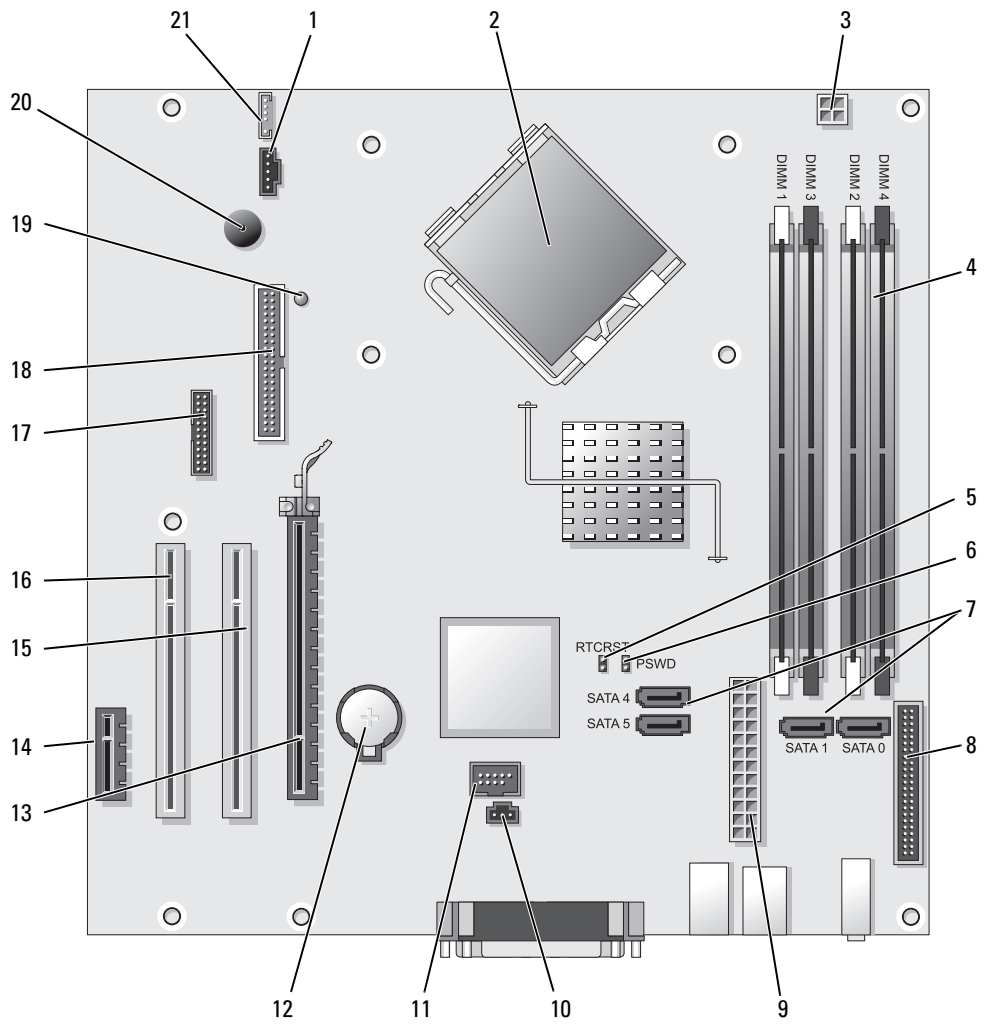
Uvnitř počítače

Počítač typu minivěž



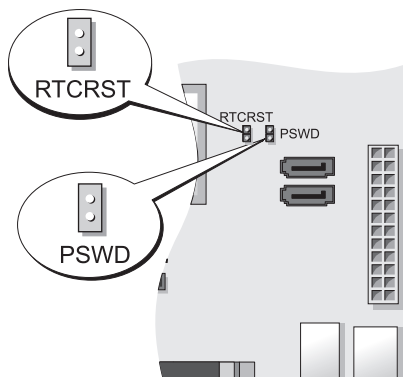
- | | | |
|---|---|------------------|
| 1 optická jednotka | 2 disketová jednotka nebo čtečka paměťových karet | 3 zdroj napájení |
| 4 volitelný spínač proti neoprávněnému přístupu do skříně | 5 systémová deska | 6 tepelná jímka |
| 7 pevný disk | | |





Součásti základní desky





- | | | | |
|----|--|----|---|
| 1 | konektor ventilátoru (FAN) | 12 | zásuvka baterie (BATT) |
| 2 | konektor procesoru (CPU) | 13 | konektor PCI Express x16 (SLOT1) |
| 3 | konektor napájení procesoru (12VPOWER) | 14 | konektor PCI Express x1 (SLOT4) |
| 4 | konektory paměťových modulů (DIMM_1, DIMM_2, DIMM_3, DIMM_4) | 15 | konektor PCI (SLOT2) |
| 5 | resetovací propojka RTC (RTCRST) | 16 | konektor PCI (SLOT3) |
| 6 | propojka hesla (PSWD) | 17 | sériový konektor (SER2) |
| 7 | konektory jednotek SATA (SATA0, SATA1, SATA4, SATA5) | 18 | konektor disketové jednotky (DSKT) |
| 8 | konektor na předním panelu (FNT_PANEL) | 19 | napájení flea |
| 9 | konektor napájení (POWER) | 20 | reproduktor integrovaný na systémové desce (BEEP) |
| 10 | konektor spínače proti neoprávněnému přístupu (INTRUDER) | 21 | konektor reproduktoru (INT_SPKR) |
| 11 | vnitřní USB (INTERNAL_USB) | | |

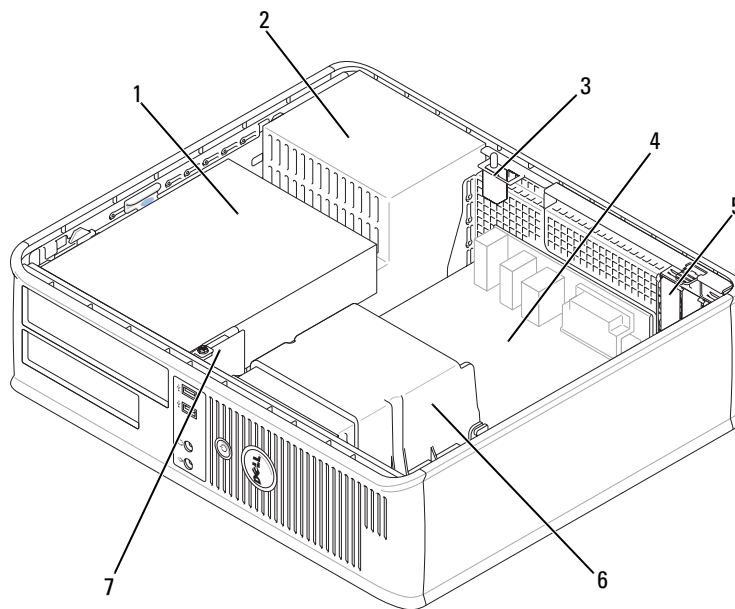
Nastavení propojek



Propojka	Nastavení	Popis
PSWD		Funkce hesel jsou povoleny (výchozí nastavení).
		Hesla nejsou povolena.
RTCRST		Přesný čas nebyl resetován.
		Přesný čas je resetován (dočasně propojeno).

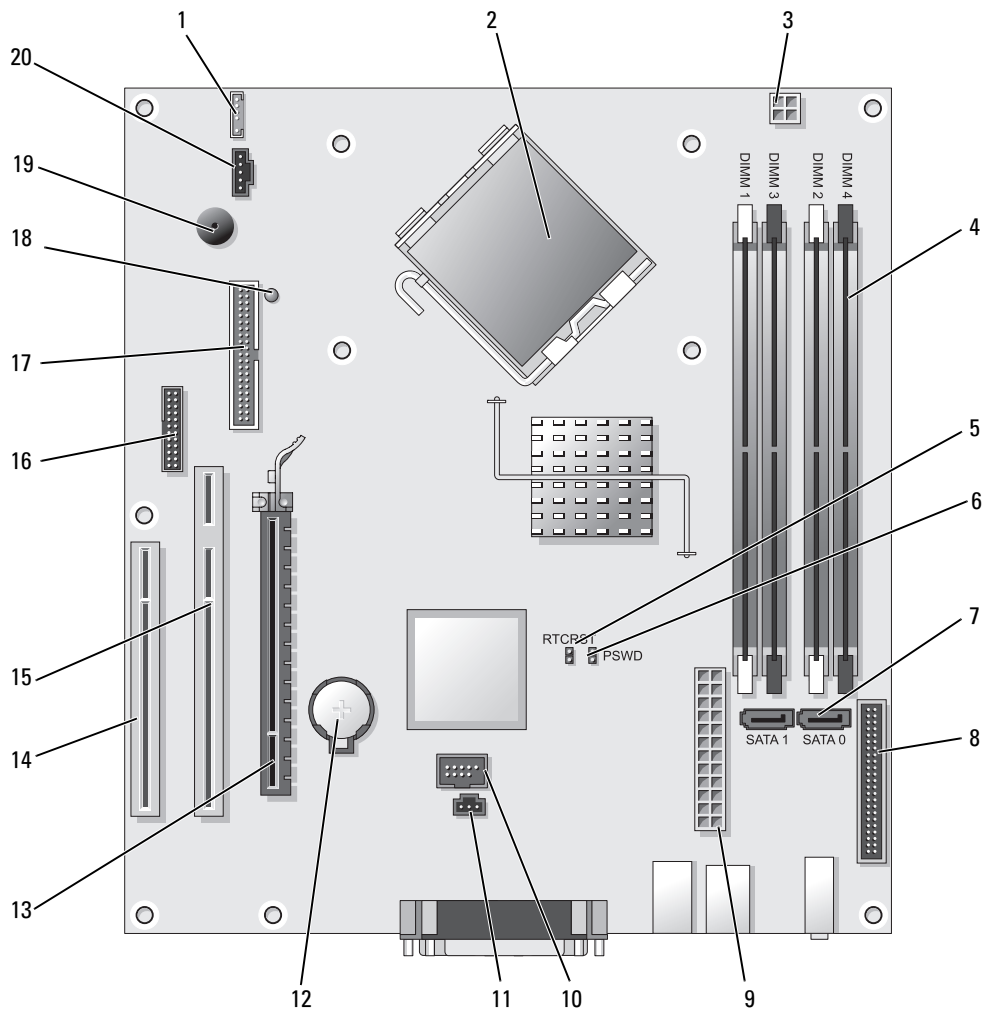
 *propojeno*
 *nepropojeno*

Stolní počítač



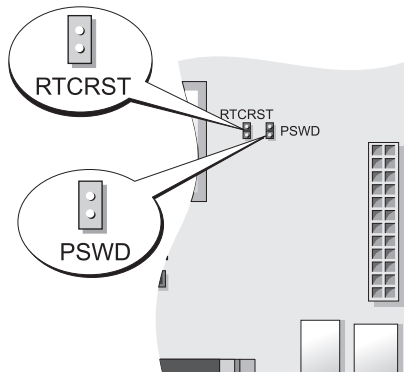
- | | | | | | |
|---|--|---|------------------|---|---|
| 1 | pozice pro připojení jednotek (čtečka paměťových karet nebo disketová jednotka, optická jednotka a pevný disk) | 2 | zdroj napájení | 3 | volitelný spínač proti neoprávněnému přístupu do skříně |
| 4 | systémová deska | 5 | patice pro karty | 6 | tepelná jímka |
| 7 | přední panel V/V | | | | |

Součásti základní desky



- | | | | |
|----|--|----|--|
| 1 | vnitřní reproduktor (INT_SPKR) | 11 | konektor spínače proti neoprávněnému přístupu (INTRUDER) |
| 2 | konektor procesoru (CPU) | 12 | zásuvka baterie (BATT) |
| 3 | konektor napájení procesoru (12VPOWER) | 13 | konektor PCI Express x16 (SLOT1) |
| 4 | konektory paměťových modulů (DIMM_1, DIMM_2, DIMM_3, DIMM_4) | 14 | konektor PCI (SLOT3) |
| 5 | resetovací propojka RTC (RTCRST) | 15 | konektor PCI (SLOT2) |
| 6 | propojka hesla (PSWD) | 16 | sériový konektor (SER2) |
| 7 | konektory SATA (SATA0, SATA1) | 17 | konektor disketové jednotky (DSKT) |
| 8 | konektor na předním panelu (FNT_PANEL) | 18 | napájení flea |
| 9 | konektor napájení (POWER) | 19 | reproduktor integrovaný na systémové desce (BEEP) |
| 10 | vnitřní USB (INTERNAL_USB) | 20 | konektor ventilátoru (FAN) |

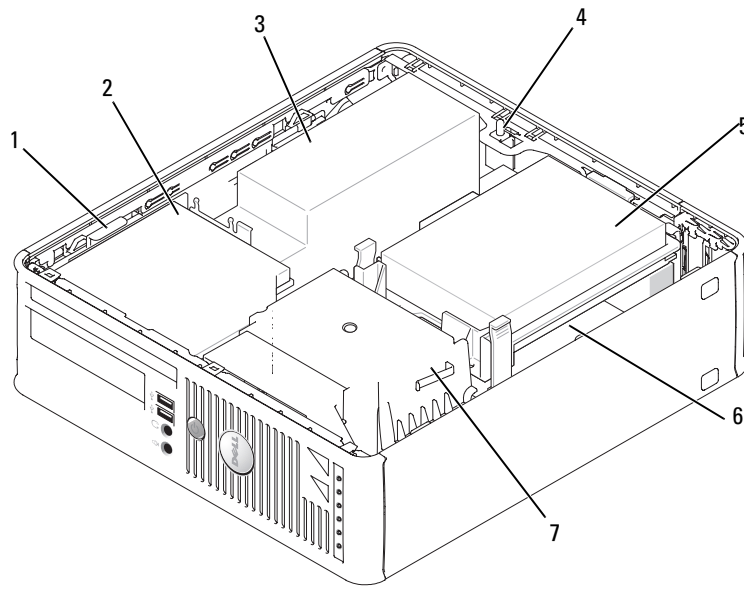
Nastavení propojek



Propojka	Nastavení	Popis
PSWD		Funkce hesel jsou povoleny (výchozí nastavení).
		Hesla nejsou povolena.
RTCRST		Přesný čas nebyl resetován.
		Přesný čas je resetován (dočasně propojeno).

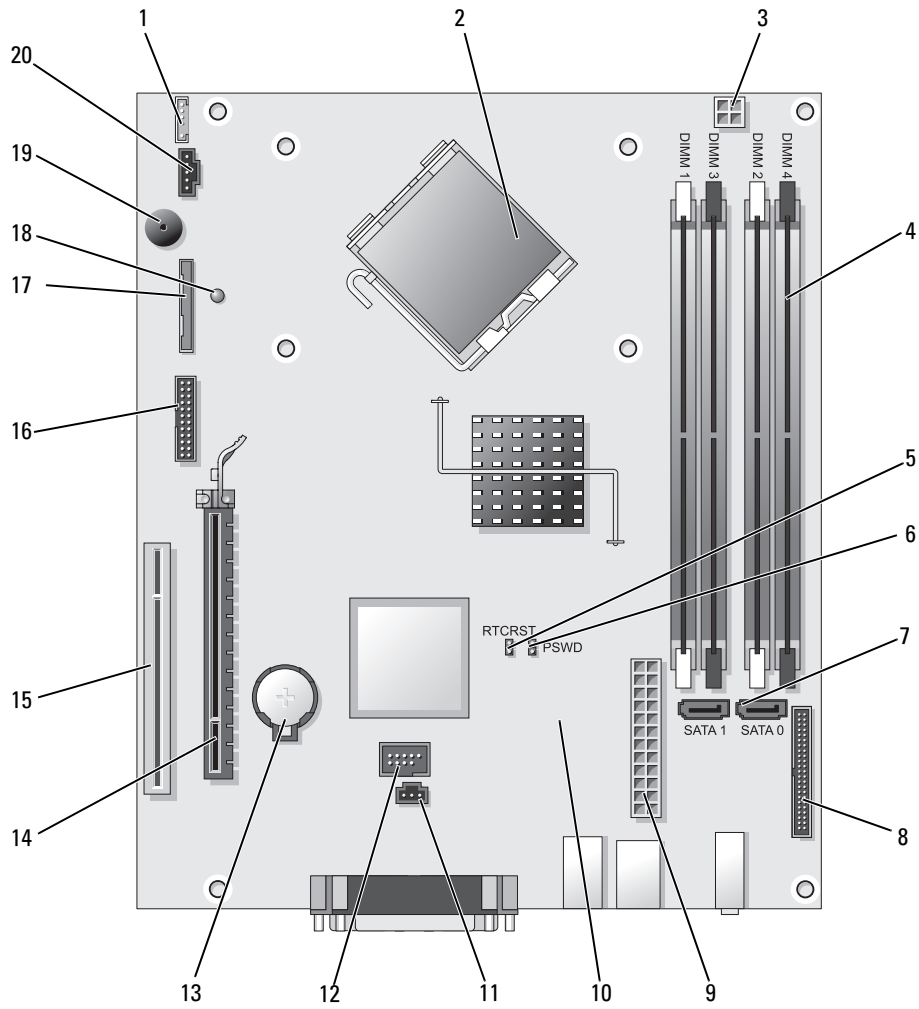
propojeno
 nepropojeno

Úsporný počítač



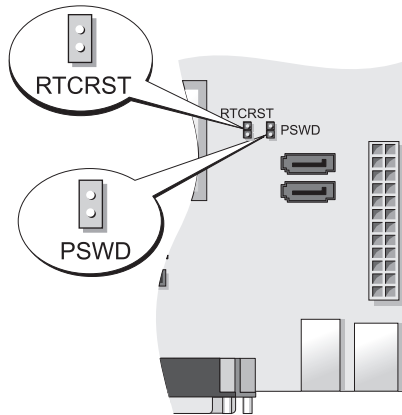
- | | | | | | |
|---|---|---|------------------|---|-----------------------------|
| 1 | západka pro uvolnění jednotky | 2 | optická jednotka | 3 | zdroj napájení a ventilátor |
| 4 | volitelný spínač proti neoprávněnému přístupu do skříně | 5 | pevný disk | 6 | systemová deska |
| 7 | sestava tepelné jímky a ventilátoru | | | | |





Součásti základní desky





- | | | | |
|----|--|----|--|
| 1 | konektor vnitřního reproduktoru (INT_SPKR) | 11 | konektor spínače proti neoprávněnému přístupu (INTRUDER) |
| 2 | konektor procesoru (CPU) | 12 | vnitřní konektor USB (USB) |
| 3 | konektor napájení procesoru (12VPOWER) | 13 | zásuvka baterie (BATT) |
| 4 | konektory paměťových modulů (DIMM_1, DIMM_2, DIMM_3, DIMM_4) | 14 | konektor PCI Express x16 (SLOT1) |
| 5 | resetovací propojka RTC (RTCRST) | 15 | konektor PCI (SLOT2) |
| 6 | propojka hesla (PSWD) | 16 | sériový konektor (SER2) |
| 7 | konektory SATA (SATA0, SATA1) | 17 | konektor disketové jednotky (DSKT) |
| 8 | konektor na předním panelu (FNT_PANEL) | 18 | napájení flea |
| 9 | konektor napájení (POWER) | 19 | reproduktor integrovaný na systémové desce (BEEP) |
| 10 | konektor ventilátoru (FAN2) | 20 | konektor ventilátoru (FAN) |

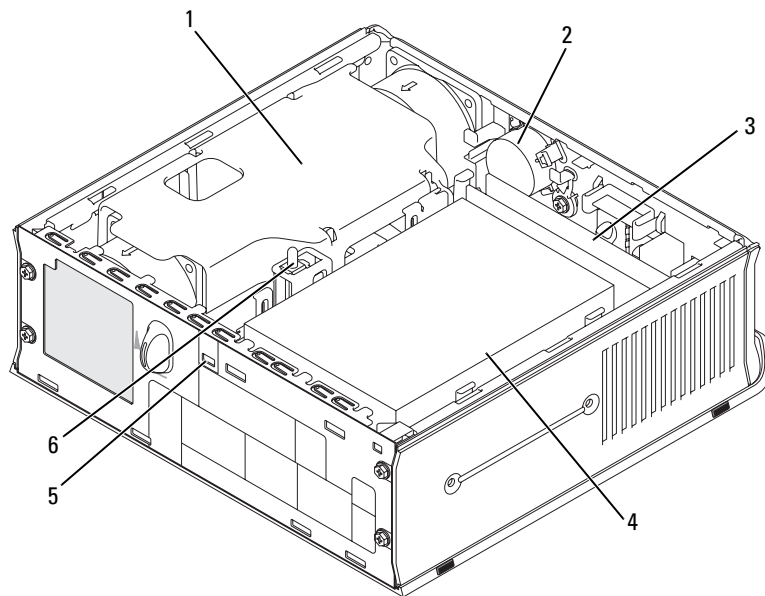
Nastavení propojek



Propojka	Nastavení	Popis
PSWD		Funkce hesel jsou povoleny (výchozí nastavení).
		Hesla nejsou povolena.
RTCRST		Přesný čas nebyl resetován.
		Přesný čas je resetován (dočasně propojeno).

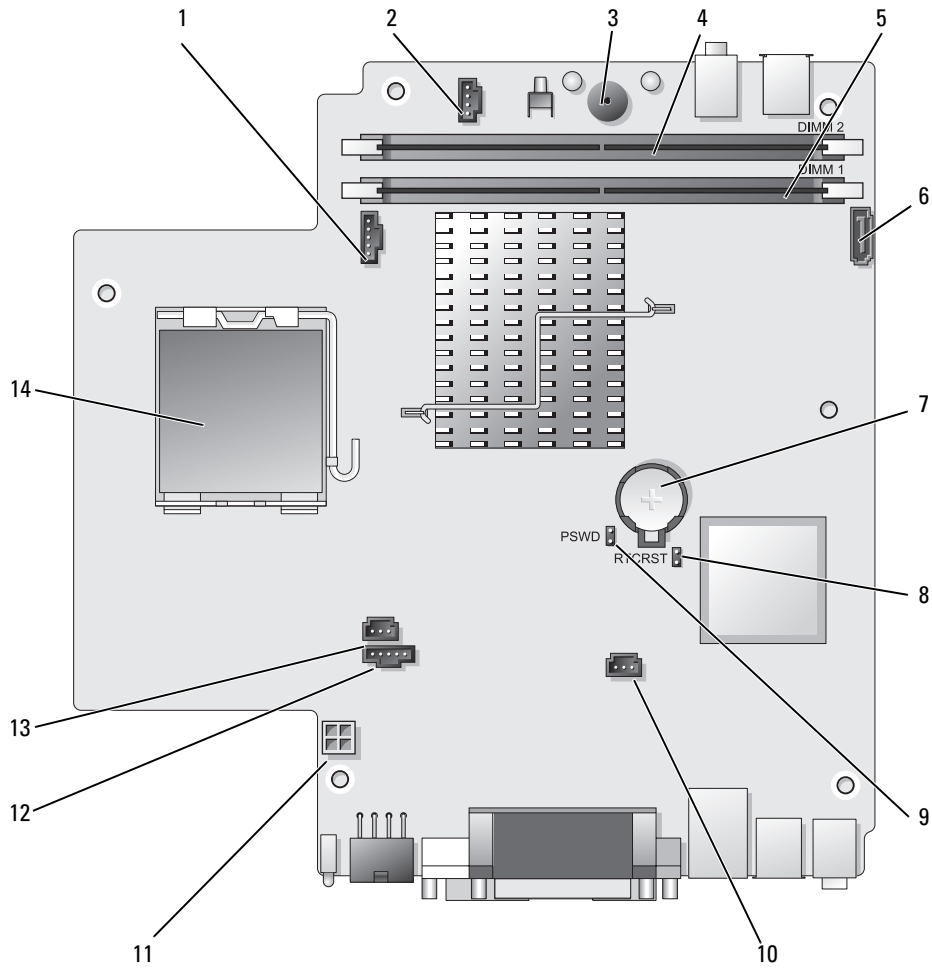
 *propojeno*
 *nepropojeno*

Ultra úsporný počítač



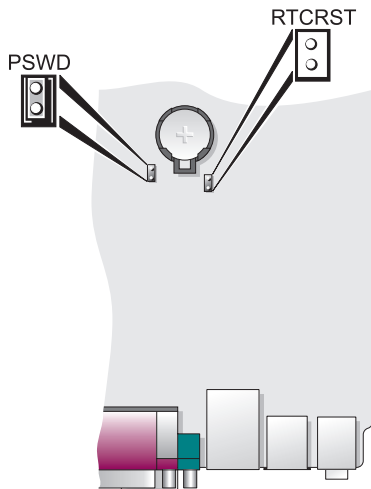
- | | | | | | |
|---|---|---|-------------------------|---|--|
| 1 | sestava bočnice ventilátoru/
tepelné jímky | 2 | reproduktor (volitelný) | 3 | paměťové moduly (2) |
| 4 | pevný disk | 5 | bezpečnostní oko | 6 | spínač proti neoprávněnému
přístupu do skříně |





Součásti základní desky





- | | |
|---|---|
| 1 konektor ventilátoru (FAN_FRONT) | 8 propojka vymazání CMOS (RTCRST) |
| 2 konektor vnitřního reproduktoru (INT_SPKR) | 9 propojka hesla (PSWD) |
| 3 reproduktor integrovaný na systémové desce (BEEP) | 10 konektor ventilátoru pevného disku (FAN_HDD) |
| 4 konektor paměti kanálu B (DIMM_2) | 11 konektor napájení pevného disku (SATA_PWR) |
| 5 konektor paměti kanálu A (DIMM_1) | 12 konektor ventilátoru (FAN_REAR) |
| 6 konektor datového kabelu SATA (SATA0) | 13 konektor spínače proti neoprávněnému přístupu (INTRUDER) |
| 7 baterie (BATT) | 14 procesoru (CPU) |

Nastavení propojek





Propojka	Nastavení	Popis
PSWD		Funkce hesel jsou povoleny (výchozí nastavení).
		Hesla nejsou povolena.
RTCRST		Přesný čas nebyl resetován.
		Přesný čas je resetován (dočasně propojeno).


 *propojeno*
  *nepropojeno*

Instalace počítače

 **VÝSTRAHA:** Před prováděním některého z postupů uvedených v této části si přečtěte bezpečnostní pokyny v *Informační příručka produktu*.

 **UPOZORNĚNÍ:** Pokud je v počítači nainstalována karta pro rozšíření (například karta modemu), připojte příslušný kabel ke kartě, *nikoli* ke konektoru na zadním panelu.


 **UPOZORNĚNÍ:** Aby si mohl počítač udržovat správnou provozní teplotu, neumíst'ujte jej příliš blízko ke zdi nebo některé části nábytku, což by mohlo bránit cirkulaci vzduchu okolo skříně. Další informace získáte v *Informační příručka produktu*.

 **POZNÁMKA:** Před instalací zařízení nebo softwaru, které nebyly dodány společně s počítačem, si přečtěte dokumentaci dodanou se zařízením nebo softwarem nebo se obrať'te na výrobce a ověřte, zda dané zařízení nebo software jsou kompatibilní s tímto počítačem a operačním systémem.

Aby byla zajištěna správná instalace počítače, musíte provést všechny kroky. Postupujte podle příslušných obrázků, které doplňují pokyny.

 **UPOZORNĚNÍ:** Nezkoušejte používat současně myš PS/2 a USB.

1 Připojte klávesnici a myš.


 **UPOZORNĚNÍ:** Nepřipojujte kabel modemu ke konektoru síť'ového adaptéru. Napětí telefonní linky může síť'ový adaptér poškodit.

2 Připojte modem nebo síť'ový kabel.

Připojte síť'ový kabel k síť'ovému konektoru (nikoli telefonní linku). Používáte-li doplňkový modem, připojte telefonní linku k modemu.


3 Připojte monitor.


Nasad'te a opatrně připojte kabel monitoru - zabraňte ohnutí kolíků. Utáhněte ruční šrouby na kabelových konektorech.

 **POZNÁMKA:** U některých monitorů se konektor videa nachází na spodní zadní straně obrazovky. Informace o umístění konektorů najdete v dokumentaci dodané s monitorem.

4 Připojte reproduktory.

5 Připojte napájecí kabely k počítači, monitoru a k zařízením; opačné konce napájecích kabelů připojte do elektrických zásuvek.

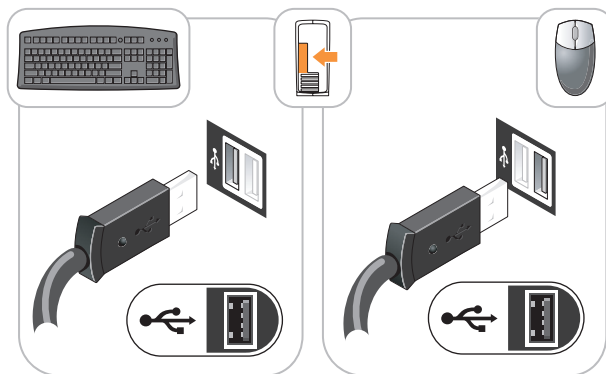
 **UPOZORNĚNÍ:** Aby se zabránilo poškození počítače ručním přepínačem napětí, nastavte přepínač na takovou hodnotu napětí, která co nejlépe odpovídá napájení střídavým proudem v síti v místě instalace systému.

 **UPOZORNĚNÍ:** V Japonsku musí být přepínač napětí nastaven v poloze 115-V, ačkoli je v této zemi k dispozici střídavý proud o napětí 100 V.

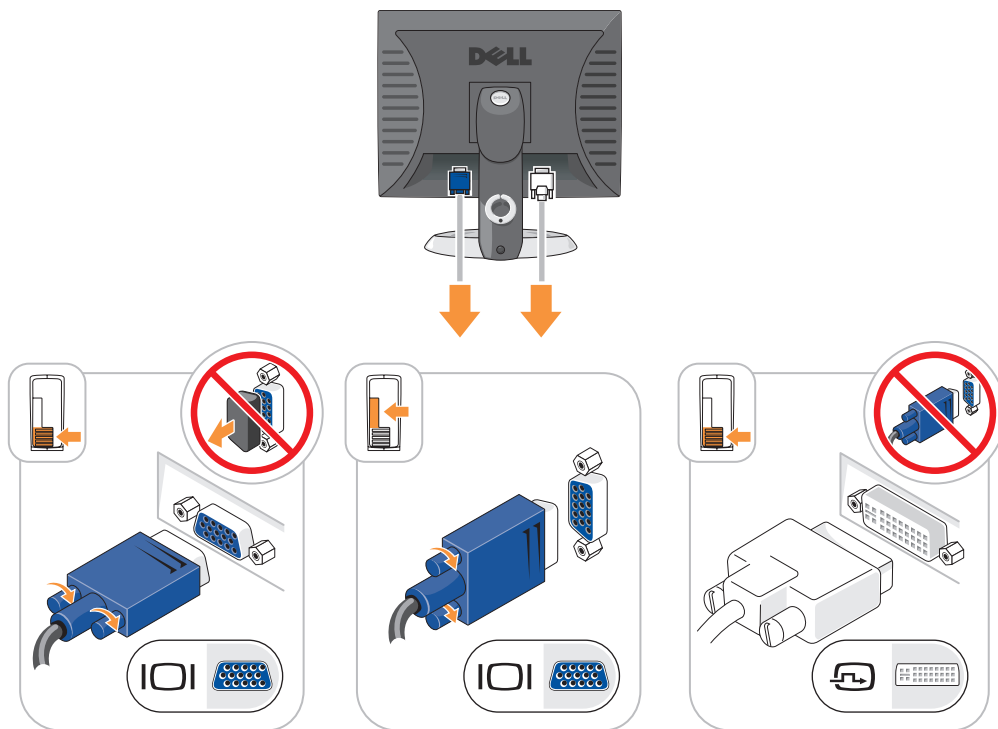
6 Zkontrolujte, zda poloha přepínače napětí odpovídá napětí, které je k dispozici.

Tento počítač je vybaven ručním přepínačem napětí. U počítačů, které jsou na zadním panelu vybaveny přepínačem napětí, je třeba ručně nastavit správné provozní napětí.

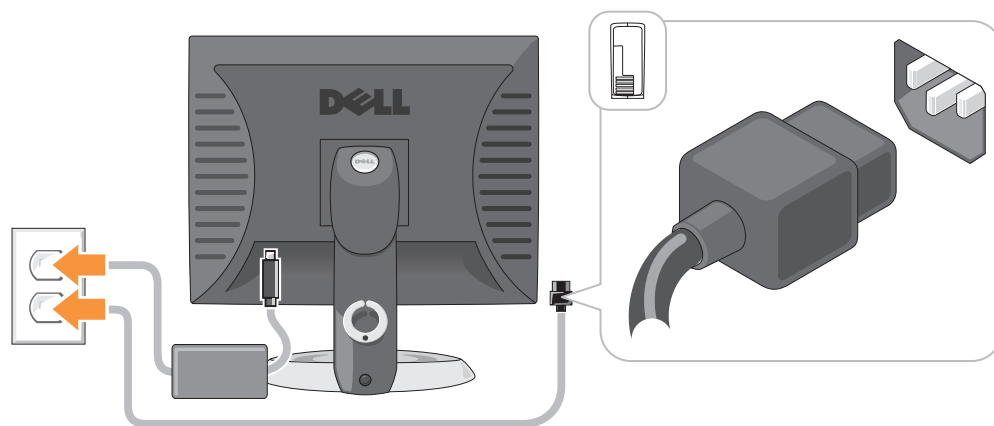
Instalace klávesnice a myši



Instalace monitoru



Připojení napájení



Řešení problémů

Společnost Dell poskytuje řadu nástrojů, které pomohou uživateli v případě, že počítač nefunguje podle očekávání. Nejnovější informace o odstraňování problémů, které jsou k dispozici pro tento počítač, najdete na webu odborné pomoci společnosti Dell support.dell.com.

Pokud dojde k problémům, které vyžadují pomoc společnosti Dell, запиšte podrobný popis chyby, zvukových signálů nebo signálů diagnostických indikátorů; uveďte níže vaše heslo expresní služby a servisní štítek; buďte v dosahu počítače a kontaktujte společnost Dell. Pokyny pro kontaktování společnosti Dell najdete v *Příručka uživatele* online.

Příklad hesla expresní služby a servisního štítku viz „Hledání informací“ v *Příručka uživatele* k počítači.

Heslo expresní služby: _____

Servisní štítek: _____

Diagnostický nástroj Dell Diagnostics

⚠ VÝSTRAHA: Před prováděním některého z postupů uvedených v této části si přečtěte bezpečnostní pokyny v *Informační příručka produktu*.

Kdy použít diagnostický program Dell Diagnostics

Dojde-li k problémům s počítačem, před kontaktováním odborné pomoci společnosti Dell proveďte kontrolní kroky uvedené v části *Odstraňování problémů* v *Příručka uživatele* online a spusťte diagnostický nástroj Dell Diagnostics. Pokyny pro kontaktování společnosti Dell najdete v *Příručka uživatele* online.

🔄 UPOZORNĚNÍ: Diagnostický program Dell Diagnostics lze použít pouze u počítačů společnosti Dell™.

Přejděte do nastavení systému (pokyny najdete v části Nastavení systému v *Příručka uživatele* online), zkontrolujte konfiguraci počítače a přesvědčte se, zda je testované zařízení uvedeno v nastavení systému a zda je aktivní.

Spust'te diagnostický nástroj Dell z pevného disku nebo z doplňkového disku CD *s ovladači a nástroji* (zdrojový disk CD).

Spuštění diagnostického programu Dell Diagnostics z pevného disku

- 1 Zapněte (nebo restartujte) počítač.
- 2 Když se zobrazí logo DELL, stiskněte ihned <F12>.



POZNÁMKA: Pokud se zobrazí zpráva o tom, že nebyl nalezen žádný oddíl s diagnostickým nástrojem, spust'te nástroj Dell Diagnostics v doplňkového disku CD s *ovladači a nástroji* (viz „Spuštění diagnostického programu Dell Diagnostics z disku CD s ovladači a nástroji“ na straně 107).

Pokud čekáte příliš dlouho a objeví se logo operačního systému, počkejte, dokud se nezobrazí plocha Microsoft® Windows®. Potom vypněte počítač a akci zopakujte.

Když se zobrazí seznam spouštěcích zařízení, klepněte na položku **Spustit oddíl utility** a stiskněte <Enter>.

- 3 Když se zobrazí **Hlavní nabídka** diagnostického programu Dell Diagnostics, zvolte test, který chcete spustit.

Spuštění diagnostického programu Dell Diagnostics z disku CD s ovladači a nástroji

- 1 Vložte disk CD *s ovladači a nástroji*.
- 2 Vypněte a restartujte počítač.
Když se zobrazí logo DELL, stiskněte ihned <F12>.

Pokud se zobrazí logo operačního systému, počkejte, až se zobrazí pracovní plocha systému Windows. Potom vypněte počítač a akci zopakujte.



POZNÁMKA: Další kroky změny spouštěcí sekvenci pouze jednou. Při příštím spuštění se počítač spustí podle zařízení uvedených v systémovém nastavení.

- 3 Po zobrazení seznamu zařízení pro spuštění označte jednotku CD/DVD a stiskněte klávesu <Enter>.
- 4 V nabídce CD pro spuštění vyberte jednotku CD/DVD.
- 5 V zobrazené nabídce vyberte pro spuštění jednotku CD/DVD.
- 6 Zadáním čísla 1 spust'te nabídku disku CD *s ovladači a nástroji*.
- 7 Zadáním 2 spustíte diagnostický program Dell Diagnostics.
- 8 Z očíslovaného seznamu zvolte položku **Spustit 32 bitový diagnostický program Dell Diagnostics**. Je-li v seznamu uvedeno několik verzí, zvolte verzi odpovídající vašemu počítači.
- 9 Když se zobrazí **Hlavní nabídka** diagnostického programu Dell Diagnostics, zvolte test, který chcete spustit.

Hlavní nabídka diagnostického programu Dell Diagnostics

- 1 Po spuštění programu Dell Diagnostics a zobrazení Hlavní nabídky klepněte na tlačítko požadované činnosti.

Možnost	Funkce
Express Test (Expresní zkouška)	Provede rychlou zkoušku zařízení. Tento test obvykle trvá 10 až 20 minut a není nutné, abyste do něj zasahovali. Expresní test , který zvyšuje pravděpodobnost rychlého odstranění, je vhodné spustit nejdříve.
Extended Test (Podrobná zkouška)	Provede důkladnou zkoušku zařízení. Tento test obvykle trvá hodinu a je nutné, abyste pravidelně odpovídali na dané otázky.
Custom Test (Vlastní zkouška)	Zkouší konkrétní zařízení. Testy, které chcete spustit, si můžete přizpůsobit.
Symptom Tree (Strom příznaků)	Uvádí seznam nejběžnějších příznaků a umožňuje výběr testu na základě příznaku problému, který máte.

- 2 Pokud na problém narazíte během testu, zobrazí se hlášení s chybovým kódem a popisem daného problému. Kód chyby a popis problému si opište a poté postupujte podle pokynů na obrazovce. Pokud chybu nedokážete napravit, obraťte se na společnost Dell. Pokyny pro kontaktování společnosti Dell najdete v *Příručka uživatele* online.



POZNÁMKA: Servisní štítek vašeho počítače se nachází v horní části obrazovky při každém testu. Když se obrátíte na společnost Dell, pracovníci technické podpory budou servisní štítek požadovat.

- 3 Pokud spouštíte zkoušku **Custom Test** (Vlastní zkouška) nebo **Symptom Tree** (Strom příznaků), klepnutím na příslušnou kartu popsanou v následující tabulce získáte další informace.

Karta	Funkce
Results (Výsledky)	Zobrazuje výsledky zkoušky a případně zjištěné chyby.
Errors (Chyby)	Zobrazí chybové podmínky, chybové kódy a popis daného problému.
Help (Nápověda)	Popisuje zkoušky a může obsahovat požadavky pro spuštění zkoušky.
Configuration (Konfigurace)	Zobrazí konfiguraci hardwaru pro vybrané zařízení. Diagnostický program Dell Diagnostics zjistí konfigurační údaje pro všechna zařízení ze systémového nastavení, z paměti a z různých interních testů a zobrazí dané údaje v seznamu zařízení v levé části obrazovky. V seznamu nemusí být uvedeny všechny názvy součástí nainstalovaných v počítači nebo k němu připojených.
Parameters (Parametry)	Test můžete přizpůsobit změnou jeho nastavení.

- 4 Po dokončení testů a v případě, že jste diagnostický program Dell Diagnostics spustili z disku CD s *ovladači a nástroji* (doplňkový), vyjměte disk CD.
- 5 Zavřete obrazovku pro test a vraťte se na obrazovku **Hlavní nabídky**. Diagnostický program Dell Diagnostics ukončíte a počítač restartujete zavřením okna **Hlavní nabídky**.

Systémové indikátory

Indikátor napájení může signalizovat problém s počítačem.

Indikátor napájení	Popis problému	Doporučené řešení
Svítil zeleně	Napájení je zapnuté a počítač funguje normálně.	Není třeba provést žádné opatření.
Bliká zeleně	Počítač se nachází v úsporném režimu.	Chcete-li počítač probudit, stiskněte vypínač, pohněte s myší nebo stiskněte libovolnou klávesu na klávesnici.
Několikrát zabliká zeleně a potom zhasne	Vyskytla se chyba v konfiguraci.	Podle stavu diagnostických indikátorů zkontrolujte, zda byl identifikován specifický problém (viz „Diagnostické indikátory“ na straně 110).
Svítil žlutě	Některé zařízení na systémové desce závadné nebo nesprávně nainstalované nebo přepínač napětí na zdroji napájení není nastaven správně.	Podle stavu diagnostických indikátorů zkontrolujte, zda byl identifikován specifický problém (viz „Diagnostické indikátory“ na straně 110). Viz část „Problémy s napájením“ v <i>Příručka uživatele</i> online. Pokud počítač nelze spustit, požádejte společnost Dell o odbornou pomoc. Pokyny pro kontaktování společnosti Dell najdete v <i>Příručka uživatele</i> online.
Bliká žlutě	Došlo k selhání zdroje napájení nebo systémové desky.	Podle stavu diagnostických indikátorů zkontrolujte, zda byl identifikován specifický problém (viz „Diagnostické indikátory“ na straně 110). Viz část „Problémy s napájením“ v <i>Příručka uživatele</i> online. Pokud počítač nelze spustit, požádejte společnost Dell o odbornou pomoc. Pokyny pro kontaktování společnosti Dell najdete v <i>Příručka uživatele</i> online.
Svítil zeleně a vysílá zvukový signál během testu POST	Během spouštění systému BIOS došlo k problému.	Pokyny pro diagnostiku kódů signálu viz „Zvukové signály“ na straně 112. Rovněž podle stavu diagnostických indikátorů zkontrolujte, zda byl identifikován specifický problém.

Indikátor napájení	Popis problému	Doporučené řešení
Svítil zelený indikátor napájení, žádný zvukový signál ani obraz během testu POST	Monitor nebo grafická karta jsou závadné nebo nesprávně nainstalované.	Podle stavu diagnostických indikátorů zkontrolujte, zda byl identifikován specifický problém.
Svítil zelený indikátor napájení, žádný zvukový signál, ale počítač během testu POST zatuhne	Některé zařízení integrované v systémové desce je pravděpodobně závadné.	Podle stavu diagnostických indikátorů zkontrolujte, zda byl identifikován specifický problém. Pokud problém není uveden, požádejte společnost Dell o odbornou pomoc. Pokyny pro kontaktování společnosti Dell najdete v <i>Příručka uživatele</i> online.

Diagnostické indikátory





⚠ VÝSTRAHA: Před prováděním některého z postupů uvedených v této části si přečtěte bezpečnostní pokyny v *Informační příručce produktu*.




Pro snadnější odstraňování problémů je tento počítač vybaven na předním nebo zadním panelu čtyřmi indikátory 1, 2, 3 a 4. Indikátory buď nesvítil nebo svítí zeleně. Během normálního spuštění počítače se signály indikátorů mění. Po úspěšném dokončení testu POST během spuštění systému všechny čtyři indikátory svítí krátce zeleně a potom zhasnou.

Pokud dojde k chybě počítače během testu POST, signalizace indikátorů umožňuje snadno zjistit, kde byl proces zastaven. Pokud počítač nefunguje správně po úspěšném dokončení testu POST, diagnostické indikátory nesignalizují příčinu problému.

✍ POZNÁMKA: Orientace diagnostických indikátorů se může lišit v závislosti na typu systému. Diagnostické indikátory mohou být uspořádány vodorovně nebo svisle.

Signalizace indikátorů	Popis problému	Doporučené řešení
① ② ③ ④	Počítač je normálně vypnutý nebo došlo k selhání ještě před zavedením systému BIOS. Po úspěšném zavedení operačního programu nesvítil diagnostické indikátory.	Připojte počítač do funkční elektrické zásuvky a stiskněte vypínač.
① ② ③ ④	Pravděpodobně došlo k selhání systému BIOS; počítač se nachází v režimu obnovy.	Spusťte nástroj pro obnovení systému BIOS a po jeho dokončení restartujte počítač.
① ② ③ ④	Pravděpodobně došlo k selhání procesoru.	Znovu nainstalujte procesor a restartujte počítač. Pokyny pro novou instalaci procesoru najdete v <i>Příručka uživatele</i> online.

Signalizace indikátorů	Popis problému	Doporučené řešení
	Byly rozpoznány paměťové moduly, ale došlo k selhání některé paměti.	<ul style="list-style-type: none"> • Pokud je v počítači nainstalován jeden paměťový modul, nainstalujte jej znovu a restartujte počítač. Pokyny pro novou instalaci paměťových modulů najdete v <i>Příručka uživatele</i> online. • Pokud jsou v počítači nainstalovány dva nebo více paměťových modulů, vyjměte je, znovu nainstalujte jeden modul a restartujte počítač. Pokud se počítač spustí normálně, nainstalujte znovu další modul. Pokračujte, dokud nezjistíte závadný modul, nebo dokud nenainstalujete bez chyby všechny moduly. • Pokud možno nainstalujte do počítače řádně fungující paměť stejného typu. • Pokud problém potrvá, obraťte se na společnost Dell. Pokyny pro kontaktování společnosti Dell najdete v <i>Příručka uživatele</i> online.
	Pravděpodobně došlo k selhání grafické karty.	<ul style="list-style-type: none"> • Pokud je v počítači nainstalována grafická karta, vyjměte ji, znovu nainstalujte a potom restartujte počítač. • Pokud problém přetrvává, nainstalujte grafickou kartu, jejíž funkčnost je ověřena, a restartujte počítač. • Pokud problém přetrvává nebo pokud je počítač vybaven integrovanou grafickou kartou, obraťte se na společnost Dell. Pokyny pro kontaktování společnosti Dell najdete v <i>Příručka uživatele</i> online.
	Pravděpodobně došlo k selhání disketové jednotky nebo pevného disku.	Odpojte a znovu připojte všechny napájecí a datové kabely a restartujte počítač.
	Pravděpodobně došlo k selhání rozhraní USB.	Znovu nainstalujte všechny zařízení USB, zkontrolujte zapojení kabelů a potom restartujte počítač.

Signalizace indikátorů	Popis problému	Doporučené řešení
	<p>Nebyly zjištěny žádné paměťové moduly.</p>	<ul style="list-style-type: none"> • Pokud je v počítači nainstalován jeden paměťový modul, nainstalujte jej znovu a restartujte počítač. Pokyny pro novou instalaci paměťových modulů najdete v <i>Příručka uživatele</i> online. • Pokud jsou v počítači nainstalovány dva nebo více paměťových modulů, vyjměte je, znovu nainstalujte jeden modul a restartujte počítač. Pokud se počítač spustí normálně, nainstalujte znovu další modul. Pokračujte, dokud nezjistíte závadný modul, nebo dokud nenainstalujete bez chyby všechny moduly. • Pokud možno nainstalujte do počítače řádně fungující paměť stejného typu. • Pokud problém potrvá, obraťte se na společnost Dell. Pokyny pro kontaktování společnosti Dell najdete v <i>Příručka uživatele</i> online.
	<p>Byly rozpoznány paměťové moduly, ale došlo k chybě kompatibility nebo konfigurace paměti.</p>	<ul style="list-style-type: none"> • Zkontrolujte, zda neexistují žádné zvláštní požadavky na umístění paměťových modulů nebo konektorů. • Zkontrolujte, zda jsou instalované paměťové moduly kompatibilní s počítačem. • Pokud problém potrvá, obraťte se na společnost Dell. Pokyny pro kontaktování společnosti Dell najdete v <i>Příručka uživatele</i> online.
	<p>Došlo k chybě.</p> <p>Tato signalizace se rovněž zobrazí, když vstoupíte do nastavení systému, a nemusí se jednat o závadu.</p>	<ul style="list-style-type: none"> • Zkontrolujte, zda jsou kabely od pevného disku, jednotky CD a jednotky DVD řádně připojeny k systémové desce. • Přečtěte si zprávu zobrazenou na monitoru. • Pokud problém potrvá, obraťte se na společnost Dell. Pokyny pro kontaktování společnosti Dell najdete v <i>Příručka uživatele</i> online.

Zvukové signály

Tento počítač může během spouštění vydávat série zvukových signálů, pokud nelze chyby nebo problémy zobrazit na monitoru. Tyto série zvukových signálů identifikují problém. Například zvukový kód (1 3-1) se skládá z jednoho delšího pípnutí, tří krátkých pípnutí a jednoho delšího pípnutí. Tento kód signalizuje, že došlo k problému s pamětí počítače.

Pokud počítač vysílá zvukové signály během spouštění:

- 1 Zapište kód signálu.
- 2 Pokyny pro identifikaci vážnějších příčin najdete v části „Diagnostický nástroj Dell Diagnostics“ na straně 106.
- 3 Požádejte společnost Dell o odbornou pomoc. Pokyny pro kontaktování společnosti Dell najdete v *Příručka uživatele* online.

Kód	Příčina	Kód	Příčina
1-1-2	Chyba registrace mikroprocesoru.	3-1-4	Chyba registrace podřízené masky přerušení.
1-1-3	Chyba čtení/zápisu do paměti NVRAM.	3-2-2	Chyba zavádění vektoru přerušení.
1-1-4	Chyba v kontrolním součtu ROM BIOS.	3-2-4	Chyba testu řadiče klávesnice.
1-2-1	Chyba programovatelného časovače intervalu.	3-3-1	Ztráta napájení NVRAM.
1-2-2	Chyba inicializace DMA.	3-3-2	Neplatná konfigurace NVRAM.
1-2-3	Chyba čtení/zápisu do registru stránek DMA.	3-3-4	Chyba testu grafické paměti.
1-3	Chyba testu grafické paměti.	3-4-1	Chyba inicializace obrazovky.
1-3-1 až 2-4-4	Nesprávná identifikace nebo používání paměti.	3-4-2	Chyba opakovaného sledování obrazovky.
3-1-1	Chyba registru podřízené DMA.	3-4-3	Chyba hledání grafické paměti ROM.
3-1-2	Chyba registru hlavní DMA.	4-2-1	žádný interval časovače.
3-1-3	Chyba registru hlavní masky přerušení.	4-2-2	Chyba při vypnutí.
4-2-3	Chyba brány A20.	4-4-1	Chyba testu sériového nebo paralelního portu.
4-2-4	Neočekávané přerušení v chráněném režimu.	4-4-2	Nepodařilo se dekomprimovat kód do stínové paměti.
4-3-1	Chyba paměti nad adresou 0FFFFh.	4-4-3	Chyba testu matematického koprocesoru.
4-3-3	Chyba čítače 2 čipu časovače.	4-4-4	Chyba testu mezipaměti.
4-3-4	Denní hodiny zastaveny.		

Odstraňování nekompatibility softwaru a hardwaru


Pokud některé zařízení není během spuštění operačního systému rozpoznáno nebo je rozpoznáno, ale není správně nakonfigurováno, můžete k odstranění nekompatibility použít Průvodce při potížích s hardwarem.

- 1 Klepněte na tlačítko **Start** a **Nápověda a odborná pomoc**.
- 2 Zadejte do pole **Hledat** položku **hardware troubleshooter** (Průvodce při potížích s hardwarem) a klepnutím na šipku spusťte hledání.

- 3 V seznamu **Výsledky hledání** klepněte na položku **Průvodce při potížích s hardwarem**.
- 4 V seznamu **Průvodce při potížích s hardwarem** klepněte na položku **Potřebuji odstranit konflikt hardwaru v počítači** a potom klepněte na tlačítko **Další**.

Používání funkce **Obnovení systému operačního systému Microsoft Windows XP**


Operační systém Microsoft Windows XP je vybaven funkcí **Obnovení systému**, která umožňuje vrátit počítač do předchozího funkčního stavu (bez ovlivnění datových souborů), pokud se vlivem změn nastavení hardwaru, softwaru nebo jiných systémových nastavení počítač dostal do nežádoucího provozního stavu. Informace o používání funkce **Obnovení systému** najdete v **Nápovědě a odborné pomoci Windows**. Pokyny při přístupu ke službě **Nápověda a odborná pomoc systému Windows** viz „**Centrum pro nápovědu a odbornou pomoc Windows**“ na straně 66.

 **UPOZORNĚNÍ:** Pravidelně zálohujte datové soubory. Funkce **Obnovení systému** nesleduje ani neobnovuje datové soubory.

Vytvoření bodu obnovení

- 1 Klepněte na tlačítko **Start** a **Nápověda a odborná pomoc**.
- 2 Klepněte na položku **Obnovení systému**.
- 3 Postupujte podle pokynů na obrazovce.

Obnovení počítače do dřívějšího funkčního stavu

 **UPOZORNĚNÍ:** Před obnovením počítače uložte a zavřete všechny otevřené soubory a ukončete všechny spuštěné programy. Dokud nebude obnovení dokončeno, neměňte, nespouštějte ani neodstraňujte žádné soubory nebo programy.

- 1 Klepněte na tlačítko **Start**, přejděte na příkaz **Programy** → **Příslušenství** → **Systémové nástroje** a potom klepněte na ikonu **Obnovení systému**.
- 2 Zkontrolujte, zda je zaškrtnuta možnost **Obnovit předchozí stav počítače** a klepněte na tlačítko **Další**.
- 3 Klepněte na datum v kalendáři, ke kterému chcete počítač obnovit.

Na obrazovce **Vyberte bod obnovení** je k dispozici kalendář, na kterém můžete vyhledávat a vybírat body obnovení. Všechny datумы v kalendáři, pro které jsou k dispozici body obnovení, jsou uvedeny tučným písmem.

- 4 Vyberte bod obnovení a klepněte na tlačítko **Další**.

Pokud je pro některý datum v kalendáři k dispozici pouze jeden bod obnovení, bude automaticky vybrán. Pokud jsou k dispozici dva nebo více bodů obnovení, klepněte na bod, který chcete upřednostnit.

- 5 Klepněte na tlačítko **Další**.

Jakmile funkce **Obnovení systému** dokončí shromažďování dat, zobrazí se obrazovka **Dokončení obnovení** a počítač se restartuje.

- 6 Po restartování počítače klepněte na tlačítko **OK**.

Chcete-li změnit bod obnovení, můžete zopakovat postup s použitím jiného bodu nebo můžete obnovení vrátit.

Vrácení posledního obnovení systému



UPOZORNĚNÍ: Před vrácením posledního obnovení systému uložte a zavřete všechny otevřené soubory a ukončete všechny spuštěné programy. Dokud nebude obnovení dokončeno, neměňte, nespouštějte ani neodstraňujte žádné soubory nebo programy.

- 1 Klepněte na tlačítko **Start**, přejděte na příkaz **Programy**→**Příslušenství**→**Systémové nástroje** a potom klepněte na ikonu **Obnovení systému**.
- 2 Klepněte na tlačítko **Vzít poslední obnovení zpět** a potom klepněte na tlačítko **Další**.
- 3 Klepněte na tlačítko **Další**.
Zobrazí se obrazovka **Obnovení systému** a počítač se restartuje.
- 4 Po restartování počítače klepněte na tlačítko **OK**.

Povolení obnovení systému

Pokud nainstalujete znovu operační systém Windows XP s méně než 200 MB volného místa na pevném disku, bude funkce Obnovení systému automaticky zakázána. Chcete-li ověřit, zda je funkce Obnovení systému povolena:

- 1 Klepněte na tlačítko **Start** a vyberte příkaz **Ovládací panely**.
- 2 Klepněte na ikonu **Výkon a údržba**.
- 3 Klepněte na položku **Systém**.
- 4 Klepněte na kartu **Obnovení systému**.
- 5 Zkontrolujte, zda políčko **Vypnout nástroj Obnovení systému** není zaškrtnuté.

Nová instalace operačního systému Windows XP

Začínáme



POZNÁMKA: Postup uvedený v tomto dokumentu byl napsán pro výchozí zobrazení operačního systému Windows XP Home Edition; zvolíte-li klasické zobrazení nebo používáte-li operační systém Windows XP Professional, bude postup nastavení počítače Dell lišit.

Pokud chcete odstranit problém novou instalací operačního systému Windows XP, při které by se znovu nainstaloval ovladač, zkuste nejprve nástroj Vrácení původního ovladače zařízení v systému Windows XP.

- 1 Klepněte na tlačítko **Start** a vyberte příkaz **Ovládací panely**.
- 2 V části **Výběr kategorie úkolů** vyberte kategorii **Výkon a údržba**.
- 3 Klepněte na položku **Systém**.
- 4 V okně **Vlastnosti systému** klepněte na kartu **hardware**.
- 5 Klepněte na tlačítko **Správce zařízení**.
- 6 Pravým tlačítkem myši klepněte na zařízení, pro které byl nainstalován nový ovladač, a klepněte na tlačítko **Vlastnosti**.
- 7 Klepněte na kartu **Ovladače**.
- 8 Klepněte na tlačítko **Vrátit změny ovladače**.

Pokud nástroj Vrácení původního ovladače zařízení problém neodstraní, pomocí nástroje Obnovení systému vraťte operační systém do funkčního stavu před instalací ovladače nového zařízení (viz „Používání funkce Obnovení systému operačního systému Microsoft Windows XP“ na straně 114).



POZNÁMKA: Disk CD s *ovladači a nástroji* obsahuje ovladače, které byly nainstalovány během výroby počítače. Pomocí disku CD s *ovladači a nástroji* zaveďte požadované ovladače, včetně ovladačů, které jsou vyžadovány počítači s řadičem RAID.

Nová instalace operačního systému Windows XP



UPOZORNĚNÍ: Při nové instalaci operačního systému Windows XP musíte použít aktualizaci Service Pack 1 nebo novější.



UPOZORNĚNÍ: Než provedete instalaci, zazaťlohujte všechny datové soubory na primárním pevném disku. Primární pevný disk je obvykle první disk rozpoznáný počítačem.

Pro novou instalaci operačního systému Windows XP jsou zapotřebí následující položky:

- Disk CD *Dell s operačním systémem*
- Disk CD *Dell s ovladači a nástroji*

Chcete-li znovu nainstalovat operační systém Windows XP, proved'ete všechny kroky v následujících částech v pořadí, ve kterém jsou uvedeny.

Nová instalace může trvat 1 - 2 hodiny. Po dokončení nové instalace operačního systému bude třeba znovu nainstalovat ovladače zařízení, antivirové programy a ostatní software.



UPOZORNĚNÍ: Na disku CD s *operačním systémem* jsou k dispozici možnosti nové instalace systému Windows XP. Tyto možnosti mohou přepsat některé soubory a mohou ovlivnit programy nainstalované na pevném disku. Z tohoto důvodu neprovádějte novou instalaci operačního systému Windows XP, pokud vám k tomu pracovník odborné pomoci společnosti Dell nedá pokyn.



UPOZORNĚNÍ: Před zahájením nové instalace operačního systému Windows XP deaktivujte všechny antivirové programy nainstalované v počítači, aby se zabránilo konfliktům s tímto systémem. Příslušné pokyny najdete v dokumentaci dodané se softwarem.

Zavedení systému z disku CD s operačním systémem

- 1 Uložte a zavřete všechny otevřené soubory a ukončete všechny spuštěné aplikace.
- 2 Vložte disk CD s *operačním systémem*. Pokud se zobrazí zpráva Install Windows XP (Instalace systému Windows XP), klepněte na tlačítko **Konec**.
- 3 Restartujte počítač.
- 4 Stiskněte tlačítko <F12> hned po zobrazení loga DELL.
Pokud se zobrazí logo operačního systému, počkejte, až se zobrazí pracovní plocha systému Windows; potom počítač vypněte a akci opakujte.
- 5 Pomocí tlačítek se šipkami vyberte jednotku CD-ROM a potom stiskněte klávesu <Enter>.
- 6 Po zobrazení zprávy *Press any key to boot from the CD* (Stisknutím libovolné klávesy zaveďte systém z disku CD) stiskněte libovolnou klávesu.

Instalace operačního systému Windows XP

- 1 Po zobrazení obrazovky **Instalace operačního systému Windows XP** vyberte stisknutím klávesy <Enter> možnost **Nainstalovat systém Windows**.
- 2 Přečtěte si informace na obrazovce **Licenční smlouva Microsoft Windows** a stisknutím tlačítka <F8> přijměte podmínky licenční smlouvy.
- 3 Pokud je operační systém Windows XP v počítači již nainstalován a chcete obnovit aktuální data systému Windows XP, zadáním **r** vyberte možnost opravy a vyjměte disk CD.
- 4 Chcete-li nainstalovat novou kopii operačního systému Windows XP, stisknutím klávesy <Esc> vyberte tuto možnost.
- 5 Stisknutím klávesy <Enter> vyberte zvýrazněný oddíl (doporučeno) a postupujte podle pokynů na obrazovce.

Zobrazí se obrazovka **Instalace operačního systému Windows XP** a operační systém začne kopírovat soubory a instalovat zařízení. Počítač se několikrát automaticky restartuje.



POZNÁMKA: Délka instalace závisí na velikosti pevného disku a rychlosti počítače.



UPOZORNĚNÍ: Pokud se zobrazí následující zpráva, netiskněte žádnou klávesu: *Press any key to boot from the CD* (Stisknutím libovolné klávesy zaved'te systém z disku CD).

- 6 Po zobrazení obrazovky **Místní a jazyková nastavení** vyberte nastavení vhodná pro vaše umístění a klepněte na tlačítko **Další**.
- 7 Na obrazovce **Přizpůsobit software** zadejte vaše jméno a organizaci (nepovinné) a klepněte na tlačítko **Další**.
- 8 Na obrazovce **Název počítače a heslo správce** zadejte název vašeho počítače (nebo přijměte nabídnutý název) a heslo a klepněte na tlačítko **Další**.
- 9 Pokud se zobrazí obrazovka **Informace o vytáčení**, zadejte požadované informace a klepněte na tlačítko **Další**.
- 10 V okně **Nastavení data a času** zadejte datum, čas a časovou zónu a klepněte na tlačítko **Další**.
- 11 Pokud se zobrazí obrazovka **Nastavení sítě**, klepněte na možnost **Typická** a potom klepněte na tlačítko **Další**.
- 12 Pokud znovu instalujete operační systém Windows XP Professional a jste vyzváni, abyste zadali další informace o konfiguraci sítě, zadejte požadované výběry. Pokud si nejste jistí, jaká nastavení používáte, použijte výchozí výběr.

Instalátor systému Windows XP nainstaluje součásti operačního systému a nakonfiguruje počítač. Počítač se automaticky restartuje.



UPOZORNĚNÍ: Pokud se zobrazí následující zpráva, netiskněte žádnou klávesu: *Press any key to boot from the CD* (Stisknutím libovolné klávesy zaved'te systém z disku CD).

- 13 Po zobrazení obrazovky **Vítejte v systému Microsoft** klepněte na tlačítko **Další**.
- 14 Po zobrazení zprávy *How will this computer connect to the Internet?* (Jakým způsobem bude tento počítač připojen k Internetu?) klepněte na tlačítko **Přeskočit**.

- 15 Po zobrazení obrazovky **Jste připraveni se zaregistrovat u společnosti Microsoft?** vyberte možnost **Nyní ne** a potom klepněte na tlačítko **Další**.
- 16 Po zobrazení obrazovky **Kdo bude používat tento počítač?** můžete zadat až pět uživatelů.
- 17 Klepněte na tlačítko **Další**.
- 18 Klepnutím na tlačítko **Dokončit** dokončete instalaci a vyjměte disk CD.
- 19 Znovu nainstalujte potřebné ovladače pomocí disku CD *s ovladači a nástroji*.
- 20 Znovu nainstalujte antivirový software.
- 21 Znovu nainstalujte programy.



POZNÁMKA: Chcete-li znovu nainstalovat a aktivovat programy sady Microsoft Office nebo Microsoft Works Suite, použijte kód Product Key, který se nachází na zadní straně obalu disku CD Microsoft Office nebo Microsoft Works Suite.

Používání disku CD s ovladači a nástroji

Používání disku CD *s ovladači a nástroji* (zdrojový disk CD) při práci s operačním systémem Windows.



POZNÁMKA: Chcete-li používat ovladače zařízení a uživatelskou dokumentaci, musíte použít disk *CD s ovladači a nástroji* při práci s operačním systémem Windows.

- 1 Zapněte počítač a nechte zavést operační systém Windows do zobrazení pracovní plochy.
- 2 Vložte disk *CD s ovladači a nástroji* do jednotky CD.

Používáte-li disk *CD s ovladači a nástroji* v tomto počítači poprvé, zobrazí se instalační obrazovka **zdrojového disku CD** se zprávou, že disk *CD s ovladači a nástroji* je připraven zahájit instalaci.

- 3 Pokračujte klepnutím na tlačítko **OK**.
Chcete-li instalaci dokončit, odpovězte na dotazy instalačního programu.
- 4 Na **uvítací obrazovce uživatele počítače Dell** klepněte na tlačítko **Další**.

Vyberte příslušný **model systému, operační systém, typ zařízení a téma**.

Ovladače pro počítač

Zobrazení seznamu ovladačů zařízení pro počítač:

- 1 V rozevíracím seznamu **Téma** vyberte položku **Ovladače**.
Disk *CD s ovladači a nástroji* (volitelný) prohledá hardware počítače a operační systém a zobrazí seznam ovladačů pro konfiguraci systému.
- 2 Klepněte na příslušný ovladač a postupujte podle pokynů pro stažení ovladače do počítače.

Chcete-li zobrazit ovladače dostupné pro váš počítač, v rozevíracím seznamu **Téma** klepněte na položku **Ovladače**.

Rejstřík

Symbols

štítek

Microsoft Windows, 67

štítky

Servisní štítek, 67

B

bezpečnostní pokyny, 66

C

chybové zprávy

diagnostické indikátory, 110

systémové indikátory, 109

zvukové signály, 112

cover

removing, 84

D

Dell Diagnostics, 106

diagnostika

Dell Diagnostics, 106

zvukové signály, 112

Disk CD s operačním systémem, 66

Disk CD s ovladači a nástroji, 65

Disky CD

operační systém, 66

documentation

ergonomie, 66

dokumentace

bezpečnost, 66

Licenční smlouva s koncovým uživatelem, 66

online, 67

Příručka informací o

systému, 66

regulatorní, 66

uživatelská příručka, 65

záruka, 66

E

ergonomické informace, 66

H

hardware

Dell Diagnostics, 106

zvukové signály, 112

Help and Support Center, 66

help file

Windows Help and Support Center, 66

I

indikátor napájení

diagnostikování problémů, 109

indikátory

diagnostické, 110

systém, 109

informace o záruce, 66

instalace částí

než začnete, 85

K

konflikty

nekompatibilita softwaru a hardwaru, 113

konflikty přerušení IRQ, 113

L

Licenční smlouva s koncovým uživatelem, 66

lights

power, 74, 78

O

odstraňování problémů

Dell Diagnostics, 106

diagnostické indikátory, 110

konflikty, 113

Průvodce při odstraňování problémů, 113
systémové indikátory, 109
zvukové signály, 112

operační systém
přinstalování, 66

operating system
reinstalling Windows XP, 115

ovladače
seznam, 118

P

Příručka informací o systému, 66

power
light, 74, 78

problems. *Viz odstraňování problémů*

Průvodce při potížích s hardwarem, 113

R

regulatorní informace, 66

reinstalling
Windows XP, 115

S

Servisní štítek, 67

System Restore, 114

systémová deska, 93, 96, 102

T

troubleshooting
Help and Support Center, 66
restore computer to previous operating state, 114

U

uživatelská příručka, 65

W

web podpory, 67

web podpory Dell, 67

Windows XP
Hardware Troubleshooter, 113
Help and Support Center, 66
přinstalování, 66
Průvodce při odstraňování problémů, 113
reinstalling, 115
setup, 117
System Restore, 114

Z

základní deska. *Viz systémová deska*

zvukové signály, 112

Dell™ OptiPlex™ 745

Snelle Referentiegid

Modellen DCTR, DCNE, DCSM en DCCY

Opmerkingen, kennisgevingen en waarschuwingen



OPMERKING: Een OPMERKING duidt belangrijke informatie aan voor een beter gebruik van de computer.



KENNISGEVING: Een KENNISGEVING duidt de mogelijkheid aan van schade aan hardware of gegevensverlies en laat u weten hoe u het probleem kunt voorkomen.



LET OP: Een WAARSCHUWING duidt het risico van schade aan eigendommen, lichamelijk letsel of overlijden aan.

Als u een Dell™ computer uit de n-serie hebt aangeschaft, zijn de verwijzingen naar de Microsoft® Windows®-besturingssystemen in dit document niet van toepassing.

De informatie in dit document kan zonder voorafgaande kennisgeving worden gewijzigd.

© 2006 Dell Inc. Alle rechten voorbehouden.

Reproductie in welke vorm dan ook zonder de schriftelijke toestemming van Dell Inc. is strikt verboden.

Merken in dit document: *Dell*, het *DELL*-logo, *Inspiron*, *Dell Precision*, *Dimension*, *OptiPlex*, *Latitude*, *PowerEdge*, *PowerVault*, *PowerApp*, en *Dell OpenManage* zijn handelsmerken van Dell Inc.; *Intel*, *Pentium*, en *Celeron* zijn geregistreerde handelsmerken van Intel Corporation; *Microsoft* en *Windows* zijn geregistreerde handelsmerken van Microsoft Corporation.

Andere merken en handelsnamen die mogelijk in dit document worden gebruikt, dienen ter aanduiding van de rechthebbenden met betrekking tot de merken en namen of ter aanduiding van hun producten. Dell Inc. claimt op geen enkele wijze enig eigendomsrecht ten aanzien van andere merken of handelsnamen dan haar eigen merken en handelsnamen.

Modellen DCTR, DCNE, DCSM en DCCY

Augustus 2006

P/N FH898


Rev. A00


Inhoud

Informatie zoeken	125
Systeemaanzichten	128
Mini Tower-computer — vooraanzicht	128
Mini Tower Computer — achteraanzicht	130
Mini Tower Computer — ingangen aan de achterzijde	131
PC — vooraanzicht	133
Desktopcomputer — achteraanzicht	134
Desktopcomputer — ingangen aan achterzijde	135
Small Form Factor-computer — vooraanzicht	137
Small Form Factor-computer — achteraanzicht	138
Small Form Factor-computer — Ingangen aan de achterzijde	139
Ultra-Small Form Factor-computer — vooraanzicht	141
Ultra-Small Form Factor-computer — zijaanzicht	142
Ultra-Small Form Factor-computer — achteraanzicht	143
Ultra-Small Form Factor-computer — ingangen achterzijde	143
De computerkap verwijderen	145
Voordat u begint	145
Mini Tower-computer	146
Pc	147
Small Form Factor-computer	148
Ultra-Small Form Factor-computer	150
Binnen uw computer	152
Mini Tower Computer	152
Pc	155
Small Form Factor-computer	158
Ultra-Small Form Factor Computer	161
De computer instellen	163
Uw toetsenbord en muis instellen	165
Installatie van de monitor	165
Stroomverbindingen	166
Problemen oplossen	166
Dell Diagnostics	166
Systeemplampjes	169

Indicatielampjes	170
PieptonCodes	173
Software en hardware conflicten oplossen	174
Microsoft Windows XP System Restore gebruiken	174
Microsoft Windows XP opnieuw installeren	176
De cd met stuur- en hulpprogramma's gebruiken.	179
Stuurprogramma's voor uw computer	179
Register	181

Informatie zoeken

 **OPMERKING:** Sommige kenmerken of media zijn optioneel en zijn misschien niet meegeleverd met deze computer. Sommige kenmerken of media zijn niet beschikbaar in bepaalde landen.

 **OPMERKING:** Mogelijk werd er bij uw computer bijkomende informatie geleverd.

Waar bent u naar op zoek?

- Een diagnoseprogramma voor de computer
- Stuurprogramma's voor de computer
- Documentatie over mijn computer
- Documentatie over dit apparaat
- DSS (desktopsysteemsoftware)

Hier kunt u het vinden

Drivers and Utilities CD (Stuur- en hulpprogramma's-cd oftewel bron-cd)

OPMERKING: De *Drivers and Utilities* CD (Stuur- en hulpprogramma's-cd) kan optioneel zijn en niet meegeleverd zijn met deze computer.

De documentatie en stuurprogramma's zijn reeds op de computer geïnstalleerd. U kunt deze cd gebruiken om stuurprogramma's opnieuw te installeren (zie "De cd met stuur- en hulpprogramma's gebruiken" op pagina 179); voer Dell Diagnostics uit (zie "Dell Diagnostics" op pagina 166) of raadpleeg de documentatie.



Mogelijk bevat uw cd readme-bestanden met het laatste nieuws over technische wijzigingen van uw computer of geavanceerde technische informatie voor ervaren gebruikers.

OPMERKING: Updates van de stuurprogramma's en documentatie vindt u op support.dell.com.

- Onderdelen verwijderen en vervangen
- Specificaties
- Systeeminstellingen configureren
- Problemen vaststellen en oplossen

Dell™ OptiPlex™-handleiding

Microsoft Windows XP Help en Support Center

1 Klik op **Start** → **Help and Support** (Hulp en ondersteuning) → **Dell User and System Guides** (Dell Gebruikers- en systeem-informatiehandleiding) → **System Guides** (Systeem-informatiehandleiding).

2 Klik op de *handleiding* voor deze computer.

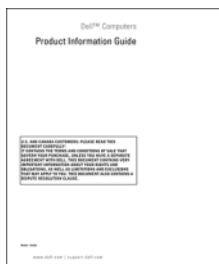
De handleiding is tevens aanwezig op de cd optional *Drivers and Utilities* (Stuur- en hulpprogramma's).

Waar bent u naar op zoek?

- Garantie-informatie
- Algemene voorwaarden (alleen Verenigde Staten)
- Veiligheidsinstructies
- Informatie over regelgeving
- Ergonomische informatie
- Licentieovereenkomst voor eindgebruikers

Hier kunt u het vinden

DELL™ Productinformatiegids



-
- Het besturingssysteem opnieuw installeren

Besturingssysteem-cd

OPMERKING: De *Operating System CD* (Besturingssysteem-cd) kan optioneel zijn en niet meegeleverd zijn met deze computer.

Het besturingssysteem is reeds op de computer geïnstalleerd. Gebruik om uw besturingssysteem opnieuw te installeren de *Besturingssysteem-cd* (zie "Microsoft Windows XP opnieuw installeren" op pagina 176).



Nadat uw het besturingssysteem opnieuw hebt geïnstalleerd, kunt u de optionele *Stuur- en hulpprogramma's-cd* (*bron-cd*) gebruiken om de stuurprogramma's voor de hardware die met uw computer werd meegeleverd, opnieuw te installeren. Raadpleeg

voor meer informatie "Drivers and Utilities CD (Stuur- en hulpprogramma's-cd oftewel bron-cd)" op pagina 125.

Het etiket met de productsleutel voor uw besturingssysteem bevindt zich op uw computer (zie "Servicelabel en Microsoft® Windows®-productsleutel" op pagina 127).

OPMERKING: De kleur van uw *Besturingssysteem-cd* varieert met het besturingssysteem dat u hebt besteld.

-
- Met Windows XP werken
 - Met programma's en bestanden werken
 - Het bureaublad personaliseren

Windows Help en Support Center

- 1 Klik op **Start** → **Help and Support** (Hulp en ondersteuning).
- 2 Geef met een of meer woorden een beschrijving van het probleem en klik vervolgens op het pijlpictogram.
- 3 Klik op het onderwerp dat uw probleem beschrijft.
- 4 Volg de instructies op het scherm.

Waar bent u naar op zoek?

- Servicelabel en express-servicecode
- Etiket met productsleutel voor Microsoft Windows

Hier kunt u het vinden

Servicelabel en Microsoft® Windows®-productsleutel

Deze labels bevinden zich op de computer.

- Gebruik het servicelabel om uw computer te identificeren wanneer u **support.dell.com** gebruikt of contact opneemt met de technische ondersteuning.
- Voer de Express Service Code in om met de juiste medewerker van de technische ondersteuning te worden verbonden.



- Solutions — Hints en tips op het gebied van probleemoplossing, artikels van technici, online trainingen en FAQ's
- Community — online discussies met andere gebruikers van Dell-producten
- Upgrades — Upgradeinformatie voor onderdelen, zoals het geheugen, de harde schijf en het besturingssysteem
- Customer Care — Contactgegevens, de status van problemen en bestellingen, en garantie- en reparatiegegevens
- Service and support — De status van problemen, een ondersteuningshistorie, servicecontracten en online discussies met de technische ondersteuning
- Referentiemateriaal — Computerdocumentatie, details over mijn computerinstellingen, productspecificaties en white papers
- Downloads — Geautoriseerde stuurprogramma's, patches en software-updates
- Desktop System Software (DSS) — Als u het besturingssysteem opnieuw installeert, moet u ook de utility DSS opnieuw installeren. DSS detecteert automatisch uw computer en besturingssysteem, installeert de benodigde updates voor uw configuratie en voorziet u voor kritieke updates voor uw besturingssysteem en ondersteuning voor Dell™ 3.5-inch USB floppy drives, Intel®-processors, optische stations en USB-apparaten. DSS is benodigd voor een juiste werking van uw Dell-computer.

Dell Support-website — support.dell.com

OPMERKING: Selecteer uw regio of zakelijk segment voor de juiste support-website.

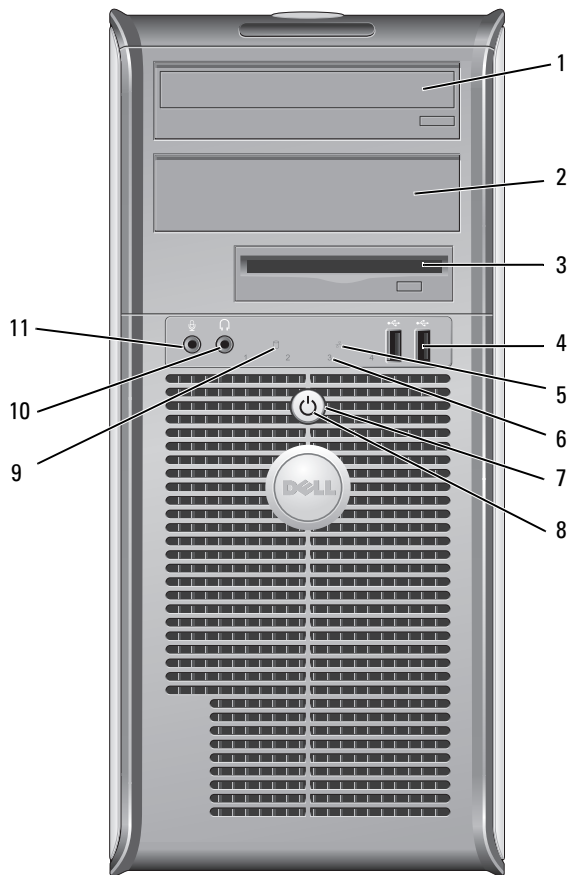
Om Desktop System Software te downloaden gaat u als volgt te werk:



- 1 Ga naar **support.dell.com**, selecteer uw regio of zakelijk segment, en voer uw servicelabel in.
- 2 Selecteer **Drivers & Downloads** en klik vervolgens op **Go**.
- 3 Selecteer uw besturingssysteem en zoek op het trefwoord *Desktop System Software*.

OPMERKING: De gebruikersinterface van **support.dell.com** kan er anders uitzien, afhankelijk van de keuzes die u hebt gemaakt.

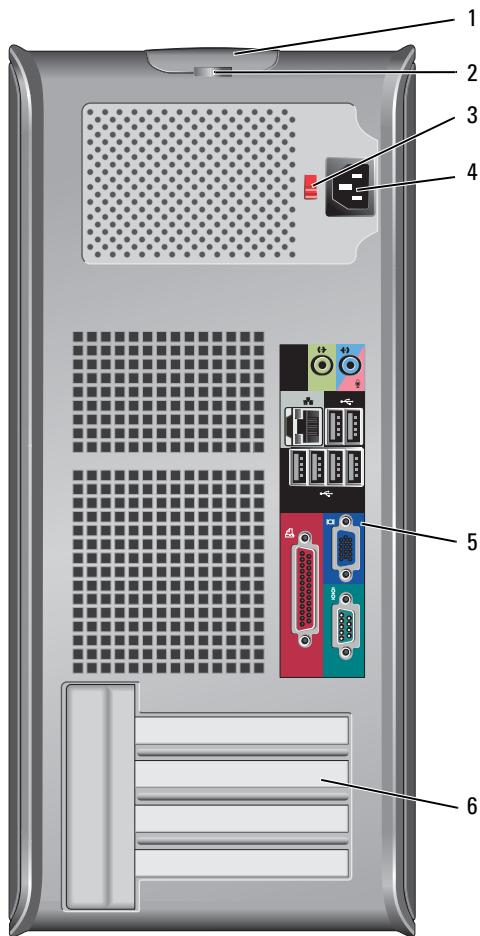
Systemaanzichten

Mini Tower-computer — vooraanzicht



- | | | |
|----|--------------------------------|---|
| 1 | 5.25-inch-basisstation | Bevat mogelijk een optisch station. Plaats een cd of dvd (indien ondersteund) in dit station. |
| 2 | 5.25-inch-basisstation | Bevat mogelijk een optisch station. Plaats een cd of dvd (indien ondersteund) in dit station. |
| 3 | 3.5-inch basisstation | Bevat mogelijk een optioneel disktestation of een optionele mediakaartlezer. |
| 4 | USB 2.0-ingangen (2) | <p>Gebruik de USB-aansluitingen aan de voorzijde voor apparaten die u af en toe aansluit, zoals joysticks en camera's, of voor opstartbare USB-apparaten (zie uw online <i>handleiding</i> voor meer informatie over het opstarten vanaf een USB-apparaat).</p> <p>Het verdient de aanbeveling om de USB-ingangen aan de achterzijde te gebruiken voor apparaten die aangesloten blijven, zoals printers en toetsenborden.</p> |
| 5 | LAN-indicatielampje | Dit lampje geeft aan dat er een LAN (Local Area Network)-verbinding is gemaakt. |
| 6 | diagnostieklampjes | Met behulp van deze lampjes kunt u een computerprobleem oplossen op basis van de diagnostische code. Raadpleeg voor meer informatie "Indicatielampjes" op pagina 170 |
| 7 | aan/uit-knop | <p>Druk op deze knop om de computer uit te zetten.</p> <p> KENNISGEVING: Om gegevensverlies te voorkomen, moet u de computer niet uitzetten met behulp van de aan/uit-knop. U moet de computer daarentegen uitschakelen via het besturingssysteem. Raadpleeg voor meer informatie "Voordat u begint" op pagina 145.</p> <p> KENNISGEVING: Als ACPI is geactiveerd voor uw besturingssysteem, zal de computer worden uitgezet door het besturingssysteem als u op de aan/uit-knop drukt.</p> |
| 8 | lampje voeding | <p>Het stroomlampje licht op, knippert of blijft branden om de verschillende werkstanden aan te geven:</p> <ul style="list-style-type: none"> • Geen lichtje — De computer staat uit. • Aanhoudend groen — De computer bevindt zich in een normale werkstand. • Groen knipperend — De computer bevindt zich in een energiebesparende stand. • Knipperend of aanhoudend oranje — zie uw online handleiding. <p>Om een energiebesparende stand te verlaten drukt u op de aan/uit-knop of gebruikt u het toetsenbord of de muis als deze zijn ingesteld als wekapparaten in Windows Hardwarebeheer. Raadpleeg voor meer informatie over slaapstanden en het verlaten van een energiebesparende stand uw online handleiding.</p> <p>Raadpleeg voor een beschrijving van lichtcodes op basis waarvan u computerproblemen kunt oplossen. "Systeemplampjes" op pagina 169.</p> |
| 9 | activiteitslampje vaste schijf | Dit lampje licht op wanneer er toegang tot de harde schijf wordt gezocht. |
| 10 | connector koptelefoon | Gebruik de ingang voor de koptelefoon om koptelefoons en de meeste typen speakers aan te sluiten. |
| 11 | microfooningang | Gebruik de microfooningang om een microfoon aan te sluiten. |

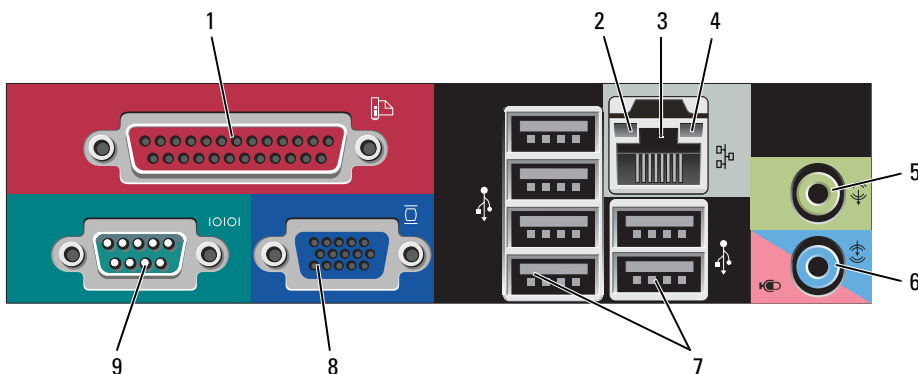
Mini Tower Computer — achteraanzicht



- 1 ontgrendelingsmechanisme voor computerkap Met dit ontgrendelingsmechanisme kunt u de computerkap openen.
- 2 hangslotbeugel Breng een hangslot aan om de computerkap te vergrendelen.

- 3 voltagekeuzeschakelaar Uw computer is voorzien van een handmatige voltagekeuzeschakelaar. Om schade aan de computer door een handmatige voltagekeuzeschakelaar te voorkomen, moet u de schakelaar instellen op het stroomniveau die het beste overeenkomt met de wisselstroom die voor uw locatie beschikbaar is.
- ➡ KENNISGEVING:** De voltagekeuzeschakelaar moet worden ingesteld op de 115-V-stand, zelfs als de in Japan beschikbare netstroom 100 V is.
- Ook moet u ervoor zorgen dat de stroomvereisten voor de monitor en gekoppelde apparaten overeenkomen met de voor uw locatie beschikbare wisselstroom.
- 4 stroomaansluiting Sluit de stroomkabel aan.
- 5 verbindingen op het achterpaneel Sluit de seriële, USB- en andere apparaten op de relevante ingangen aan (zie "Mini Tower Computer — ingangen aan de achterzijde" op pagina 131).
- 6 kaartsleuven Toegangsansluitingen voor geïnstalleerde PCI- en PCI Express-kaarten.

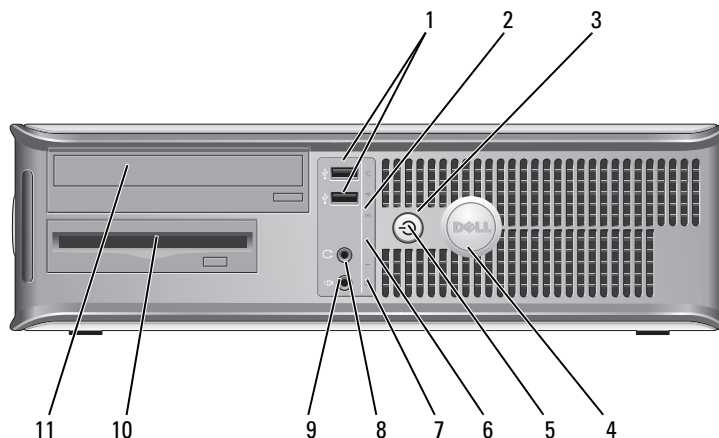
Mini Tower Computer — ingangen aan de achterzijde



- 1 parallele ingang Sluit parallele apparaten zoals een printer aan op de parallele ingang. Als u over een USB-printer beschikt, moet u deze aansluiten op een USB-ingang.
- OPMERKING:** De geïntegreerde parallele ingang wordt automatisch gedeactiveerd als de computer een geïnstalleerde kaart detecteert die een parallele ingang bevat die op hetzelfde adres is geconfigureerd. Raadpleeg voor meer informatie uw online handleiding.
- 2 lampje verbindingintegriteit
- Groen — Er is een succesvolle verbinding tussen een 10 Mbps-netwerk en de computer.
 - Oranje — Er is een succesvolle verbinding tussen een 100 Mbps-netwerk en de computer.
 - Geel — Er is een succesvolle verbinding tussen een 1 Gbps-(of 1000 Mbps)-netwerk en de computer.
 - Uit — De computer detecteert geen fysieke verbinding met het netwerk.

- 3 ingang netwerkadapter Om de computer aan te sluiten op een netwerk of breedbandapparaat moet u een uiteinde van de netwerkkabel aansluiten op een netwerkcontact of een netwerk- of breedbandapparaat. Sluit het andere gedeelte van de netwerkkabel aan op de netwerkadapteringang op het achterpaneel van de computer. Een klikgeluid geeft aan dat de netwerkkabel goed vastzit.
OPMERKING: Sluit geen telefoonkabel aan op de netwerkingang.
- Bij computers met een netwerkkaart moet u de aansluiting op de kaart gebruiken. U wordt aangeraden om Category 5-bedrading en -ingenen voor uw netwerk te gebruiken. Als u toch gebruikmaakt van Category 3-bedrading, moet u de netwerksnelheid naar 10 Mbps forceren om een betrouwbare werking te garanderen.
- 4 netwerkactiviteitslampje Licht geel op als de computer netwerkgegevens verzendt of ontvangt. Als gevolg van een hoog netwerkvolume kan het lijken of dit lampje aanhoudend brandt.
- 5 line out-ingang Gebruik de groene line-out-ingang om de meeste speakers met ingebouwde versterkers aan te sluiten.
- 6 line in-/microfooningang Gebruik de blauwe en roze line in-/microfooningang om een apparaat voor opnemen en afspelen zoals een cassettespeler, cd-speler of videorecorder aan te sluiten, of een PC-microfoon voor spraak- of muziekinput naar een geluids- of telefonieprogramma.
- 7 USB 2.0-ingangen (6) Gebruik de USB-ingangen aan de achterzijde voor apparaten die normaliter aangesloten blijven, zoals printers en toetsenborden.
- 8 video-ingang Sluit de kabel van de VGA-compatibele monitor aan op de blauwe ingang.
OPMERKING: Als u een optionele grafische kaart hebt aangeschaft, zal deze ingang zijn bedekt met een deksel. Sluit de monitor aan op de ingang van de grafische kaart. Verwijder het deksel niet.
OPMERKING: Als u een grafische kaart gebruikt die ondersteuning biedt voor twee monitors, moet u de y-kabel gebruiken die met uw computer werd meegeleverd.
- 9 seriële connector Sluit een serieel apparaat zoals een handheld apparaat op de seriële poort aan. De standaardtoewijzingen zijn COM1 voor seriële ingang 1 en COM2 voor seriële ingang 2.
Raadpleeg voor meer informatie uw online handleiding.

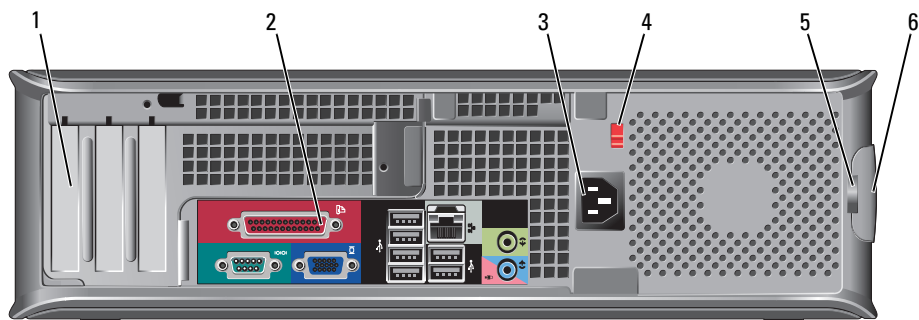
PC — vooraanzicht



- 1 USB 2.0-ingangen (2) Gebruik de USB-ingangen aan de voorzijde voor apparaten die u zo nu en dan aansluit, zoals joysticks en camera's, of voor opstartbare USB-apparaten (raadpleeg de online *handleiding* voor meer informatie over het opstarten vanaf een USB-apparaat).
Het verdient de aanbeveling om de USB-ingangen aan de achterzijde te gebruiken voor apparaten die aangesloten blijven, zoals printers en toetsenborden.
- 2 LAN-indicatielampje Dit lampje geeft aan dat er een LAN (Local Area Network)-verbinding is gemaakt.
- 3 aan/uit-knop Druk op deze knop om de computer uit te zetten.
➡ KENNISGEVING: Om gegevensverlies te voorkomen moet u de computer niet uitschakelen met behulp van de aan/uit-knop. U moet de computer daarentegen uitschakelen via het besturingssysteem. Raadpleeg voor meer informatie "Voordat u begint" op pagina 145.
➡ KENNISGEVING: Als ACPI is geactiveerd voor uw besturingssysteem, zal de computer worden uitgezet door het besturingssysteem als u op de aan/uit-knop drukt.
- 4 Dell-logo Dit logo kan in de stand van de computer worden gedraaid. Plaats hiervoor uw vingers aan de buitenkant van het logo, druk het logo flink aan en verdraai het. U kunt het logo ook draaien met behulp van de inkeping onderaan het logo.

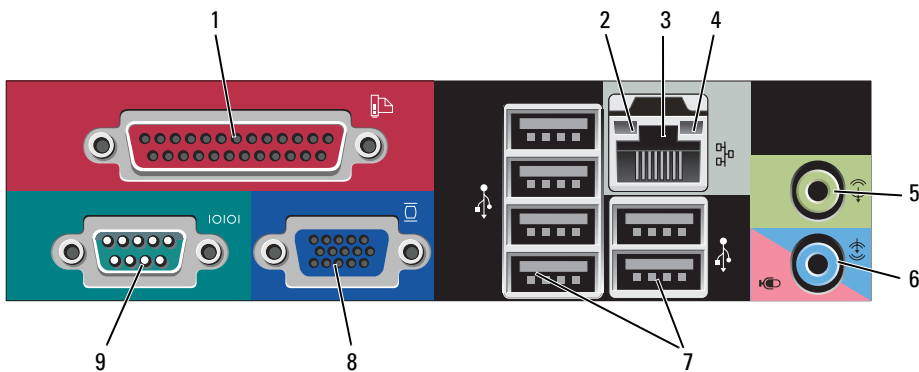
- 5 stroomlampje Het stroomlampje licht op en knippert of blijft branden om verschillende werkstanden aan te geven:
- Geen lichtje — De computer staat uit.
 - Aanhoudend groen — De computer bevindt zich in een normale werkstand.
 - Groen knipperend — De computer bevindt zich in een energiebesparende stand.
 - Knipperend of aanhoudend oranje — Zie uw online handleiding.
- Om een energiebesparende stand te verlaten drukt u op de aan/uit-knop of gebruikt u het toetsenbord of de muis als deze zijn ingesteld als wekapparaten in Windows Hardwarebeheer. Raadpleeg voor meer informatie over slaapstanden en het verlaten van een energiebesparende stand de online handleiding.
- Raadpleeg voor een beschrijving van lichtcodes op basis waarvan u computerproblemen kunt oplossen "Systeemplampjes" op pagina 169.
- 6 diagnostieklampjes Met behulp van deze lampjes kunt u een computerprobleem oplossen op basis van de diagnostische code. Raadpleeg voor meer informatie "Indicatielampjes" op pagina 170
- 7 activiteitslampje vaste schijf Dit lampje licht op wanneer er toegang tot de harde schijf wordt gezocht.
- 8 koptelefooningang Gebruik de ingang voor de koptelefoon om koptelefoons en de meeste typen speakers aan te sluiten.
- 9 microfooningang Gebruik de microfooningang om een microfoon aan te sluiten.
- 10 3.5-inch-basisstation Bevat mogelijk een optioneel diskettestation of een optionele mediakaartlezer.
- 11 5.25-inch-basisstation Bevat mogelijk een optisch station. Plaats een cd of dvd (indien ondersteund) in dit station.

Desktopcomputer — achteraanzicht



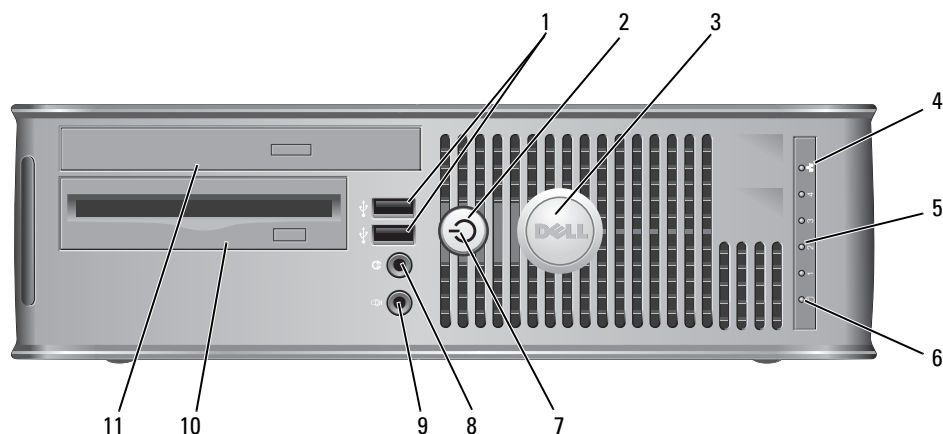
- | | | |
|---|--|---|
| 1 | kaartsleuven | Toegangsansluitingen voor geïnstalleerde PCI- en PCI Express-kaarten. |
| 2 | verbindingen op het achterpaneel | Sluit seriële, USB- en andere apparaten aan op de toepasselijke ingangen (zie "Desktopcomputer — ingangen aan achterzijde" op pagina 135). |
| 3 | stroomaansluiting | Sluit het stroom snoer aan. |
| 4 | voltagekeuzeschakelaar | Uw computer is uitgerust met een handmatige voltageselectieschakelaar.
Om te voorkomen dat de computer beschadigd raakt als gevolg van het gebruik van een handmatige stroomselectieschakelaar, moet u de schakelaar instellen op de spanning die het dichtst in de buurt komt van de netstroom die op uw locatie beschikbaar is.
➡ KENNISGEVING: De voltageselectieschakelaar moet worden ingesteld op de 115 V-stand, zelfs al is de beschikbare netstroom in Japan 100 V. |
| 5 | hangslotbeugel | Breng een hangslot aan om de computerkap te vergrendelen. |
| 6 | ontgrendelingsmechanisme voor de computerkap | Hiermee kunt u de computerkap openen. |

Desktopcomputer — ingangen aan achterzijde



- 1 parallele ingang Sluit parallele apparaten zoals een printer aan op de parallele ingang. Als u over een USB-printer beschikt, moet u deze aansluiten op een USB-ingang.
OPMERKING: De geïntegreerde parallele ingang wordt automatisch gedeactiveerd als de computer een geïnstalleerde kaart detecteert die een parallele ingang bevat die op hetzelfde adres is geconfigureerd. Raadpleeg voor meer informatie de online *handleiding*.
- 2 lampje verbindingintegriteit
- Groen — Er is een succesvolle verbinding tussen een 10 Mbps-netwerk en de computer.
 - Oranje — Er is een succesvolle verbinding tussen een 100 Mbps-netwerk en de computer.
 - Geel — Er is een succesvolle verbinding tussen een 1 Gbps-(of 1000 Mbps)-netwerk en de computer.
 - Uit — De computer detecteert geen fysieke verbinding met het netwerk.
- 3 ingang netwerkadapter Om de computer aan te sluiten op een netwerk of breedbandapparaat moet u een uiteinde van de netwerkkabel aansluiten op een netwerkcontact of een netwerk- of breedbandapparaat. Sluit het andere gedeelte van de netwerkkabel aan op de netwerkadapteringang op het achterpaneel van de computer. Een klikgeluid geeft aan dat de netwerkkabel goed vastzit.
OPMERKING: Sluit geen telefoonkabel aan op de netwerk-ingang.
Op computers met een netwerkkaart dient u de ingang op de kaart gebruiken.
U wordt aangeraden om Category 5-bedrading en -ingangen voor uw netwerk te gebruiken. Als u toch gebruikmaakt van Category 3-bedrading, moet u de netwerksnelheid naar 10 Mbps forceren om een betrouwbare werking te garanderen.
- 4 netwerkactiviteitslampje Er gaat een geel licht knippen als de computer netwerkgegevens verzendt of ontvangt. Als gevolg van een hoog netwerkvolume kan het lijken of dit lampje aanhoudend brandt.
- 5 lijn uit-ingang Gebruik de groene line-outingang om de meeste speakers met geïntegreerde versterkers aan te sluiten.
- 6 line-in-/microfooningang Gebruik de blauwe en roze line-in-/microfooningang om een opneem-/afspeelapparaat aan te sluiten, zoals een cassettespeler, cd-speler of videorecorder of een optionele PC-microfoon voor spraak- of muziekinput naar een geluids- of telefonieprogramma
- 7 USB 2.0-ingangen (6) Gebruik de USB-ingangen aan de achterzijde voor apparaten die normaliter aangesloten blijven, zoals printers en toetsenborden.
- 8 video-ingang Sluit de kabel van de VGA-compatibele monitor aan op de blauwe ingang.
OPMERKING: Als u een optionele grafische kaart hebt aangeschaft, zal deze ingang zijn bedekt met een deksel. Sluit de monitor aan op de ingang van de grafische kaart. Verwijder het deksel niet.
OPMERKING: Als u een grafische kaart gebruikt die ondersteuning biedt voor twee monitors, moet u de y-kabel gebruiken die met uw computer werd meegeleverd.
- 9 seriële ingang Sluit een serieel apparaat zoals een handheld apparaat op de seriële poort aan. De standaardtoewijzingen zijn COM1 voor seriële ingang 1 en COM2 voor seriële ingang 2.
Raadpleeg voor meer informatie de online *handleiding*.

Small Form Factor-computer — vooraanzicht



- 1 USB 2.0-ingangen (2) Gebruik de USB-ingangen aan de voorzijde voor apparaten die u zo nu en dan aansluit, zoals joysticks en camera's, of voor opstartbare USB-apparaten (raadpleeg de online *handleiding* voor meer informatie over het opstarten vanaf een USB-apparaat).

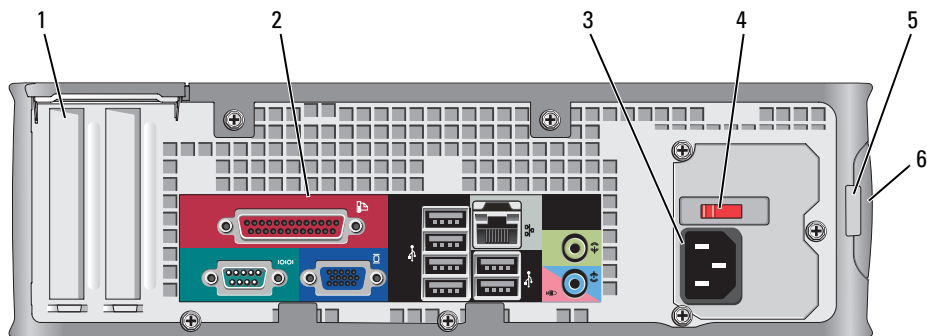
Het verdient de aanbeveling om de USB-ingangen aan de achterzijde te gebruiken voor apparaten die aangesloten blijven, zoals printers en toetsenborden.
- 2 aan/uit-knop Druk deze knop in om de computer aan te zetten.

➔ **KENNISGEVING:** Om gegevensverlies te voorkomen mag u de computer niet uitschakelen met behulp van de aan/uit-knop. U moet de computer daarentegen uitschakelen via het besturingssysteem. Raadpleeg voor meer informatie "Voordat u begint" op pagina 145

➔ **KENNISGEVING:** Als ACPI is geactiveerd voor uw besturingssysteem, zal de computer worden uitgezet door het besturingssysteem als u op de aan/uit-knop drukt.
- 3 Dell-logo Kan worden gedraaid om de stand waarin de computer staat opgesteld. Om het logo te draaien, moet u uw vingers om de rand van het logo plaatsen, het logo flink indrukken en vervolgens draaien. U kunt het logo ook draaien met behulp van de inkeping onderaan het logo.
- 4 LAN-indicatielampje Geeft aan dat er een LAN (Local Area Network)-verbinding is gemaakt.
- 5 diagnostieklampjes Met behulp van deze lampjes kunt u een computerprobleem oplossen op basis van de diagnostische code. Raadpleeg voor meer informatie "Indicatielampjes" op pagina 170
- 6 indicatielampje voor activiteit op de harde schijf Dit lampje begint te knipperen als er toegang tot de harde schijf wordt gezocht.

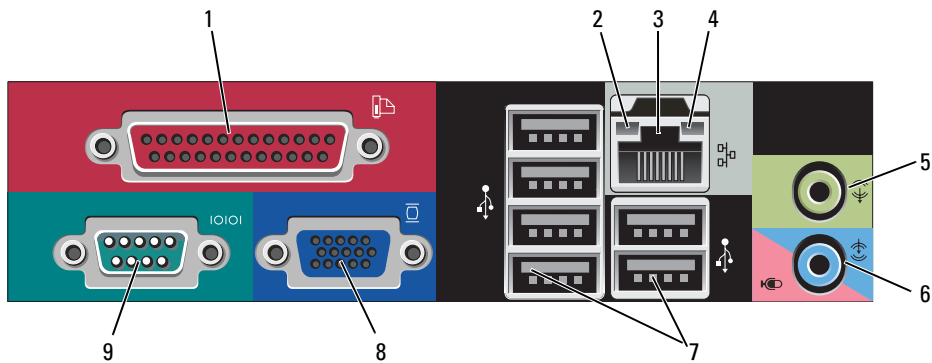
- 7 stroomlampje Het stroomlampje licht op en knippert of blijft branden om verschillende werkstanden aan te geven:
- Geen lichtje — De computer staat uit.
 - Aanhoudend groen — De computer bevindt zich in een normale werkstand.
 - Groen knipperend — De computer bevindt zich in een energiebesparende stand.
 - Knipperend of aanhoudend oranje — Raadpleeg de online *handleiding*.
- Om een energiebesparende stand te verlaten drukt u op de aan/uit-knop of gebruikt u het toetsenbord of de muis als deze zijn ingesteld als wekapparaten in Windows Hardwarebeheer. Raadpleeg voor meer informatie over slaapstanden en het verlaten van een energiebesparende stand de online *handleiding*.
- Raadpleeg "Systeemplampjes" op pagina 169 voor een beschrijving van lichtcodes die u kunnen helpen om problemen met uw computer op te lossen.
- 8 koptelefooningang Gebruik de ingang voor de koptelefoon om koptelefoons en de meeste typen speakers aan te sluiten.
- 9 microfooningang Gebruik de microfooningang om een microfoon aan te sluiten.
- 10 3.5-inch basisstation Kan een optionele diskdrive of mediakaartlezer bevatten.
- 11 5.25-inch basisstation Kan een optisch station bevatten. Voer een cd of dvd (indien ondersteund) in dit station in.

Small Form Factor-computer — achteraanzicht



- | | | |
|---|--|--|
| 1 | kaartsleuven | Toegangsansluitingen voor geïnstalleerde PCI- of PCI Express-kaarten. |
| 2 | verbindingen op het achterpaneel | Sluit seriële, USB- en andere apparaten aan op de relevante ingangen (zie "Small Form Factor-computer — Ingangen aan de achterzijde" op pagina 139). |
| 3 | stroomaansluiting | Sluit het stroom snoer aan. |
| 4 | voltagekeuzeschakelaar | Uw computer is uitgerust met een handmatige voltageselectieschakelaar.
Om te voorkomen dat de computer beschadigd raakt als gevolg van het gebruik van een handmatige stroomselectieschakelaar, moet u de schakelaar instellen op de spanning die het dichtst in de buurt komt van de netstroom die op uw locatie beschikbaar is. |
| | | ➔ KENNISGEVING: De voltageselectieschakelaar moet worden ingesteld op de 115 V-stand, ondanks het feit dat de netspanning in Japan 100 V is. |
| | | Ook moet u ervoor zorgen dat de stroomvereisten voor de monitor en gekoppelde apparaten overeenkomen met de voor uw locatie beschikbare wisselstroom. |
| 5 | hangslotbeugel | Breng een hangslot aan om de computerkap te vergrendelen. |
| 6 | ontgrendelingsmechanisme voor de computerkap | Hiermee kunt u de computerkap openen. |

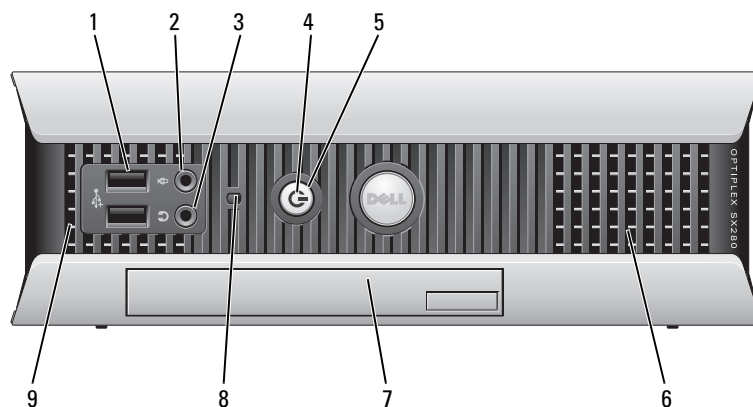
Small Form Factor-computer — Ingangen aan de achterzijde



- | | | |
|---|----------------------------------|--|
| 1 | parallele ingang | <p>Sluit parallele apparaten zoals een printer aan op de parallele ingang. Als u over een USB-printer beschikt, moet u deze aansluiten op een USB-ingang.</p> <p>OPMERKING: De geïntegreerde parallele ingang wordt automatisch gedeactiveerd als de computer een geïnstalleerde kaart detecteert die een parallele ingang bevat die op hetzelfde adres is geconfigureerd. Raadpleeg voor meer informatie de online handleiding.</p> |
| 2 | lampje
verbindingsintegriteit | <ul style="list-style-type: none"> • Groen — Er is een succesvolle verbinding tussen een 10 Mbps-netwerk en de computer. • Oranje — Er is een succesvolle verbinding tussen een 100 Mbps-netwerk en de computer. • Geel — Er is een succesvolle verbinding tussen een 1 Gbps-(of 1000 Mbps)-netwerk en de computer. • Uit — De computer detecteert geen fysieke verbinding met het netwerk. |
| 3 | ingang netwerkadapter | <p>Om de computer aan te sluiten op een netwerk of breedbandapparaat moet u een uiteinde van de netwerkkabel aansluiten op een netwerkcontact of een netwerk- of breedbandapparaat. Sluit het andere gedeelte van de netwerkkabel aan op de netwerkadapteringang op het achterpaneel van de computer. Een klikgeluid geeft aan dat de netwerkkabel goed vastzit.</p> <p>OPMERKING: Sluit geen telefoonkabel aan op de netwerkingang.</p> <p>Op computers met een netwerkkkaart moet u de ingang op de kaart gebruiken.</p> <p>U wordt aangeraden om Category 5-bedrading en -ingangen voor uw netwerk te gebruiken. Als u toch gebruikmaakt van Category 3-bedrading, moet u de netwerksnelheid naar 10 Mbps forceren om een betrouwbare werking te garanderen.</p> |
| 4 | netwerkactiviteitslampje | <p>Er gaat een geel licht knipperen als de computer netwerkgegevens verzendt of ontvangt. Als gevolg van een hoog netwerkvolume kan het lijken of dit lampje aanhoudend brandt.</p> |
| 5 | lijn uit-ingang | <p>Gebruik de groene line-outingang (beschikbaar op computers met geïntegreerd geluid) om de meeste speakers met geïntegreerde versterkers aan te sluiten.</p> |
| 6 | line-in-/microfooningang | <p>Gebruik de blauwe en roze line-in-/microfooningang (beschikbaar op computers met geïntegreerd geluid) om een apparaat voor opname/afspelen aan te sluiten, zoals een cassettespeler, cd-speler of videorecorder of een PC-microfoon voor spraak- of muziekinvoer naar een geluids- of telefonieprogramma.</p> |
| 7 | USB 2.0-ingangen (6) | <p>Gebruik de USB-ingangen aan de achterzijde voor apparaten die normaliter aangesloten blijven, zoals printers en toetsenborden.</p> |

- 8 video-ingang Sluit de kabel van de VGA-compatibele monitor aan op de blauwe ingang.
OPMERKING: Als u een optionele grafische kaart hebt aangeschaft, zal deze ingang zijn bedekt met een deksel. Sluit de monitor aan op de ingang van de grafische kaart. Verwijder het deksel niet.
OPMERKING: Als u een grafische kaart gebruikt die ondersteuning biedt voor twee monitors, moet u de y-kabel gebruiken die met uw computer werd meegeleverd.
- 9 seriële ingang Sluit een serieel apparaat zoals een handheld apparaat op de seriële poort aan. De standaardtoewijzingen zijn COM1 voor seriële ingang 1 en COM2 voor seriële ingang 2.
 Raadpleeg voor meer informatie de online handleiding.

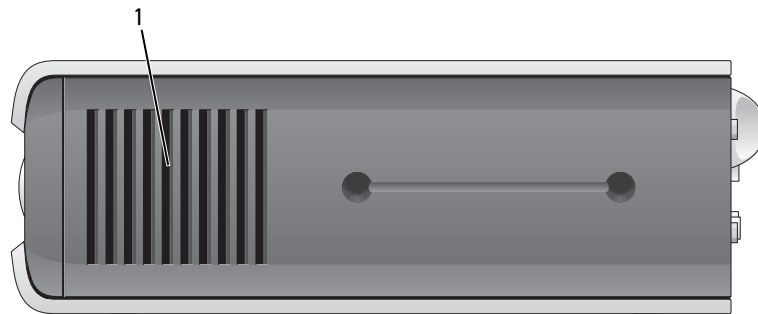
Ultra-Small Form Factor-computer — vooraanzicht



- 1 USB-ingangen (2) Gebruik de USB-ingangen aan de voorzijde voor apparaten die u zo nu en dan aansluit, zoals joysticks en camera's, of voor opstartbare USB-apparaten (raadpleeg de online *handleiding* voor meer informatie over het opstarten vanaf een USB-apparaat).
 Het verdient de aanbeveling om de USB-ingangen aan de achterzijde te gebruiken voor apparaten die aangesloten blijven, zoals printers en toetsenborden.
- 2 koptelefooningang Gebruik de ingang voor de koptelefoon om koptelefoons en de meeste typen speakers aan te sluiten.
- 3 microfooningang Gebruik de microfooningang om een microfoon aan te sluiten.

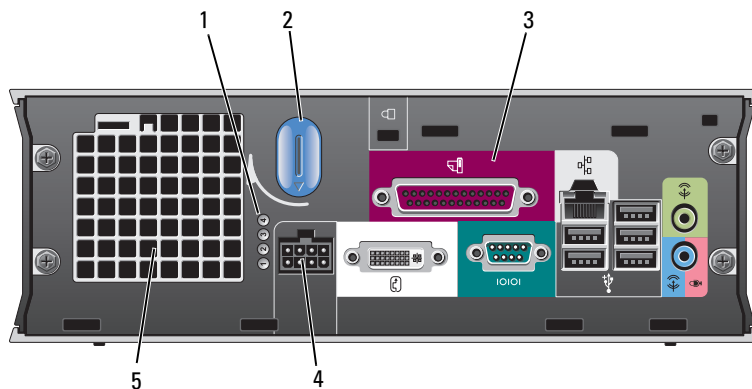
- 4 lampje voeding Het stroomlampje licht op en knippert of blijft aanhoudend branden om verschillende statussen aan te geven:
- Geen licht — De computer staat uit.
 - Aanhoudend groen — De computer bevindt zich in een normale werkstand.
 - Groen knipperend — De computer bevindt zich in een energiebesparende stand.
 - Knipperend of aanhoudend geel — zie uw online *handleiding*.
- Om een energiebesparende stand te verlaten drukt u op de aan/uit-knop of gebruikt u het toetsenbord of de muis als deze zijn ingesteld als wekapparaten in Windows Hardwarebeheer. Raadpleeg voor meer informatie over slaapstanden en het verlaten van een energiebesparende stand de online *handleiding*.
- Raadpleeg voor een beschrijving van lichtcodes op basis waarvan u computerproblemen kunt oplossen "Systeemplampjes" op pagina 169
- 5 aan/uit-knop Druk op deze knop om de computer uit te zetten.
- ➡ KENNISGEVING:** Om gegevensverlies te voorkomen moet u de computer niet uitzetten met behulp van de aan/uit-knop. U moet de computer daarentegen uitschakelen via het besturingssysteem. Raadpleeg voor meer informatie "Voordat u begint" op pagina 145
- 6 luchtopeningen De luchtopeningen helpen uw computer te beschermen tegen oververhitting. Om een juiste ventilatie te garanderen mag u deze luchtgaten niet blokkeren.
- 7 modulaire media-bay Installeer een optische D-module-schijf, tweede harde schijf of diskettestation in de module bay.
- 8 lampje voor harde-schijftoegang Het lampje voor harde-schijftoegang licht op als de computer gegevens van de harde schijf leest of daarnaar schrijft. Het lampje kan ook branden als apparaten zoals de cd-speler werkzaam zijn.
- 9 luchtopeningen De luchtgaten helpen om uw computer tegen oververhitting te beschermen. Om een juiste ventilatie te garanderen mag u deze luchtgaten niet blokkeren.

Ultra-Small Form Factor-computer — zijanzicht



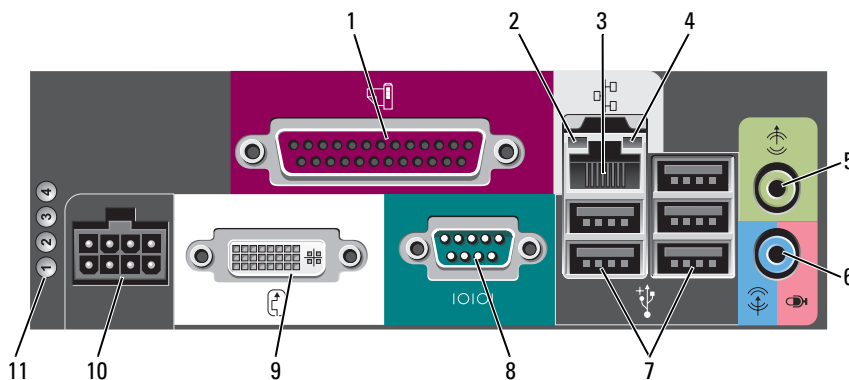
- 1 **luchtopening** De luchtopeningen aan beide zijden van de computer helpen om uw computer tegen oververhitting te beschermen. Om een juiste ventilatie te garanderen mag u deze luchtgaten niet blokkeren.

Ultra-Small Form Factor-computer — achteraanzicht



- | | | |
|---|----------------------------------|--|
| 1 | diagnostieklampjes | Raadpleeg voor een beschrijving van lichtcodes op basis waarvan u computerproblemen kunt oplossen "Indicatielampjes" op pagina 170 |
| 2 | ontgrendelingsknop computerkap | Draai deze knop met de klok mee om de kap te verwijderen. |
| 3 | verbindingen op het achterpaneel | De ingangen voor uw computer (zie "Ultra-Small Form Factor-computer — ingangen achterzijde" op pagina 143). |
| 4 | stroomaansluiting | Sluit het stroomsnoer aan. |
| 5 | luchtopeningen | De luchtopeningen helpen om uw computer tegen oververhitting te beschermen. Om een juiste ventilatie te garanderen mag u deze luchtgaten niet blokkeren. |

Ultra-Small Form Factor-computer — ingangen achterzijde




- | | | |
|----|----------------------------------|--|
| 1 | parallele ingang | Sluit parallele apparaten zoals een printer aan op de parallele ingang. Als u over een USB-printer beschikt, moet u deze aansluiten op een USB-ingang. |
| 2 | lampje
verbindingsintegriteit | <ul style="list-style-type: none"> • Groen — Er is een succesvolle verbinding tussen een 10 Mbps-netwerk en de computer. • Oranje — Er is een succesvolle verbinding tussen een 100 Mbps-netwerk en de computer. • Geel — Er is een succesvolle verbinding tussen een 1000 Mbps (1-Gbps)-netwerk en de computer. • Uit — De computer detecteert geen fysieke verbinding met het netwerk of de netwerkcontroller is gedeactiveerd in de Systeem-setup. |
| 3 | netwerkadapter | <p>Om de computer aan te sluiten op een netwerk of breedbandapparaat moet u een uiteinde van de netwerkkabel aansluiten op een netwerkcontact of een netwerk- of breedbandapparaat. Sluit het andere gedeelte van de netwerkkabel aan op de netwerkadapteringang op het achterpaneel van de computer. Een klikgeluid geeft aan dat de netwerkkabel goed vastzit.</p> <p>OPMERKING: Sluit geen telefoonkabel aan op de netwerkingang.</p> <p>Op computers met een netwerkkaart moet u de ingang op de kaart gebruiken. U wordt aangeraden om Category 5-bedrading en -ingangen voor uw netwerk te gebruiken. Als u toch gebruikmaakt van Category 3-bedrading, moet u de netwerksnelheid naar 10 Mbps forceren om een betrouwbare werking te garanderen.</p> |
| 4 | netwerkactiviteitslampje | Het oranje lampje knippert als de computer netwerkgegevens uitzendt of ontvangt. Als gevolg van een hoog netwerkvolume kan het lijken of dit lampje aanhoudend brandt. |
| 5 | lijn uit-ingang | Gebruik de groene line-out-ingang om een speakerset met versterking aan te sluiten. |
| 6 | line-in-/microfooningang | Gebruik de blauwe en roze line-in-/microfooningang om een apparaat voor opname/afspelen aan te sluiten, zoals een cassettespeler, cd-speler of videorecorder, of een PC-microfoon voor spraak- of muziekinvoer naar een geluids- of telefonieprogramma. |
| 7 | USB-ingangen (5) | Gebruik de USB-ingangen aan de achterzijde voor apparaten die normaliter aangesloten blijven, zoals printers en toetsenborden. |
| 8 | seriële ingang | Sluit een serieel apparaat zoals een handheld apparaat aan op de seriële ingang. |
| 9 | video-ingang | <p>Als u over een met DVIcompatibele monitor beschikt, moet u de kabel van de monitor aansluiten op het achterpaneel.</p> <p>Beschikt u over een VGA-monitor, raadpleeg dan "Een VGA-monitor aansluiten" in de <i>handleiding</i> voor uw computer.</p> |
| 10 | stroomaansluiting | De ingang voor de stroomadapter. |
| 11 | diagnostieklampjes | Raadpleeg voor een beschrijving van lichtcodes op basis waarvan u computerproblemen kunt oplossen "Indicatielampjes" op pagina 170. |

De computerkap verwijderen

 **LET OP:** Voordat u met een van de procedures in dit gedeelte begint, moet u de veiligheidsinstructies in de *Productinformatiegids* raadplegen.

 **LET OP:** Bescherm uzelf tegen elektrische schokken door altijd de computer van het stopcontact los te koppelen voordat u de kap opent.

Voordat u begint

 **KENNISGEVING:** Om gegevensverlies te voorkomen, moet u open bestanden opslaan en sluiten en alle geopende programma's sluiten voordat u de computer uitzet.

- 1 Sluit het besturingssysteem af:
 - a Bewaar en sluit alle open bestanden, sluit alle geopende programma's, klik op de **Start**-knop en vervolgens op **Computer uitzetten**.
 - b Klik in het venster **Computer uitzetten** op **Uitzetten**.
De computer wordt uitgezet nadat het besturingssysteem is afgesloten.
- 2 Controleer of de computer en alle daaraan gekoppelde apparaten uit staan. Als de computer en gekoppelde apparaten niet automatisch worden uitgezet als u het besturingssysteem afsluit, moet u deze nu uitzetten.


Voordat u binnen de computer gaat werken

Volg de onderstaande veiligheidsrichtlijnen om uw eigen veiligheid te garanderen en de computer en werkomgeving te beschermen tegen mogelijke schade.

 **LET OP:** Voordat u met een van de procedures in dit gedeelte begint, moet u de veiligheidsinstructies in de *Productinformatiegids* raadplegen.


 **LET OP:** Ga voorzichtig met componenten en kaarten om. Raak de componenten en de contacten op kaarten niet aan. Pak kaarten bij de uiteinden vast of bij de metalen bevestigingsbeugel. Hou onderdelen zoals een processor vast bij de zijkant, en niet bij de pinnetjes

 **KENNISGEVING:** Alleen een bevoegde onderhoudsmonteur mag reparaties aan uw computer uitvoeren. Schade als gevolg van onderhoudswerkzaamheden die niet door Dell zijn goedgekeurd, valt niet onder de garantie.

 **KENNISGEVING:** Maak een kabel los door aan de connector of aan de kabelontlastingslus te trekken en niet aan de kabel zelf. Sommige kabels zijn voorzien van een connector met borglippen. Als u dit type kabel loskoppelt, moet u de borglippen ingedrukt houden voordat u de kabel verwijdert. Als u de connectoren van elkaar los trekt, moet u ze op evenwijdige wijze uit elkaar houden om te voorkomen dat een van de connectorpennen wordt verbogen. Ook moet u voordat u een kabel verbindt controleren of beide connectoren op juiste wijze zijn opgesteld en uitgelijnd.

Om schade aan de computer te voorkomen moet u de volgende instructies opvolgen voordat u binnen de computer gaat werken.

- 1 Zet de computer uit.

 **KENNISGEVING:** Om een netwerkkabel te ontkoppelen moet u de kabel van de computer loskoppelen en deze vervolgens van het netwerkcontact loskoppelen.

- 2 Ontkoppel alle telefoon- of telecommunicatiekabels van de computer.
- 3 Ontkoppel de computer en alle daarop aangesloten apparaten van hun stopcontacten en druk op de aan/uit-knop om het moederbord te aarden.
- 4 Verwijder indien van toepassing de computerstandaard (raadpleeg voor aanwijzingen de documentatie die met de standaard werd meegeleverd).



LET OP: Bescherm uzelf tegen elektrische schokken door altijd de computer van het stopcontact lost te koppelen voordat u de kap opent.

- 5 Verwijder de computerkap:
 - Verwijder de kap van de mini tower-computer (zie "Mini Tower-computer" op pagina 146).
 - Verwijder de computer van de desktopcomputer (zie "Pc" op pagina 147).
 - Verwijder de kap van de small form factor-computer (zie "Small Form Factor-computer" op pagina 148).
 - Verwijder de kap van de ultra-small form factor-computer (zie "Ultra-Small Form Factor-computer" op pagina 150).



KENNISGEVING: Raak een component pas aan nadat u zich hebt geaard door een ongeverfd metalen oppervlak van het chassis aan te raken, zoals het metaal rondom de openingen voor de kaarten aan de achterkant van de computer. Raak terwijl u bezig bent af en toe een ongeverfd metalen oppervlak van het chassis aan om statische elektriciteit af te voeren die interne componenten kan beschadigen.

Mini Tower-computer



LET OP: Voordat u met een van de procedures in dit gedeelte begint, moet u de veiligheidsinstructies in de *Productinformatiegids* raadplegen.

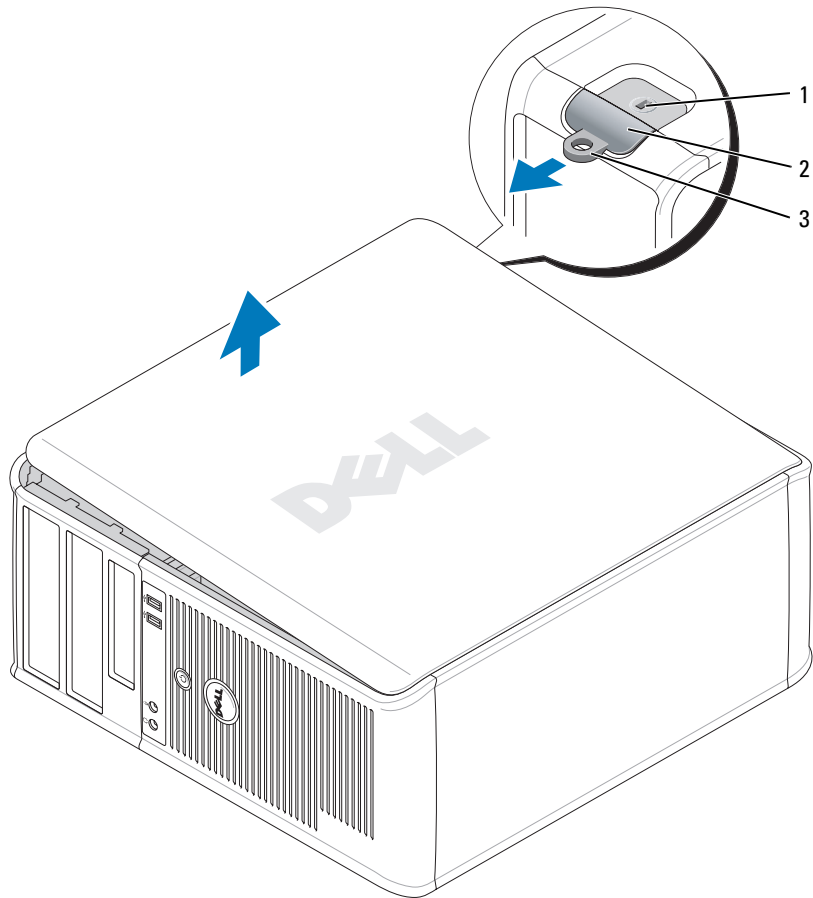


LET OP: Om een elektrische schok te voorkomen, moet alvorens de computerkap te verwijderen altijd de stekker van de computer uit het stopcontact verwijderen.

- 1 Volg de instructies in "Voordat u begint" op pagina 145.
- 2 Zet de computer op zijn kant zoals in de afbeelding weergegeven.
- 3 Zoek naar het ontgrendelingsmechanisme voor de computerkap zoals in de illustratie afgebeeld. Schuif het ontgrendelingsmechanisme vervolgens naar achteren terwijl u de kap omhoog tilt.
- 4 Houd de uiteinden van de computerkap vast en draai de kap naar boven door de onderste scharnieren als steunpunten te gebruiken.
- 5 Verwijder de computerkap van de scharnieren en plaats deze op een zacht, niet-schurend oppervlak.



LET OP: De warmteputjes van de grafische kaart kunnen zeer heet worden tijdens een normale werking van de computer. Zorg ervoor dat de warmteputjes van de grafische kaart voldoende tijd hebben gehad om af te koelen voordat u deze aanraakt.



1 sleuf voor beveiligingskabel 2 kapontgrendelingsmechanisme 3 hangslotbeugel

Pc



LET OP: Voordat u met een van de procedures in dit gedeelte begint, moet u de veiligheidsinstructies in de *Productinformatiegids* raadplegen.

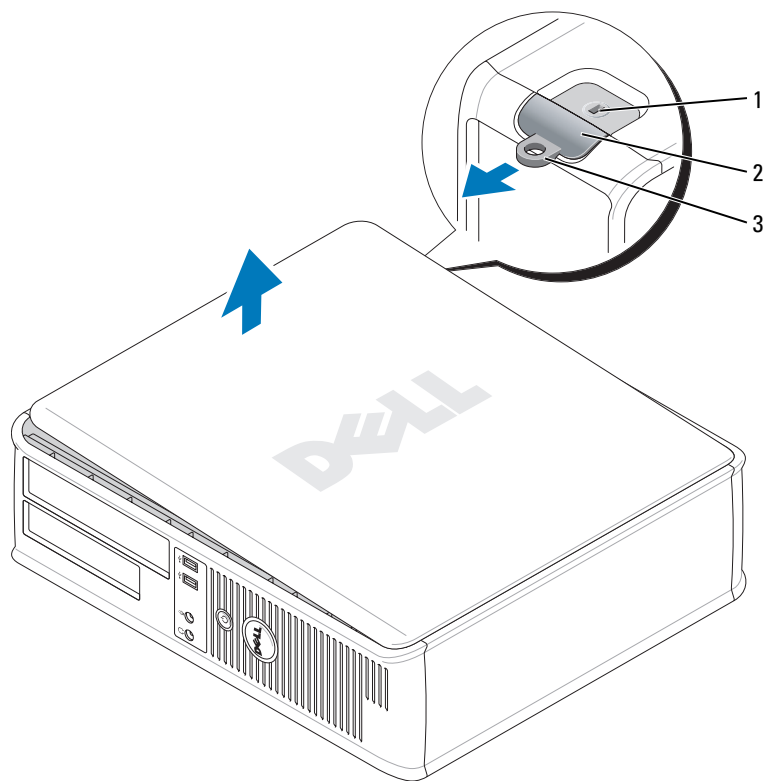


LET OP: Om een elektrische schok te voorkomen, moet u alvorens u de kap van de computer verwijderdt altijd eerst de stekker van de computer uit het stopcontact halen.

- 1 Volg de instructies in "Voordat u begint" op pagina 145.
- 2 Als u een hangslot hebt aangebracht op de hangslotbeugel op het achterpaneel, moet u het hangslot verwijderen.

- 3 Zoek naar het ontgrendelingsmechanisme van de computerkap zoals in de illustratie afgebeeld. Schuif het ontgrendelingsmechanisme vervolgens naar achteren terwijl u de kap optilt.
- 4 Houd de uiteinden van de computerkap vast en draai de kap naar boven door de onderste scharnieren als steunpunten te gebruiken.
- 5 Verwijder de computerkap van de scharnieren en plaats deze op een zacht, niet-schurend oppervlak.

! **LET OP:** De warmteputjes van de grafische kaart kunnen zeer heet worden tijdens een normale werking van de computer. Zorg ervoor dat de warmteputjes van de grafische kaart voldoende tijd hebben gehad om af te koelen voordat u deze aanraakt.



1 sleuf voor beveiligingskabel 2 kapontgrendelingsmechanisme 3 hangslotbeugel

Small Form Factor-computer

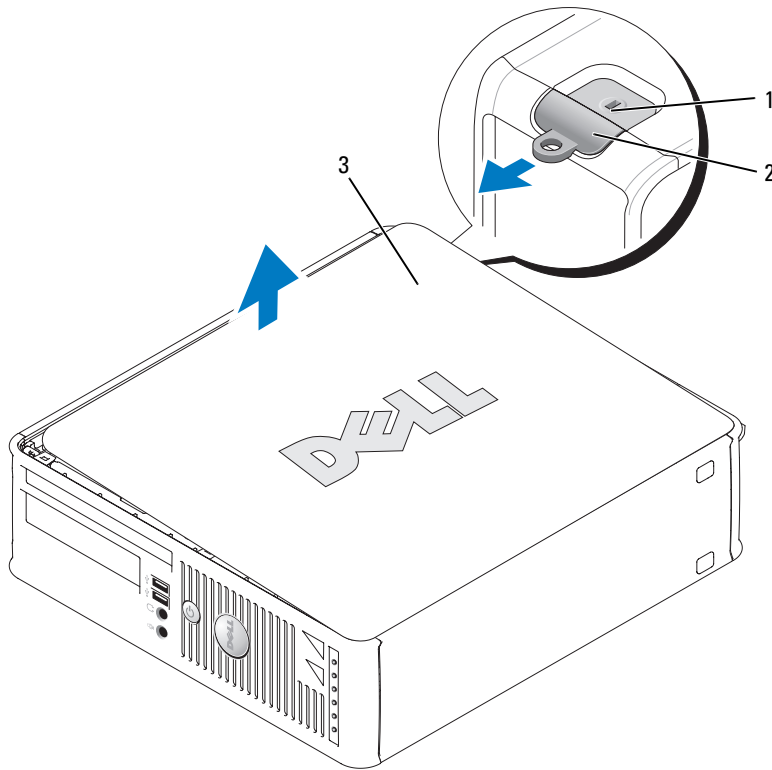
! **LET OP:** Voordat u met een van de procedures in dit gedeelte begint, moet u de veiligheidsinstructies in de *Productinformatiegids* raadplegen.

! **LET OP:** Om een elektrische schok te voorkomen moet u alvorens u de computerkap verwijdert altijd eerst de stekker van de computer uit het stopcontact halen.

- 1 Volg de instructies in "Voordat u begint" op pagina 145.
- 2 Als u een hangslot hebt aangebracht op de hangslotbeugel op het achterpaneel, moet u het hangslot verwijderen.
- 3 Zoek naar het ontgrendelingsmechanisme voor de computerkap, zoals in de afbeelding weergegeven. Schuif vervolgens het ontgrendelingsmechanisme naar achteren terwijl u de computerkap optilt.
- 4 Pak de zijkanten van de computerkap vast en draai de kap omhoog met behulp van de onderste scharnieren als steunpunten.
- 5 Verwijder de computerkap van de scharnieren en plaats deze op een zacht, niet-schurend oppervlak.



LET OP: De warmteputjes van de grafische kaart kunnen zeer heet worden tijdens een normale werking van de computer. Zorg ervoor dat de warmteputjes van de grafische kaart voldoende tijd hebben gehad om af te koelen voordat u deze aanraakt.



1 sleuf voor beveiligingskabel 2 kapontgrendelingsmechanisme 3 computerkap

Ultra-Small Form Factor-computer

! **LET OP:** Voordat u met een van de procedures in dit gedeelte begint, moet u de veiligheidsinstructies in de *Productinformatiegids* raadplegen.

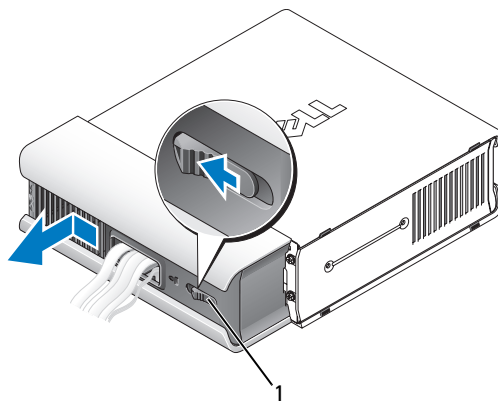
! **LET OP:** Om een elektrische schok te voorkomen moet u voordat u de computerkap verwijdert altijd eerst de stekker van de computer uit het stopcontact halen.

1 Volg de instructies in "Voordat u begint" op pagina 145.

➔ **KENNISGEVING:** Raak een component pas aan nadat u zich hebt gegaard door een ongeverfd metalen oppervlak van het chassis aan te raken. Raak terwijl u bezig bent af en toe een ongeverfd metalen oppervlak van het chassis aan om statische elektriciteit af te voeren die interne componenten kan beschadigen.

2 Verwijder indien van toepassing de kabelbehuizing.

a Als een veiligheidsapparaat op de sleuf van de beveiligingskabel is aangesloten, moet u het apparaat verwijderen.



1 ontgrendelknop

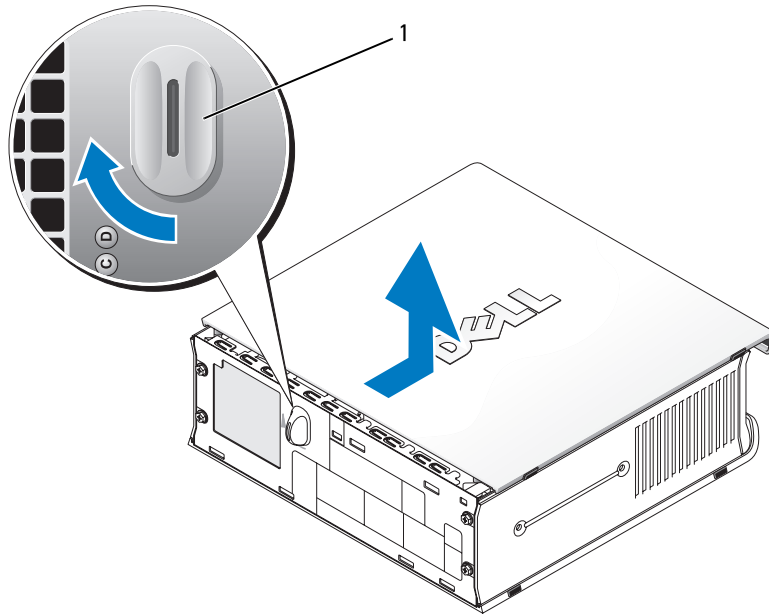
b Druk op de ontgrendelingsknop, pak de kabelbehuizing vast en schuif de kap naar links totdat deze niet verder kan. Til vervolgens de kabelbehuizing op en verwijder deze.

3 Verwijder de computerkap:

a Draai de ontgrendelingsknop van de kap met de klok mee, zoals weergegeven in de afbeelding.

b Schuif de computerkap 1 cm naar voren en til vervolgens de computerkap op.

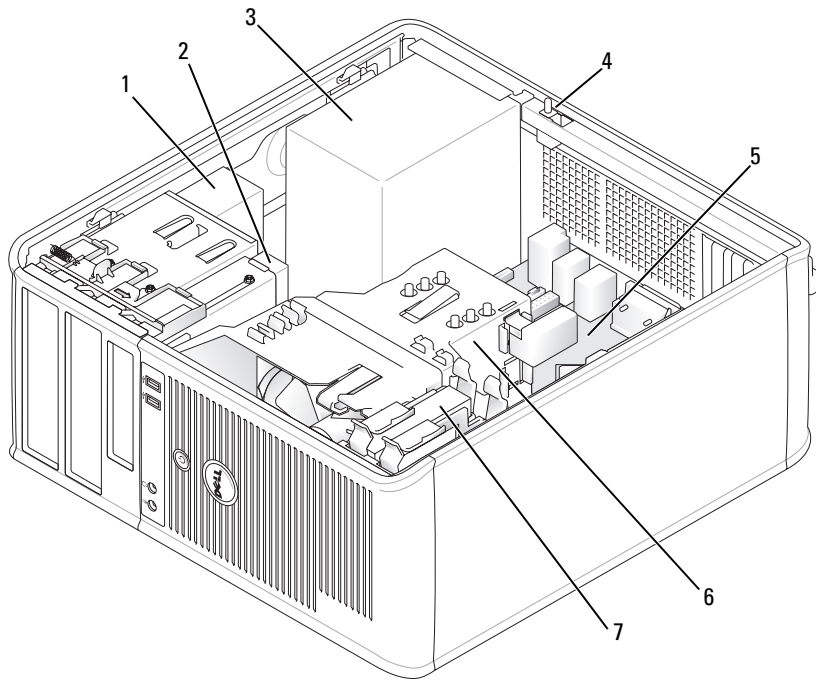
⚠ LET OP: De warmteputjes van de grafische kaart kunnen zeer heet worden tijdens een normale werking van de computer. Zorg ervoor dat de warmteputjes van de computer voldoende tijd hebben gehad om af te koelen voordat u deze aanraakt.



1 ontgrendelingsknop

Binnen uw computer

Mini Tower Computer



1 mediacompartiment

2 disktestation of
mediakaartlezer

3 voeding

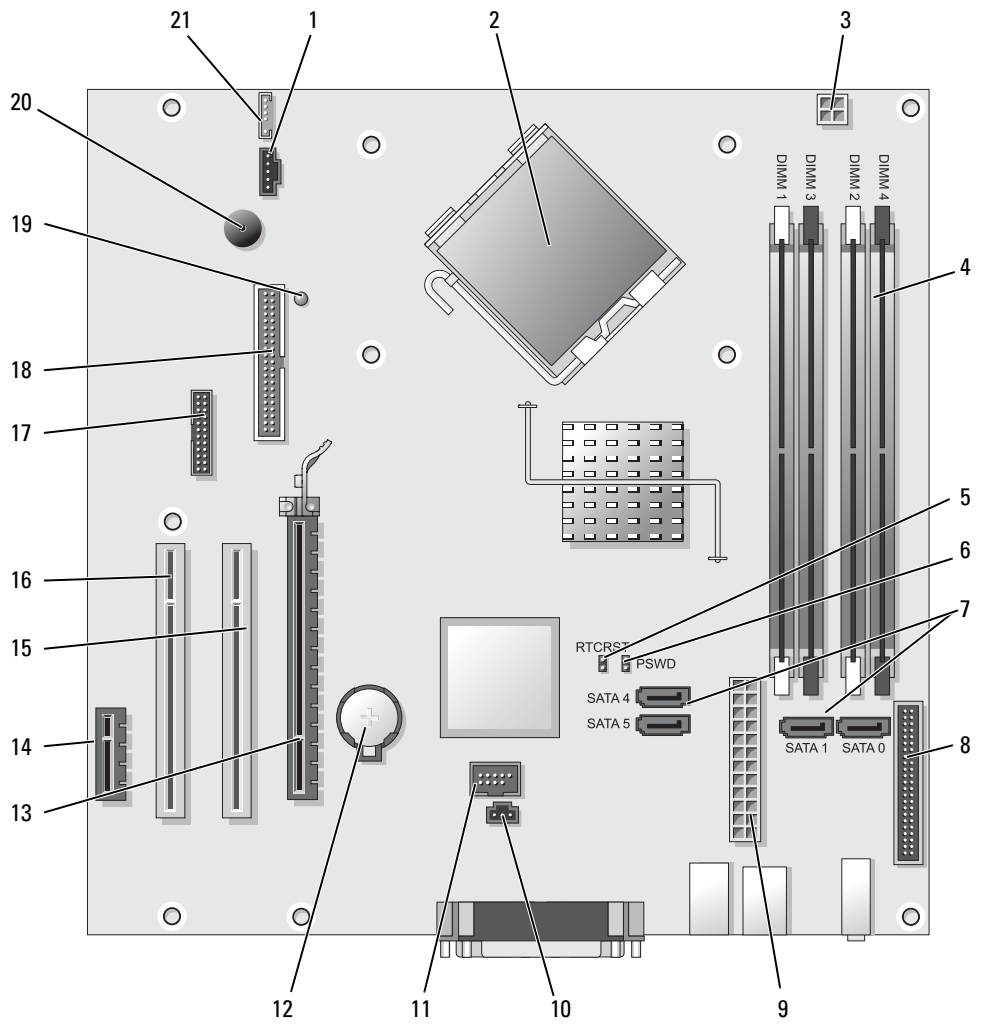
4 optionele
chassisingangsschakelaar

5 moederbord

6 warmteputjes

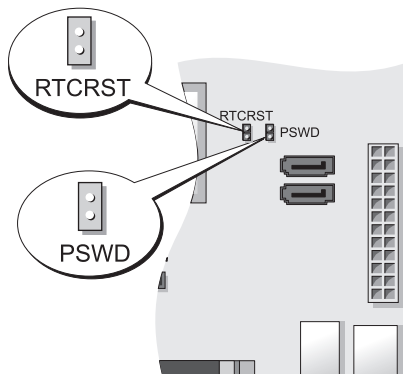
7 vaste schijf





Componenten van het moederbord



- | | | | |
|----|---|----|--------------------------------|
| 1 | ventilatoringang (FAN) | 12 | batterijcompartiment (BATT) |
| 2 | processingang (CPU) | 13 | PCI Express x16-ingang (SLOT1) |
| 3 | processorstroomingang (12VPOWER) | 14 | PCI Express x1-ingang (SLOT4) |
| 4 | geheugenmoduleingangen (DIMM_1, DIMM_2, DIMM_3, DIMM_4) | 15 | PCI-ingang (SLOT2) |
| 5 | RTC reset jumperswitch (RTCRST) | 16 | PCI-ingang (SLOT3) |
| 6 | wachtwoord-jumperswitch (PSWD) | 17 | seriële ingang (SER2) |
| 7 | SATA-stationsingangen (SATA0, SATA1, SATA4, SATA5) | 18 | ingang diskettestation (DSKT) |
| 8 | ingang voorzijde (FNT_PANEL) | 19 | netwerkstroom |
| 9 | stroomingang (POWER) | 20 | speaker moederbord (BEEP) |
| 10 | ingang intrusion-schakelaar (INTRUDER) | 21 | speakingang (INT_SPKR) |
| 11 | interne USB (INTERNAL_USB) | | |

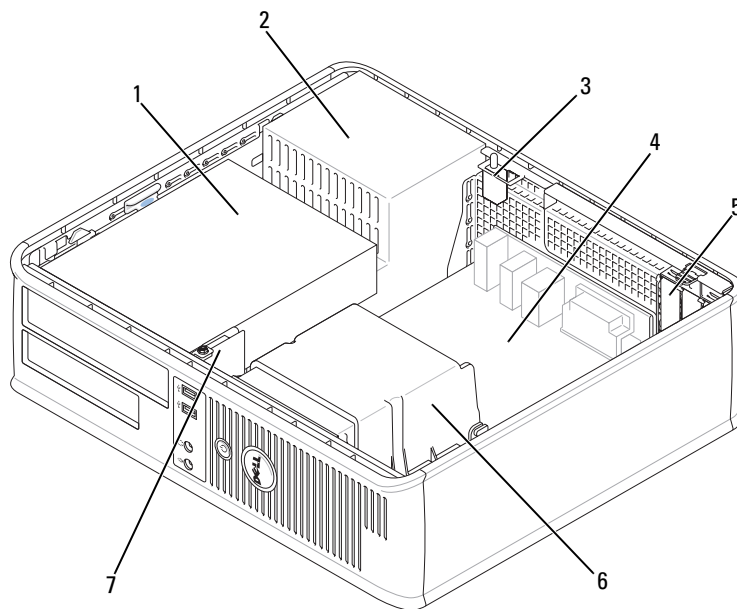
Jumperswitch-instellingen



Jumperswitch	Instelling	Beschrijving
PSWD		Wachtwoordfuncties zijn geactiveerd (standaardinstelling).
		Wachtwoordfuncties zijn gedeactiveerd.
RTC RST		De real-time klok is niet gereset.
		De real-time klok wordt gereset (tijdelijk gejumpered).

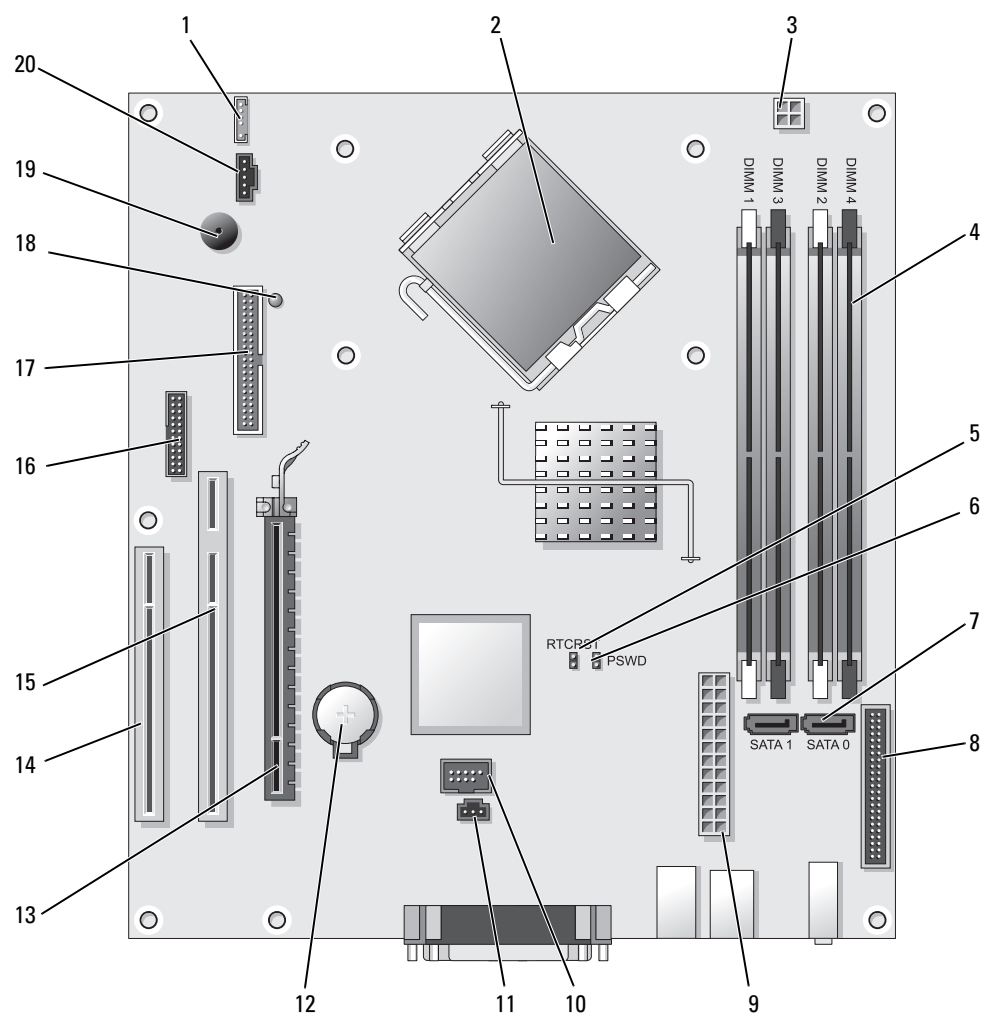
 *gejumpered*  *niet gejumpered*

Pc



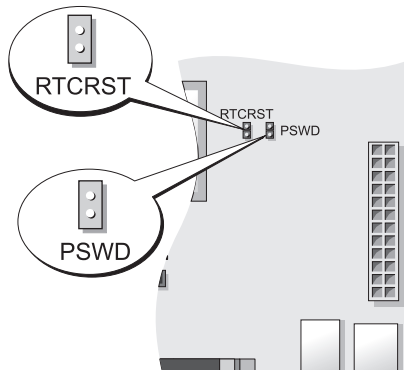
- | | | | | | |
|---|---|---|--------------|---|------------------------------------|
| 1 | basisstations (mediakaartlezer of diskettestation, optisch station en harde schijf) | 2 | voeding | 3 | optioneel chassisingangsschakelaar |
| 4 | moederbord | 5 | kaartsleuven | 6 | warmteafleiding |
| 7 | I/O-voorpaneel | | | | |





Onderdelen moederbord



- | | | | |
|----|---|----|--|
| 1 | interne speaker (INT_SPKR) | 11 | ingang intrusion-schakelaar (INTRUDER) |
| 2 | processingang (CPU) | 12 | batterijcompartiment (BATT) |
| 3 | processorstroomingang (12VPOWER) | 13 | PCI Express x160-ingang (SLOT1) |
| 4 | geheugenmoduleingangen (DIMM_1, DIMM_2, DIMM_3, DIMM_4) | 14 | PCI-ingang (SLOT3) |
| 5 | RTC reset jumperswitch (RTCRST) | 15 | PCI-ingang (SLOT2) |
| 6 | wachtwoordjumperswitch (PSWD) | 16 | seriële ingang (SER2) |
| 7 | SATA-ingangen (SATA0, SATA1) | 17 | diskettestationingang (DSKT) |
| 8 | ingang voorzijde (FNT_PANEL) | 18 | netwerkstroom |
| 9 | stroomsnoer (POWER) | 19 | speaker moederbord (BEEP) |
| 10 | interne USB (INTERNAL_USB) | 20 | ventilatoringang (FAN) |

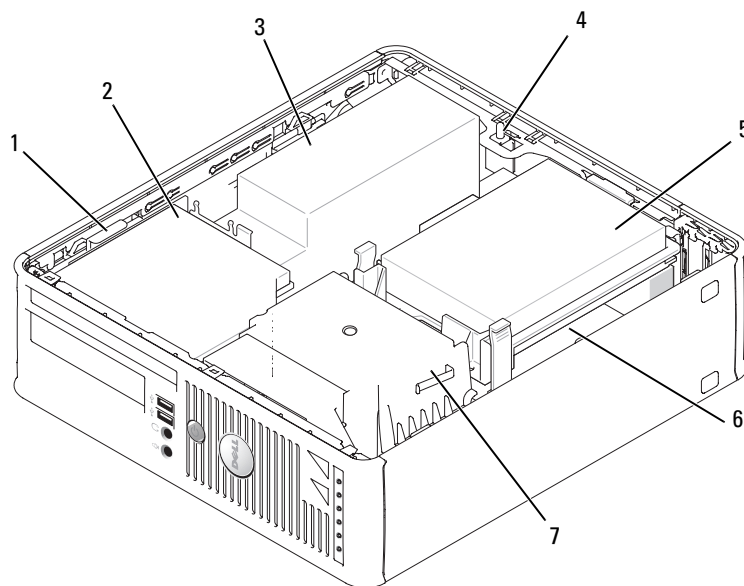
Jumperswitch-instellingen



Jumperswitch	Instelling	Beschrijving
PSWD		Wachtwoordfuncties zijn geactiveerd (standaardinstelling).
		Wachtwoordfuncties zijn gedeactiveerd.
RTCRST		De real-time klok is niet gereset.
		De real-time klok wordt gereset (tijdelijk gejumpered).

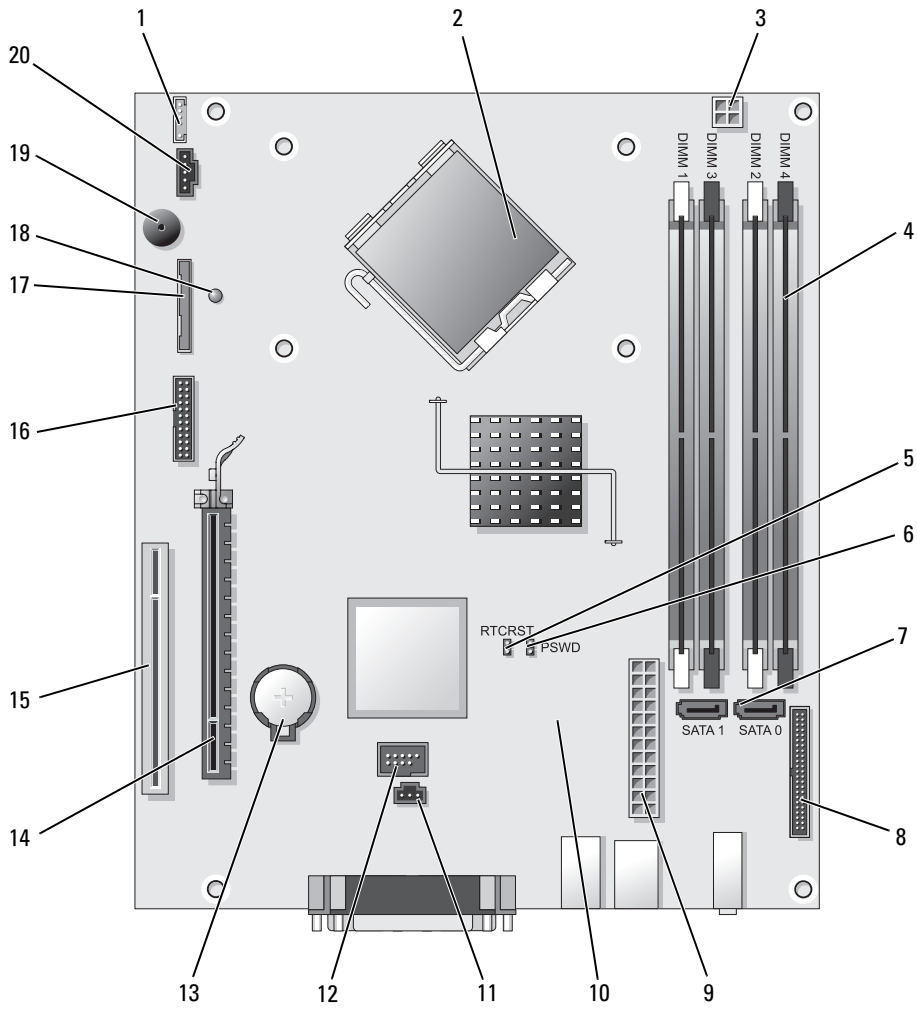
 *gejumpered*  *niet gejumpered*

Small Form Factor-computer



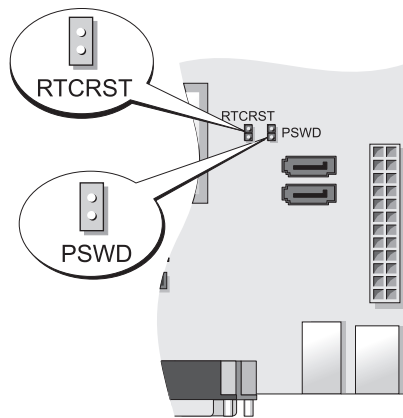
- | | | | | | |
|---|----------------------------------|---|-------------------|---|-----------------------------|
| 1 | stationontgrendelingsmechanisme | 2 | mediacompartiment | 3 | stroomtoevoer en ventilator |
| 4 | optionele chassingangsschakelaar | 5 | vaste schijf | 6 | moederbord |
| 7 | warmteafvoer en ventilator | | | | |





Onderdelen moederbord



- | | | | |
|----|--|----|---|
| 1 | ingang voor interne speaker (INT_SPKR) | 11 | ingang voor intrusion-schakelaar (INTRUDER) |
| 2 | processoringang (CPU) | 12 | interne USB-ingang (USB) |
| 3 | processorstroomingang (12VPOWER) | 13 | batterijcompartiment (BATT) |
| 4 | geheugenmodule-ingangen (DIMM_1, DIMM_2, DIMM_3, DIMM_4) | 14 | PCI Express x16-ingang (SLOT1) |
| 5 | RTC resetjumper switch (RTCRST) | 15 | PCI-ingang (SLOT2) |
| 6 | wachtwoordjumper switch (PSWD) | 16 | seriële ingang (SER2) |
| 7 | SATA-ingangen (SATA0, SATA1) | 17 | diskettestationingang (DSKT) |
| 8 | ingang voorzijde (FNT_PANEL) | 18 | netwerkstroom |
| 9 | stroomingang (POWER) | 19 | speaker moederbord (BEEP) |
| 10 | ventilatoringang (FAN2) | 20 | ventilatoringang (FAN) |

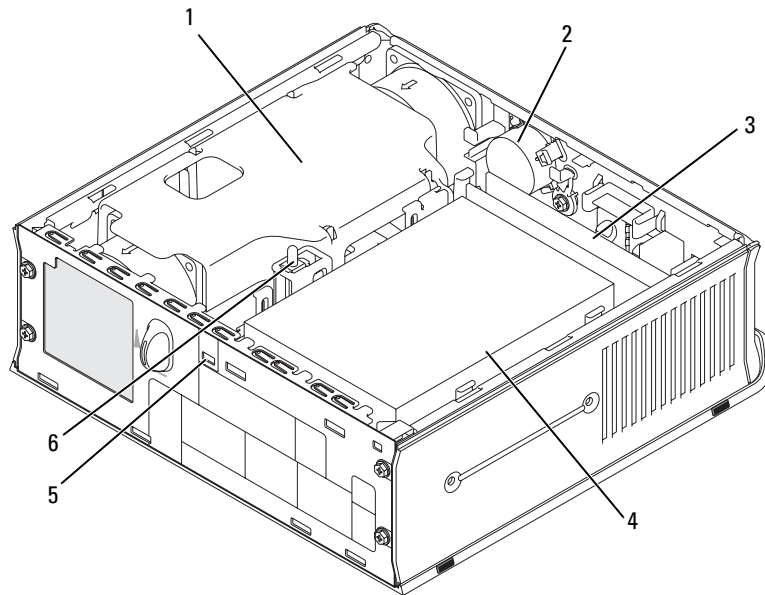
Jumperswitch-instellingen



Jumperswitch	Instelling	Beschrijving
PSWD		Wachtwoordfuncties zijn geactiveerd (standaardinstelling).
		Wachtwoordfuncties zijn gedeactiveerd.
RTCST		De real-time klok is niet gereset.
		De real-time klok wordt gereset (tijdelijk gejumpered).

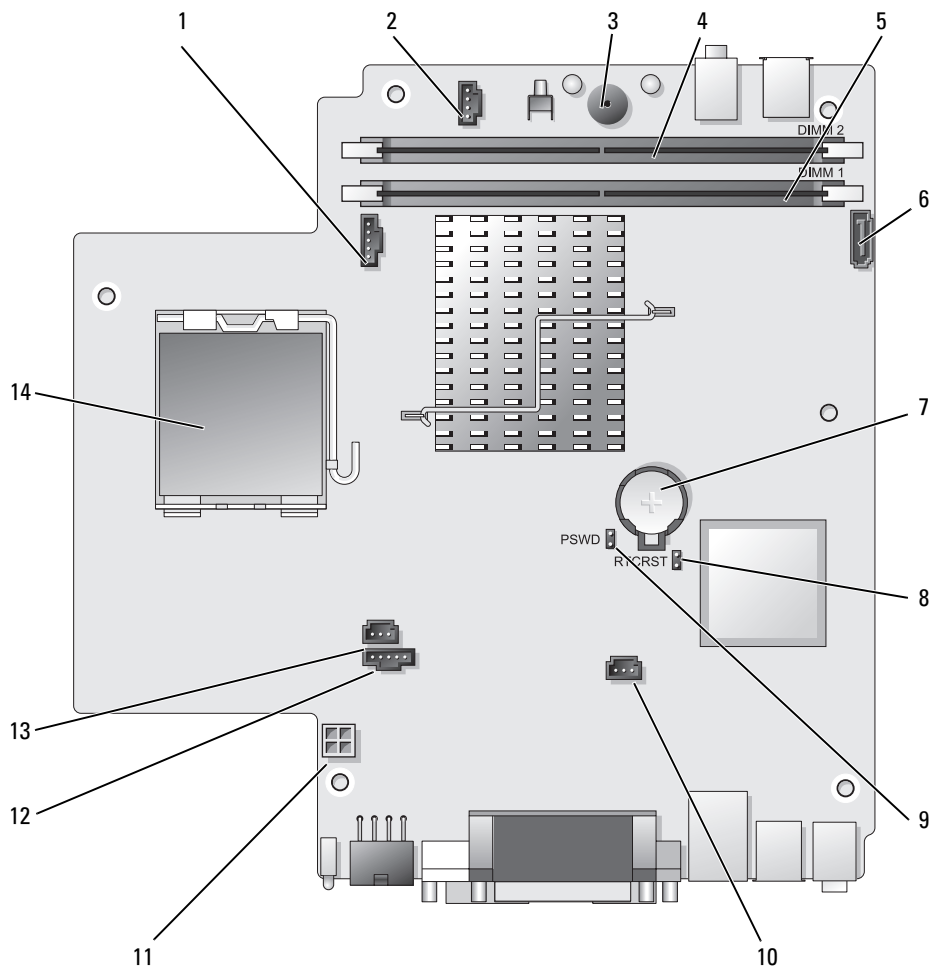
 *gejumpered*  *niet gejumpered*

Ultra-Small Form Factor Computer



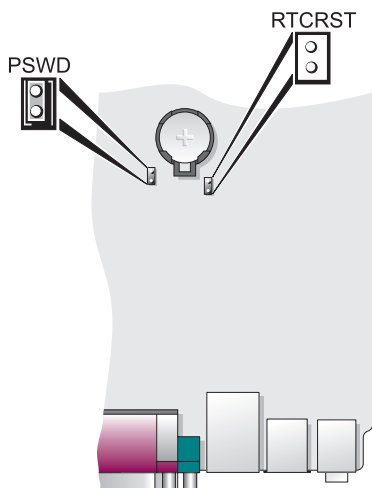
- | | | | | | |
|---|----------------------------|---|------------------------------|---|---------------------------|
| 1 | ventilatorkap/warmteputjes | 2 | speaker (optioneel) | 3 | geheugenmodules (2) |
| 4 | vaste schijf | 5 | sleuf voor beveiligingskabel | 6 | chassisintrusieschakelaar |





Onderdelen moederbord



- | | | | |
|---|-----------------------------------|----|---|
| 1 | ventilatoringang (FAN_FRONT) | 8 | clear CMOS-jumperswitch (RTCST) |
| 2 | interne speakeringang (INT_SPKR) | 9 | wachtwoordjumperswitch (PSWD) |
| 3 | speaker moederbord (BEEP) | 10 | ventilatoringang harde schijf (FAN_HDD) |
| 4 | geheugeningang kanaal B (DIMM_2) | 11 | stroomingang harde schijf (SATA_PWR) |
| 5 | geheugeningang kanaal A (DIMM_1) | 12 | ventilatoringang (FAN_REAR) |
| 6 | ingang SATA-gegevenskabel (SATA0) | 13 | ingang intrusion-schakelaar (INTRUDER) |
| 7 | batterij (BATT) | 14 | processor (CPU) |

Jumperswitch-instellingen



Jumperswitch	Instelling	Beschrijving
PSWD		Wachtwoordfuncties zijn geactiveerd (standaardinstelling).
		Wachtwoordfuncties zijn gedeactiveerd.
RTCRST		De real-time klok is niet gereset.
		De real-time klok wordt gereset (tijdelijk gejumpered).



gejumpered



niet gejumpered

De computer instellen



LET OP: Voordat u met een van de procedures in deze sectie uitvoert, dient u de veiligheidsinstructies in de *Productinformatiegids* te volgen.



KENNISGEVING: Als in uw computer een uitbreidingskaart is geïnstalleerd (bijvoorbeeld een modemkaart), dient u de juiste kabel op de kaart zelf aan te sluiten, *niet* op de ingang op het achterpaneel.




KENNISGEVING: Om de bedrijfstemperatuur van de computer op peil te houden, moet u ervoor zorgen dat u de computer niet te dicht bij een muur of ander opslagcompartiment plaatst die de luchtcirculatie rond het chassis kan hinderen. Raadpleeg voor meer informatie de productinformatiegids.

 **OPMERKING:** Voordat u apparaten of software installeert die niet met uw computer werden meegeleverd, moet u de documentatie raadplegen die met het apparaat of de software werd meegeleverd of contact op te nemen met de leverancier om te controleren of het apparaat of de software compatibel is met uw computer en besturingssysteem.

U dient alle stappen uit te voeren om de computer goed te installeren. Zie de bijbehorende afbeeldingen achter de instructies.

 **KENNISGEVING:** Probeer in geen geval tegelijkertijd een PC/2-muis en een USB-muis te gebruiken.

1 Sluit het toetsenbord en de muis aan.


 **KENNISGEVING:** Sluit geen modemkabel op de verbinding voor de netwerkadapter aan. De stroom van communicatie via de telefoon kan schade aan de netwerkadapter veroorzaken

2 Sluit de modem of de netwerkkabel aan.

Sluit de netwerkkabel, niet de telefoonlijn, aan op de netwerkingang. Als u over een optionele modem beschikt, moet u de telefoonlijn op de modem aansluiten.

3 Sluit de monitor aan.


Lijn de monitorkabel zorgvuldig uit en breng deze voorzichtig aan om te voorkomen dat connectorpinnen gebogen raken. Draai de schroefjes op de kabelconnectoren vast.

 **N.B.** Bij sommige monitoren bevindt de videoingang zich onder aan de achterzijde van het beeldscherm. Zie de documentatie die bij de monitor is meegeleverd voor de locaties van de aansluitpunten.

4 Sluit de speakers aan.

5 Sluit de stroomkabels aan op de computer, monitor en apparaten en sluit de andere einden van de stroomkabels aan op de stopcontacten.

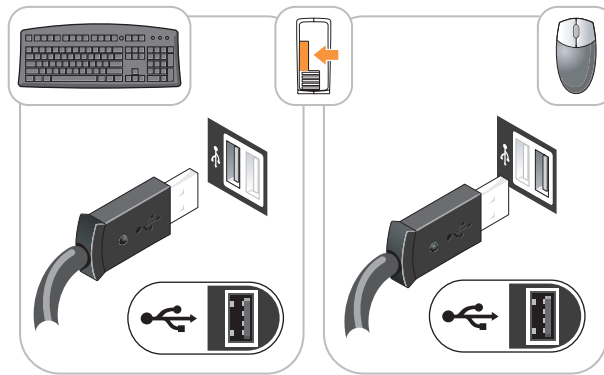
 **KENNISGEVING:** Om schade te voorkomen aan een computer met een handmatige voltageselectieschakelaar moet u de schakelaar instellen op het stroomniveau dat het meest overeenkomt met de netstroom die op uw locatie beschikbaar is.

 **KENNISGEVING:** In Japan moet de voltagekeuzeschakelaar zijn ingesteld op de 115 V-positie, ook al bedraagt de beschikbare wisselstroom in Japan 100 V.

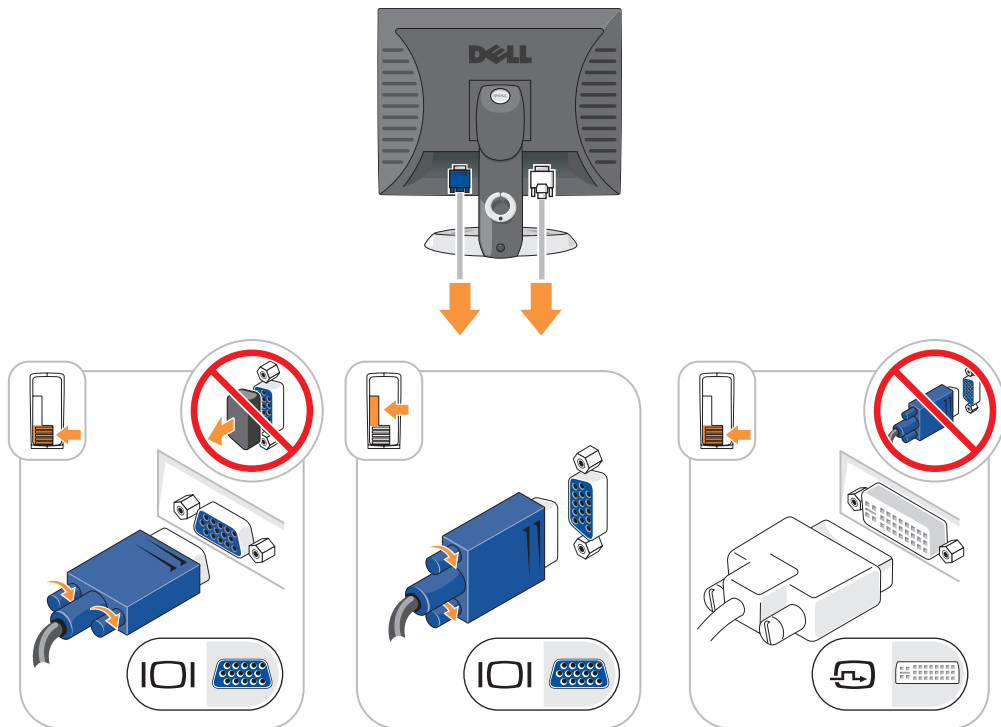
6 Controleer of de voltagekeuzeschakelaar is ingesteld op het juiste voltage voor uw locatie.

Uw computer is voorzien van een handmatige voltageselectieschakelaar. Computers waarbij zich op het achterpaneel een voltagekeuzeschakelaar bevindt, moeten handmatig op het juiste werkingsvoltage worden ingesteld.

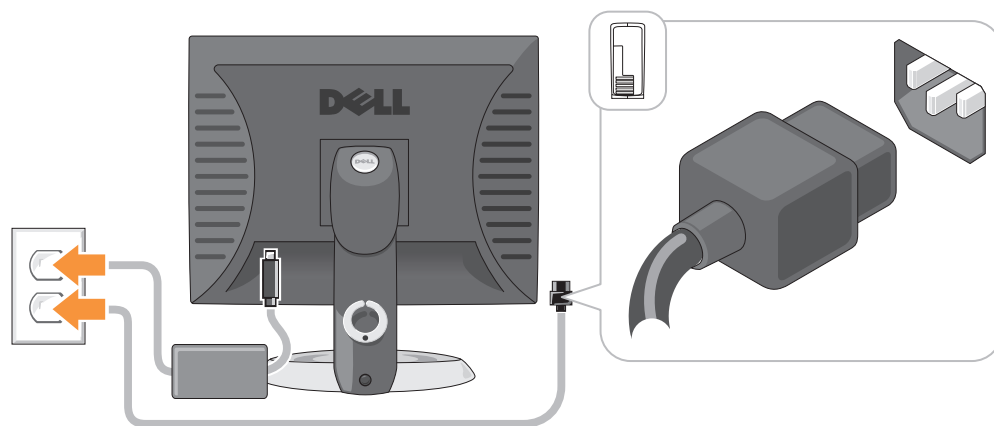
Uw toetsenbord en muis instellen



Installatie van de monitor



Stroomverbindingen



Problemen oplossen

Dell biedt een aantal hulpmiddelen die u kunnen helpen als de computer niet naar verwachting presteert. Voor de laatste probleemoplossingsinformatie die voor uw computer beschikbaar is, kunt u de website van Dell Support raadplegen op support.dell.com.

Als er computerproblemen optreden waarvoor hulp van Dell vereist is, moet u een gedetailleerde beschrijving van de fout, geluidscodes of diagnostische patronen van de lampjes schrijven, de onderstaande servicecode en het nummer van de servicelabel noteren en vervolgens contact opnemen met Dell vanaf de locatie waar uw computer staat opgesteld. Raadpleeg de online gebruikshandleiding voor meer informatie over contact opnemen met Dell.

Raadpleeg voor een voorbeeld van de servicecode en het servicelabel het gedeelte "Informatie zoeken" in de *handleiding* van uw computer.

Code expresse-service: _____


Serviceplaatje: _____

Dell Diagnostics

⚠ LET OP: Voordat u met een van de procedures in dit gedeelte begint, moet u de veiligheidsinstructies in de Productinformatiegids raadplegen.

Wanneer het Dell-diagnoseprogramma te gebruiken

Als u een probleem met de computer ondervindt, moet u de controles uitvoeren die zijn beschreven in het gedeelte "Problemen oplossen" in de online handleiding en Dell Diagnostics uitvoeren voordat u contact opneemt met Dell voor technische ondersteuning. Zie de online Gebruikshandleiding voor meer informatie over contact opnemen met Dell.


 **KENNISGEVING:** Dell Diagnostics (Dell-diagnostiek) werkt alleen op Dell™-computers.

Start de Systeem-setup (raadpleeg "Systeem-setup" in de online *Gebruikershandleiding* voor aanwijzingen), raadpleeg de configuratiegegevens voor de computer en controleer of het apparaat dat u wilt testen in de Systeem-setup wordt weergegeven en actief is.

Start Dell-diagnostiek vanaf de vaste schijf of vanaf de optionele *Drivers and Utilities* CD (Stuur- en hulpprogramma's-cd of *Resource-cd*).

Dell Diagnostics (Dell-diagnostiek) starten vanaf de harde schijf

- 1 Start of herstart de computer.
- 2 Zodra het DELL-logo verschijnt, drukt u meteen op <F12>.

 **N.B.** Als er een melding verschijnt dat er geen partitie met een diagnostische utility is gevonden moet u Dell Diagnostics uitvoeren vanaf de optionele *Drivers and Utilities* (Stuur- en hulpprogramma's)-cd (zie "Dell-diagnoseprogramma starten vanaf de Drivers and Utilities CD (stuur- en hulpprogramma's-cd)" op pagina 167).

Als u te lang wacht en het logo van het besturingssysteem verschijnt, moet u blijven wachten tot u het bureaublad van Microsoft® Windows® ziet. Sluit vervolgens de computer af en probeer het opnieuw.


Als de opstartbronlijst wordt weergegeven, selecteer **Opstarten naar hulpprogramma partitie** en druk op <Enter>.

- 3 Als het **hoofdmenu** van Dell Diagnostics (Dell-diagnose) wordt weergegeven, selecteert u de test die u wilt uitvoeren.

Dell-diagnoseprogramma starten vanaf de Drivers and Utilities CD (stuur- en hulpprogramma's-cd)

- 1 Voer de *Drivers and Utilities* CD (Stuur- en hulpprogramma's-cd) in.
- 2 Zet de computer uit en start deze opnieuw.
Zodra het DELL-logo verschijnt, drukt u meteen op <F12>.

Als u te lang wacht en het logo van het besturingssysteem verschijnt, moet u blijven wachten totdat u het bureaublad van Microsoft Windows ziet. Sluit vervolgens de computer af en probeer het opnieuw.

 **OPMERKING:** Met de volgende stappen wordt de opstartvolgorde slechts één keer gewijzigd. Tijdens een volgende opstartprocedure, zal de computer opstarten volgens de volgorde van apparaten die in de systeeminstellingen is aangegeven.

- 3 Als de lijst met opstartbronnen verschijnt, markeert u het cd/dvd-station en drukt u op <Enter>.
- 4 Selecteer de cd/dvd-schijfoptie in het cd-opstartmenu.
- 5 Selecteer in het menu dat wordt weergegeven de optie om op te starten vanaf de cd/dvd-schijf.
- 6 Type 1 om het menu *Drivers and Utilities* CD te starten.
- 7 Typ 2 om Dell-diagnostiek te starten.
- 8 Selecteer **Run the 32 Bit Dell Diagnostics** (32 bit Dell Diagnose opstarten) uit de genummerde lijst. Als er meerdere versies worden aangegeven, moet u de versie selecteren die voor uw computer van toepassing is.

- Als het **Hoofdmenu** van Dell Diagnostics (Dell-diagnose) wordt weergegeven, selecteert u de test die u wilt uitvoeren.

Hoofdmenu Dell Diagnostics

- Nadat Dell Diagnostics (Dell-diagnose) is geladen en het scherm met het **hoofdmenu** wordt weergegeven, klikt u op de knop voor de gewenste optie.

Optie	Functie
Express Test (snelle test)	Hiermee wordt een snelle test uitgevoerd van apparaten. Deze test neemt normaliter 10 tot 20 minuten in beslag en vereist geen interactie van uw kant. Als u de snelle test eerst uitvoert, vergroot u de kans om het probleem snel op te sporen.
Extended Test (uitgebreide test)	Hiermee wordt een grondige controle van apparaten uitgevoerd. Deze test neemt doorgaans een uur of langer in beslag. U moet af en toe vragen beantwoorden.
Custom Test (aangepaste test)	Hiermee kunt u een bepaald apparaat testen. U kunt de tests die u wilt uitvoeren, zelf aanpassen.
Symptom Tree (symptomenstructuur)	Geeft een overzicht van de problemen die het vaakst optreden en stelt u in staat om een test te selecteren op basis van de symptomen van het probleem dat u ondervindt.

- Als er tijdens een test een probleem wordt opgespoord, wordt er een bericht weergegeven met de foutcode en een beschrijving van het probleem. Noteer de foutcode en de beschrijving van het probleem en volg de instructies op het scherm.

Neem contact op met Dell, als u de fout niet kunt oplossen. Zie de on line *Gebruikshandleiding* voor meer informatie over contact opnemen met Dell.



N.B. Het servicelabel voor de computer bevindt zich bovenaan elk testvenster. Als u contact opneemt met Dell, zullen de medewerkers van de technische ondersteuning naar het servicelabel vragen.

- Wanneer u een test uitvoert via de optie **Custom Test** (Aangepaste test) of **Symptom Tree** (Symptomenstructuur), kunt u voor meer informatie over de test op een van de tabbladen klikken die in de volgende tabel worden beschreven.

Tabblad	Functie
Results (Resultaten)	Hier worden de resultaten van de test weergegeven, samen met eventuele omstandigheden waarin de fout zich heeft voorgedaan.
Errors (Fouten)	Geeft de aangetroffen foutcondities en de foutcodes weer, en een beschrijving van het probleem.
Help	Hier wordt de test beschreven en worden eventuele vereisten voor het uitvoeren van de test vermeld.

Tabblad	Functie (continued)
Configuration (Configuratie)	Hier wordt de hardwareconfiguratie beschreven voor het geselecteerde apparaat. Het Dell-diagnoseprogramma haalt configuratiegegevens op voor alle apparaten uit de systeeminstellingen, het geheugen, verschillende interne tests en geeft de informatie weer in de lijst met apparaten in het linkervenster van het scherm. Mogelijk worden in het apparaatoverzicht niet de namen van alle onderdelen weergegeven die zijn geïnstalleerd in of aangesloten op de computer.
Parameters	U kunt de test aanpassen door de testinstellingen te wijzigen.

- 4** Wanneer de tests zijn voltooid, als u Dell Diagnostics (Dell-diagnostiek) uitvoert vanaf de cd Drivers and Utilities (Stuur- en hulpprogramma's (optioneel), verwijder de cd.
- 5** Sluit het testvenster om terug te keren naar het **Hoofdvenster**. Om het Dell-diagnoseprogramma te verlaten en de computer opnieuw te starten, sluit u het venster **Hoofdmenu**.

Systemlampjes

Uw stroomlampje kan aangeven dat er sprake is van een computerprobleem.

Stroomlampje	Probleembeschrijving	Gesuggereerde oplossing
Stabiel groen	Stroom is aan en de computer werkt normaal.	Er hoeft niets te worden gecorrigeerd.
Knipperend groen	De computer bevindt zich in een energiebesparende modus.	Druk op de aan/uit-knop, beweeg de muis of druk op een toets van het toetsenbord om de computer 'wakker' te maken.
Knippert een paar keer groen en wordt dan uitgeschakeld	Er is een configuratiefout.	Controleer de diagnostische lampjes om te zien of het probleem in kwestie is geïdentificeerd (zie "Indicatielampjes" op pagina 170).
Stabiel geel	Een apparaat op het moederbord vertoont mogelijk een storing of is op onjuiste wijze geïnstalleerd. Daarnaast is het mogelijk dat de voltagekeuzeschakelaar op de stroomtoevoer op onjuiste wijze is ingesteld.	Controleer de diagnostische lampjes om de zien of het probleem in kwestie is geïdentificeerd (zie "Indicatielampjes" op pagina 170). Zie "Power Problems" (problemen met de stroomvoorziening) in de online handleiding. Als de computer niet kan worden opgestart, dient u Dell te bellen voor technische ondersteuning. Meer informatie over contact opnemen met Dell is te vinden in de online handleiding.

Stroomlampje	Probleembeschrijving	Gesuggereerde oplossing
Knipperend geel	Er heeft zich een storing voorgedaan in de stroomvoorziening of het moederbord.	Controleer Diagnostische Lampjes om te zien of het probleem in kwestie is geïdentificeerd (zie "Indicatielampjes" op pagina 170). Zie "Power Problems" (problemen met de stroomvoorziening) in de online handleiding. Als de computer niet kan worden opgestart, dient u Dell te bellen voor technische ondersteuning. Meer informatie over contact opnemen met Dell is te vinden in de online Gebruikshandleiding.
Stabiel groen en een piepcode tijdens POST	Er is een probleem aangetroffen tijdens het uitvoeren van de BIOS.	Raadpleeg voor aanwijzingen met betrekking tot geluidscodes "PieptonCodes" op pagina 173. Raadpleeg Diagnostische lampjes om te zien of het probleem in kwestie is geïdentificeerd.
Stabiel groen stroomlampje, geen piepcode en geen video tijdens POST	De monitor of de grafische kaart is mogelijk kapot of onjuist geïnstalleerd.	Controleer Diagnostische lampjes om te zien of het probleem in kwestie is geïdentificeerd.
Stabiel groen stroomlichtje en geen piepcode, maar de computer loopt vast tijdens POST	Het is mogelijk dat een ingebouwd moederbordapparaat defect is.	Controleer Diagnostische lampjes om te zien of het probleem in kwestie is geïdentificeerd. Als het probleem niet kan worden geïdentificeerd, dient u Dell te bellen voor technische ondersteuning. Meer informatie over contact opnemen met Dell is te vinden in de online handleiding.

Indicatielampjes



LET OP: Voordat u met een van de procedures in dit gedeelte begint, moet u de veiligheidsinstructies in de *Productinformatiegids* raadplegen.

Ter ondersteuning bij het oplossen van problemen is het voor- of achterpaneel van de computer uitgerust met vier lampjes genaamd "1," "2," "3," en "4". De lampjes kunnen uitstaan of groen zijn opgelicht. Wanneer de computer normaal opstart, veranderen de patronen of codes van de lampjes al naar gelang het verloop van het opstartproces. Als het POST-gedeelte van een systeemstart met succes is voltooid, zullen alle vier lampjes eventjes kort groen oplichten en weer uitgaan.



Als de computer tijdens het POST-proces een storing ondervindt, kan het patroon dat op de LED's wordt weergegeven helpen identificeren waar in het proces de computer is vastgelopen. Als de computer storingen vertoont na een succesvol POST-proces, zullen de diagnostische lampjes de oorzaak van het probleem niet aangeven.



OPMERKING: De plaatsing van de diagnostieklampjes kan variëren, afhankelijk van het type systeem. Die diagnostische lampjes kunnen verticaal of horizontaal staan opgesteld.

Lichtpatroon	Probleembeschrijving	Gesuggereerde oplossing
① ② ③ ④	De computer bevindt zich in een normale "uit"-toestand, of er is een mogelijke pre-BIOS-fout opgetreden. De diagnostische lichtjes branden niet nadat de computer met succes tot aan het besturingssysteem opstart.	Sluit de computer aan op een werkend stopcontact en druk op de aan/uit-knop.
① ② ③ ④	Er is mogelijk een BIOS-storing opgetreden. De computer bevindt zich in herstelmodus.	Voer het hulpprogramma BIOS Recovery (BIOS-herstel) uit, wacht tot het herstel voltooid is, en start de computer dan opnieuw op.
① ② ③ ④	Er heeft zich mogelijk een fout in de processor voorgedaan.	Installeer de processor opnieuw en start de computer opnieuw op. Zie de online handleiding voor informatie over het opnieuw installeren van de processor.
① ② ③ ④	Er zijn geheugenmodules gedetecteerd, maar er heeft zich een geheugenfout voorgedaan.	<ul style="list-style-type: none"> • Als u één geheugenmodule hebt geïnstalleerd, dient u deze opnieuw te installeren en de computer opnieuw te starten. Voor informatie over het opnieuw installeren van geheugenmodules, kunt u de online handleiding raadplegen. • Als u twee of meer geheugenmodules geïnstalleerd hebt, dient u de modules te verwijderen. Installeer één module opnieuw en start de computer opnieuw op. Als de computer normaal start, dient u een volgende module opnieuw te installeren. Ga door tot u een defecte module hebt geïdentificeerd of tot u alle modules foutvrij opnieuw hebt geïnstalleerd. • Installeer indien beschikbaar een goed werkend geheugen van hetzelfde type in de computer. • Als het probleem zich blijft voordoen, dient u contact met Dell op te nemen. Zie de online handleiding voor meer informatie over contact opnemen met Dell.

Lichtpatroon	Probleembeschrijving	Gesuggereerde oplossing
① ② ③ ④	Er heeft zich mogelijk een fout voorgedaan in de videokaart.	<ul style="list-style-type: none"> • Als de computer een videokaart bevat, dient u deze te verwijderen en opnieuw te installeren. Start de computer vervolgens opnieuw. • Als het probleem zich nog steeds voordoet, dient u een videokaart te installeren waarvan u weet dat deze werkt en dient u de computer opnieuw te starten. • Als het probleem zich blijft voordoen, of als de computer een geïntegreerde videokaart heeft, dient u contact met Dell op te nemen. Zie de online handleiding voor meer informatie over contact opnemen met Dell.
① ② ③ ④	Er heeft zich mogelijk een fout voorgedaan in een diskteststation of een vaste schijfstation.	Plaats alle stroom- en gegevenskabels opnieuw en start de computer opnieuw op.
① ② ③ ④	Er heeft zich mogelijk een USB-fout voorgedaan.	Installeer alle USB-apparaten opnieuw, controleer de kabelverbindingen en start de computer dan opnieuw op.
① ② ③ ④	Er zijn geen geheugenmodules aangetroffen.	<ul style="list-style-type: none"> • Als u één geheugenmodule hebt geïnstalleerd, dient u deze opnieuw te installeren en de computer opnieuw te starten. Voor informatie over het opnieuw installeren van geheugenmodules, kunt u de online handleiding raadplegen. • Als u twee of meer geheugenmodules geïnstalleerd hebt, dient u de modules te verwijderen. Installeer één module opnieuw en start de computer opnieuw op. Als de computer normaal start, dient u een volgende module opnieuw te installeren. Ga door tot u een defecte module hebt geïdentificeerd of tot u alle modules foutvrij opnieuw hebt geïnstalleerd. • Installeer indien beschikbaar een goed werkend geheugen van hetzelfde type in de computer. • Als het probleem zich blijft voordoen, dient u contact met Dell op te nemen. Zie de online handleiding voor meer informatie over contact opnemen met Dell.

Lichtpatroon	Probleembeschrijving	Gesuggereerde oplossing
	Er zijn geheugenmodules aangetroffen, maar er is een fout in de geheugenconfiguratie of de geheugencompatibiliteit.	<ul style="list-style-type: none"> • Zorg ervoor dat er geen speciale geheugenmodule-/geheugenconnectorvereisten van kracht zijn. • Ga na of de geheugenmodules die u aan het installeren bent compatibel zijn met de computer. • Als het probleem zich blijft voordoen, dient u contact met Dell op te nemen. Zie de online handleiding voor meer informatie over contact opnemen met Dell.
	Er is een fout opgetreden. Dit patroon vertoont zich ook als Systeem-setup start en duidt niet noodzakelijkerwijze op een fout.	<ul style="list-style-type: none"> • Zorg ervoor dat alle kabels goed op het moederbord zijn aangesloten vanaf de vaste schijf, het cd-station en het dvd-station. • Controleer het computerbericht dat op het scherm van uw monitor wordt weergegeven. • Als het probleem zich blijft voordoen, dient u contact met Dell op te nemen. Zie de online handleiding voor meer informatie over contact opnemen met Dell.

PieptonCodes

Het is mogelijk dat tijdens het opstarten van de computer een aantal piepcodes te horen zijn als de monitor niet in staat is om fouten of problemen weer te geven. Deze reeks piepjes, ook wel een piepcode genaamd, identificeert een probleem. Een mogelijke piepcode (code 1 3-1) bestaat uit een piepje, een snelle opeenvolging van drie piepjes en vervolgens een piepje. Deze piepcode vertelt u dat de computer tegen een geheugenprobleem is aangelopen.

Als uw computer piept tijdens het opstarten dient u het volgende te doen:

- 1 Schrijf de piepcode op.
- 2 Om ernstigere problemen en hun oorzaken te identificeren, zie "Dell Diagnostics" op pagina 166.
- 3 Neem contact op met Dell voor technische ondersteuning. Zie de online *handleiding* voor meer informatie over contact opnemen met Dell.

Code	Oorzaak	Code	Oorzaak
1-1-2	Fout in het register van de microprocessor	3-1-4	Registerfout masker slave-interrupt
1-1-3	Fout met lezen/schrijven NVRAM	3-2-2	Laadfout interruptvector
1-1-4	Checksumfout ROM-BIOS	3-2-4	Fout bij testen keyboardcontroller
1-2-1	Fout in de programmeerbare intervaltimer	3-3-1	Stroomverlies NVRAM
1-2-2	Fout bij DMA-initialisering	3-3-2	Ongeldige NVRAM-configuratie
1-2-3	Fout bij lezen/schrijven DMA-pagina register	3-3-4	Fout bij testen videogeheugen

Code	Oorzaak	Code	Oorzaak
1-3	Fout bij testen videogeheugen	3-4-1	Fout bij scherminitialisering
1-3-1 tot en met 2	Geheugen niet juist geïdentificeerd of gebruikt	3-4-2	Fout bij opnieuw traceren scherm
3-1-1	Registerfout bij slave-DMA	3-4-3	Fout bij zoeken naar video-ROM
3-1-2	Registerfout bij master-DMA	4-2-1	Timer tikt niet
3-1-3	Registerfout masker master-interrupt	4-2-2	Fout bij afsluiten
4-2-3	Fout bij poort A20	4-4-1	Fout bij testen seriële of parallele poort
4-2-4	Onverwachte interrupt in beveiligde modus	4-4-2	Fout bij het decomprimeren van code naar schaduwgeheugen
4-3-1	Geheugenfout boven adres 0FFFFh	4-4-3	Fout bij testen mathematische co-processor
4-3-3	Fout bij teller 2 timerchip	4-4-4	Fout bij cachetest
4-3-4	Tijd-van-de-dag-klok is stilgevallen		

Software en hardware conflicten oplossen

Als een apparaat niet wordt gedetecteerd tijdens het instellen van het besturingssysteem of als het wel wordt gedetecteerd maar niet juist wordt geconfigureerd, kunt u de Hardware Troubleshooter (Probleemoplosser voor hardware) gebruiken om de incompatibiliteit op te lossen.

- 1 Klik op de knop **Start** en klik vervolgens op **Help and Support** (Help en ondersteuning).
- 2 Type afhankelijk van de taalversie **hardware troubleshooter** (hardware troubleshooter of probleemoplosser voor hardware) in het vak **Zoeken** en klik op de pijl om de zoekactie te starten.
- 3 Klik op **Hardware Troubleshooter** (Probleemoplosser voor hardware) in de lijst **Search Results** (Zoekresultaten).
- 4 Klik in de lijst **Hardware Troubleshooter** (Probleemoplosser voor hardware) op **I need to resolve a hardware conflict on my computer** (Er is een hardwareconflict op de computer) en klik op **Next** (Volgende).

Microsoft Windows XP System Restore gebruiken

Het besturingssysteem Microsoft Windows XP biedt System Restore om u in staat te stellen om de computer terug te brengen naar een vroegere bedrijfstoestand (zonder invloed op de gegevensbestand) als wijzigingen aan de hardware-, software of andere systeeminstellingen de computer in een ongewenste bedrijfstoestand hebben achtergelaten. Zie Windows Help and Support Center (Help en ondersteuning) voor informatie over het gebruik van System Restore (Systeemherstel). Voor toegang tot het Windows Help and Support Center (Help en ondersteuning, zie. "Windows Help en Support Center" op pagina 126



KENNISGEVING: Maak regelmatig reservekopieën van uw gegevensbestanden. System Restore (Systeemherstel) doet niets aan het bewaken of herstellen van uw gegevensbestanden.

Een herstelpunt maken

- 1 Klik op de knop **Start** en klik vervolgens op **Help and Support** (Help en ondersteuning).
- 2 Klik op **System Restore** (Systeemherstel).
- 3 Volg de instructies op het scherm.

De computer terugbrengen naar een eerdere werkingstoestand

➡ **KENNISGEVING:** Voordat u de computer naar een eerdere werkingstoestand terugbrengt, dient u alle geopende bestanden op te slaan en te sluiten en dient u alle geopende programma's af te sluiten. Zorg ervoor dat u geen bestanden of programma's wijzigt, opent of verwijdert tot het systeemherstel is voltooid.

- 1 Klik op **Start** wijs **All Programs** (Programma's) aan, gevolgd door **Bureaus-accessoires** en **System Tools** (Systeemwerkset). Klik vervolgens op **System Restore** (Systeemherstel).
- 2 Zorg ervoor dat **Restore my computer to an earlier time** (Een eerdere status van deze computer herstellen) is geselecteerd en klik op **Next** (Volgende).
- 3 Klik op een datum die u wil gebruiken om de computer te herstellen.
Het venster **Select a Restore Point** (Een herstelpunt maken) biedt een kalender die het u toestaat herstelpunten te zien en te selecteren. Alle data waarvoor herstelpunten beschikbaar zijn worden in vette letters weergegeven.
- 4 Selecteer een herstelpunt en klik op **Next** (Volgende).
Als er maar één herstelpunt is voor een gegeven datum, dan wordt dat herstelpunt automatisch geselecteerd. Als er twee of meer herstelpunten beschikbaar zijn, klikt u op het herstelpunt waar u de voorkeur aan geeft.
- 5 Klik op **Next** (Volgende).
Nadat Systeemherstel de gegevens heeft verzameld wordt het venster **Restoration Complete** (Herstellen voltooid) weergegeven, waarna de computer opnieuw wordt gestart.
- 6 Klik op **OK** zodra de computer opnieuw is gestart.

U kunt het herstelpunt wijzigen door deze stappen te herhalen voor een ander herstelpunt, maar u kunt het herstel ook ongedaan maken.

Het laatste systeemherstel ongedaan maken

➡ **KENNISGEVING:** Voordat u het laatste systeemherstel ongedaan maakt, dient u alle geopende bestanden te sluiten en dient u alle geopende programma's af te sluiten. Zorg ervoor dat u geen bestanden of programma's wijzigt, opent of verwijdert tot het systeemherstel is voltooid.

- 1 Klik op **Start** wijs **All Programs** (Programma's), **Accessories** (Bureau-accessoires) en **System Tools** (Systeemwerkset) aan en klik vervolgens op **Systeemherstel**.
- 2 Klik op **Undo my last restoration** (De laatste herstelbewerking ongedaan maken) en klik dan op **Next** (Volgende).
- 3 Klik op **Next** (Volgende).
Het venster **System Restore** (Systeemherstel) wordt weergegeven en de computer wordt opnieuw opgestart.
- 4 Klik op **OK** zodra de computer opnieuw is gestart.

Systeemherstel inschakelen

Als u Windows XP opnieuw installeert terwijl er minder dan 200 MB vaste-schijfruimte vrij is, wordt Systeemherstel automatisch uitgeschakeld. U kunt als volgt zien of systeemherstel is ingeschakeld:

- 1 Klik op **Start** en op **Control Panel** (Configuratiepaneel).
- 2 Klik op **Performance and Maintenance** (Prestaties en onderhoud).
- 3 Klik op **System** (Systeem).
- 4 Klik op het tabblad **System Restore** (Systeemherstel).
- 5 Zorg ervoor dat het selectievakje **Turn off System Restore** (Systeemherstel op alle stations uitschakelen) niet is ingeschakeld.

Microsoft Windows XP opnieuw installeren

Aan de slag



OPMERKING: De procedures in dit document zijn geschreven voor het standaardaanzicht van Windows XP Home Edition. Om deze redenen kunnen de stappen verschillen als u uw Dell-computer hebt ingesteld op het Windows Classic-aanzicht of als u Windows XP Professional gebruikt.

Als u er aan zit te denken Windows XP opnieuw te installeren om een probleem met een zojuist geïnstalleerd stuurprogramma te corrigeren, kunt u het best eerst de functie Vorig stuurprogramma van Windows XP proberen.

- 1 Klik op de knop **Start** en daarna op **Control Panel** (Configuratiescherm).
- 2 Onder **Pick a category** (Selecteer een categorie), klikt u op **Performance and Maintenance** (Prestatie en onderhoud).
- 3 Klik op **System** (Systeem).
- 4 In het venster **System Properties** (Configuratiescherm), klikt u op **Hardware**.
- 5 Klik op **Device Manager** (Apparaatbeheer).
- 6 Klik met de rechtermuisknop op het apparaat waarvoor een nieuw stuurprogramma werd geïnstalleerd en klik op **Properties** (Eigenschappen).
- 7 Klik op het tabblad **Stuurprogramma's**.
- 8 Klik op **Roll Back Driver** (Stuurprogramma terugzetten).

Als Device Driver Rollback het probleem niet kan herstellen, moet u System Restore gebruiken om het besturingssysteem te herstellen naar de werkende stand waarin het verkeerde toen u het nieuwe stuurprogramma voor het apparaat installeerde (zie "Microsoft Windows XP System Restore gebruiken" op pagina 174).



OPMERKING: De *Drivers and Utilities* CD (Stuur- en hulpprogramma's-cd) in bevat stuurprogramma's die tijdens het samenstellen van de computer zijn geïnstalleerd. Gebruik de *Drivers and Utilities* CD (Stuur- en hulpprogramma's-cd) in om eventuele vereiste stuurprogramma's te laden, inclusief de stuurprogramma's die vereist zijn als uw computer een RAID-controller heeft.

Windows XP opnieuw installeren



KENNISGEVING: U moet Windows XP Service Pack 1 of later gebruiken wanneer u Windows XP opnieuw installeert.

- ➔ **KENNISGEVING:** Voordat u de installatie uitvoert, dient u een reservekopie te maken van alle gegevensbestanden op uw primaire vaste schijf. Bij conventionele vaste schijf-configuraties is de primaire vaste schijf het eerste station dat door de computer wordt gedetecteerd.

Als u Windows XP opnieuw wilt installeren, hebt u de volgende items nodig:

- Dell *Operating System* (Besturingssysteem-cd)
- Dell *Drivers and Utilities* CD (Stuur- en hulpprogramma's-cd) in

Als u Windows XP opnieuw wilt installeren, dient u alle stappen in de volgende paragrafen uit te voeren in de volgorde waarin deze worden vermeld.

Het kan 1 tot 2 uren duren voordat het herinstallatieproces is voltooid. Nadat u het besturingssysteem opnieuw hebt geïnstalleerd, moet u ook de apparaatstuurprogramma's, het antivirusprogramma en andere software opnieuw installeren.

- ➔ **KENNISGEVING:** De cd met het *besturingssysteem* biedt opties voor het opnieuw installeren van Windows XP. U kunt met deze opties bestanden overschrijven en ook kunt u mogelijk programma's beïnvloeden die op uw vaste schijf zijn geïnstalleerd. Installeer Windows XP daarom niet opnieuw, tenzij een medewerker van de technische ondersteuning van Dell u vertelt dit te doen.

- ➔ **KENNISGEVING:** Ten einde conflicten met Windows XP te voorkomen, dient u enige antivirussoftware die zich op de computer bevindt uit te schakelen voordat u Windows XP opnieuw installeert. Zie de documentatie die bij de software is meegeleverd voor instructies.

Opstarten vanaf de cd met het besturingssysteem

- 1 Sla eventuele geopende bestanden op en sluit deze en sluit eventuele geopende programma's af.
- 2 Plaats de cd met het *besturingssysteem*. Klik op **Exit** (Afsluiten) als het bericht **Install Windows XP** (Windows XP installeren) verschijnt.
- 3 Start de computer opnieuw op.
- 4 Druk op <F12> direct nadat het logo van DELL verschijnt.

Als het besturingssysteemlogo wordt weergegeven, dient u te wachten tot het bureaublad van Windows verschijnt. Sluit de computer dan af en probeer het opnieuw.

- 5 Druk op de pijltoetsen om **CD-ROM** te selecteren en druk op <Enter>.
- 6 Druk op een willekeurige toets zodra het bericht **Press any key to boot from the CD** (Druk op een willekeurige toets om op te starten vanaf CD) wordt weergegeven.

Windows XP Setup

- 1 Zodra het venster **Windows XP Setup** wordt weergegeven, drukt u op <Enter> om **Windows nu installeren** te selecteren.
- 2 Lees de informatie in de **gebruiksrechtovereenkomst van Microsoft** en druk op <F8> om de overeenkomst te accepteren.
- 3 Als Windows XP al op uw computer is geïnstalleerd en u de huidige gegevens van Windows XP wilt herstellen, type u **r** om de reparatieoptie te selecteren en de cd te verwijderen.
- 4 Als u een nieuw exemplaar van Windows XP wilt installeren, drukt u op <Esc> om deze optie te selecteren.

- 5 Druk op <ENTER> om de gemarkeerde partitie te selecteren (aanbevolen) en volg de instructies die in het scherm verschijnen.

Het scherm **Windows XP Setup** verschijnt en het besturingssysteem begint bestanden te kopiëren en apparaten te installeren. De computer wordt automatisch meerdere malen opnieuw opgestart.



OPMERKING: Hoeveel tijd voor de setup nodig is, hangt af van de grootte van de vaste schijf en de snelheid van uw computer.




KENNISGEVING: Druk niet op een toets wanneer het volgende bericht wordt weergegeven: *Press any key to boot from the CD* (Druk op een toets om op te starten vanaf de CD).

- 6 Wanneer het scherm met de **regionale opties en taalopties** verschijnt, kiest u de passende instellingen voor uw locatie en klikt u op **Volgend**.
- 7 Typ uw naam en organisatie (optioneel) in het scherm waarin u **de software een eigen tintje kunt geven** en klik op **Volgende**.
- 8 Geef in het venster **Computer Name and Administrator Password** een naam voor uw computer op (of accepteer de voorgestelde naam) alsmede een wachtwoord, en klik op **Volgende**.
- 9 Geef zodra het scherm **Belgegevens voor modem** verschijnt de verzochte informatie op en klik op **Volgende**.
- 10 Typ de datum, tijd en tijdzone in het venster **Datum- en tijdstellingen** en klik dan op **Volgende**.
- 11 Zodra het scherm **Netwerkinstellingen** verschijnt, klikt u op **Standaard** en klik u vervolgens op **Volgend**.
- 12 Als u Windows XP Professional opnieuw installeert en wordt gevraagd meer informatie over uw netwerkconfiguratie te verstrekken, geeft u de gevraagde informatie. Als u niet zeker weet wat u hier moet instellen, aanvaardt u de standaardselecties.
Windows XP installeert de onderdelen van het besturingssysteem en configureert de computer. De computer wordt automatisch opnieuw gestart.
- ➔ **KENNISGEVING:** Druk niet op een toets wanneer het volgende bericht wordt weergegeven: *Press any key to boot from the CD* (Druk op een willekeurige cd om van de cd af te kunnen opstarten).
- 13 Klik op **Volgende** wanneer het scherm **Welkom bij Microsoft** wordt weergegeven.
- 14 Wanneer het bericht *How will this computer connect to the Internet?* (Op welke manier wilt u verbinding met het Internet maken?) wordt weergegeven, klikt u op **Overslaan**.
- 15 Wanneer het scherm **Bent u klaar om bij Microsoft te registreren?** wordt weergegeven, selecteert u **Nee, niet op dit moment** en klikt u op **Volgende**.
- 16 Wanneer het scherm **Wie gaat deze computer gebruiken?** wordt weergegeven, kunt u maximaal 5 gebruikers opgeven.
- 17 Klik op **Next** (Volgende).
- 18 Klik op **Voltoeien** om de setup te voltoeien en verwijder de cd.
- 19 Installeer de juist stuurprogramma's opnieuw met de *Drivers and Utilities* CD (Stuur- en hulpprogramma's-cd) in.
- 20 Installeer uw antivirussoftware opnieuw.
- 21 Installeer uw programma's opnieuw.

 **OPMERKING:** Als u Microsoft Office of Microsoft Works Suite opnieuw wilt installeren en activeren, hebt u het productsleutelnummer nodig dat zich achter op het cd-doesje van de genoemde programma's bevindt.

De cd met stuur- en hulpprogramma's gebruiken

Om gebruik te maken van de *Drivers and Utilities* (Stuur- en hulpprogramma's)-cd (*Bron-cd*) terwijl het Windows-besturingssysteem draait.

 **OPMERKING:** Als u apparaatstuurprogramma's en gebruikersdocumentatie wilt openen, dient u de cd *Drivers and Utilities* (Stuur- en hulpprogramma's) terwijl Windows actief is.

- 1 Zet de computer aan en start Windows op.
- 2 Plaats de cd *Drivers and Utilities* (Stuur- en hulpprogramma's) in het cd-station.
Als u de cd *Drivers and Utilities* (Stuur- en hulpprogramma's) voor het eerst op deze computer gebruikt, wordt het venster **ResourceCD Installation** (installatie ResourceCD) geopend om u te laten weten dat de installatie van de cd *Drivers and Utilities* gaat starten.
- 3 Klik op **OK** om door te gaan.
U voltooid de installatie door te reageren op de aanwijzingen van het installatieprogramma.
- 4 Klik op **Next** (Volgende) in het scherm **Welcome Dell System Owner** (Welkom, eigenaar van een Dell-systeem).

Selecteer het juiste systeemmodel, besturingssysteem, apparaattype, en onderwerp.

Stuurprogramma's voor uw computer

Om een lijst met standaard stuurprogramma's voor uw computer weer te geven:

- 1 Klik op **Mijn stuurprogramma's** in het vervolgkeuzemenu **Onderwerp**.
De cd met *stuur- en hulpprogramma's* (optioneel) scant de hardware en het besturingssysteem van uw computer. Vervolgens wordt een lijst met apparaatstuurprogramma's weergegeven in het scherm.
- 2 Klik op het juiste stuurprogramma en volg de instructies om dit stuurprogramma naar uw computer te downloaden.

U kunt alle beschikbare stations voor uw computer weergeven door op **Stuurprogramma's** te klikken in het vervolgkeuzemenu **Onderwerp**.

Register

B

besturingssysteem
opnieuw installeren, 126
Besturingssysteem-cd, 126

C

Cd's
besturingssysteem, 126
conflicten
software en hardware
incompatibiliteit, 174

D

Dell Diagnostics, 166
Dell support-website, 127
diagnostiek
Dell Diagnostics, 166
pieptooncodes, 173
documentatie
ergonomisch, 126
garanties, 126
handleiding, 125
licentieovereenkomst voor
eindgebruikers, 126
online, 127
Productinformatiegids, 126
regelgeving, 126
veiligheid, 126

E

ergonomische informatie, 126

F

foutmeldingen
indicatielampjes, 170
pieptooncodes, 173
systeemplampjes, 169

G

garantie-informatie, 126

H

handleiding, 125
hardware
conflicten, 174
Dell Diagnostics, 166
pieptooncodes, 173
Hardware
probleemoplosser, 174
Help en Support Center, 126
help-bestand
Windows Help en Support
Center, 126

I

IRQ conflicten, 174

K

kap
verwijderen, 145

L

labels
Microsoft Windows, 127
servicelabel, 127
lampjes
diagnostiek, 170
stroom, 138
systeem, 169
licentieovereenkomst voor
eindgebruikers, 126

M

moederbord, 153, 156, 162
moederbord. *Zie* moederbord
moederbord *Zie* moederbord

O

onderdelen installeren
voordat u begint, 145
opnieuw installeren
Windows XP, 176

P

- pieptooncodes, 173
- probleemoplossing
 - de computer naar de vorige werkende staat terugzetten, 174
- problemen oplossen
 - conflicten, 174
 - Dell Diagnostics, 166
 - Hardware
 - probleemoplosser, 174
 - Help en Support Center, 126
 - indicatielampjes, 170
 - pieptooncodes, 173
 - systeemplampjes, 169
- problemen. *Zie problemen oplossen*
- Productinformatiegids, 126

R

- regelgeving, 126

S

- Servicelabel, 127
- software
 - conflicten, 174
- stroom
 - lampje, 138
- stroomlampje
 - problemen diagnosticeren met, 169
- Stuur- en hulpprogramma's-cd, 125

- stuurprogramma's
 - lijst van, 179
- support-website, 127
- System Restore, 174

V

- veiligheidsinstructies, 126

W

- Windows XP
 - Hardware
 - probleemoplosser, 174
 - Help en Support Center, 126
 - opnieuw installeren, 126
 - Windows XP opnieuw installeren, 176
 - Probleemoplossing
 - hardware, 174
 - setup, 177
 - System Restore, 174

Dell™ OptiPlex™ 745

Συνοπτικός οδηγός

Μοντέλα DCTR, DCNE, DCSM και DCCY

Σημειώσεις, Ειδοποιήσεις και Προσοχή



ΣΗΜΕΙΩΣΗ: Η ΣΗΜΕΙΩΣΗ υποδεικνύει σημαντικές πληροφορίες που σας βοηθούν να χρησιμοποιείτε καλύτερα τον υπολογιστή σας.



ΕΙΔΟΠΟΙΗΣΗ: Η ΕΙΔΟΠΟΙΗΣΗ υποδηλώνει δυνητική βλάβη υλικού ή απώλεια δεδομένων και υποδεικνύει τον τρόπο με τον οποίο μπορείτε να αποφύγετε το πρόβλημα.



ΠΡΟΣΟΧΗ: Η ΠΡΟΣΟΧΗ υποδηλώνει δυνητική βλάβη υλικού, τραυματισμό ή θάνατο.

Εάν αγοράσετε έναν υπολογιστή Dell™ της σειράς n, οι αναφορές του παρόντος για τα λειτουργικά συστήματα Microsoft® Windows® δεν είναι εφαρμόσιμες.

Οι πληροφορίες αυτού του εγγράφου μπορεί να αλλάξουν χωρίς προειδοποίηση.

© 2006 Dell Inc. Με επιφύλαξη παντός δικαιώματος.

Απαγορεύεται αυστηρά η αναπαραγωγή με οποιονδήποτε τρόπο χωρίς τη γραπτή άδεια της Dell Inc.

Εμπορικά σήματα που χρησιμοποιούνται στο παρόν έγγραφο: Η ονομασία *Dell*, το λογότυπο *DELL*, οι ονομασίες *Inspiron*, *Dell Precision*, *Dimension*, *OptiPlex*, *Latitude*, *PowerEdge*, *PowerVault*, *PowerApp*, και *DellOpenManage* είναι εμπορικά σήματα της Dell Inc. Οι ονομασίες *Intel*, *Pentium*, και *Celeron* είναι σήματα κατατεθέντα της Intel Corporation. Η ονομασία *Microsoft* και *Windows* είναι σήματα κατατεθέντα της Microsoft Corporation.

Άλλα εμπορικά σήματα και εμπορικές ονομασίες μπορεί να χρησιμοποιούνται στο παρόν έγγραφο αναφερόμενα είτε στους κατόχους των σημάτων και των ονομάτων είτε στα προϊόντα τους. Η Dell Inc. παραιτείται από κάθε δικαίωμα σε εμπορικά σήματα και εμπορικές ονομασίες τρίτων.

Μοντέλα DCTR, DCNE, DCSM και DCCY

Αύγουστος 2006

P/N FH898

Αναθ. A00

Περιεχόμενα

Εύρεση πληροφοριών	187
Όψεις του συστήματος	191
Υπολογιστής Mini Tower — Μπροσινή όψη	191
Υπολογιστής Mini Tower — Πίσω όψη	193
Υπολογιστής Mini Tower — Θύρες στο πίσω μέρος	194
Επιτραπέζιος υπολογιστής— Μπροσινή όψη	196
Επιτραπέζιος υπολογιστής — Πίσω όψη.	198
Επιτραπέζιος υπολογιστής — Θύρες στο πίσω μέρος.	199
Μικρός υπολογιστής (SFF) — Μπροσινή όψη	200
Μικρός υπολογιστής (SFF) — Πίσω όψη.	202
Μικρός υπολογιστής (SFF) — Θύρες στο πίσω μέρος.	203
Εξαιρετικά μικρός υπολογιστής — Μπροσινή όψη	204
Εξαιρετικά μικρός υπολογιστής — Πλαϊνή όψη.	206
Εξαιρετικά μικρός υπολογιστής — Πίσω όψη	206
Εξαιρετικά μικρός υπολογιστής — Θύρες στο πίσω μέρος	207
Αφαίρεση του καλύμματος του υπολογιστή	208
Πριν ξεκινήσετε	208
Υπολογιστής Mini Tower	209
Επιτραπέζιος υπολογιστής	211
Μικρός υπολογιστής (SFF)	212
Εξαιρετικά μικρός υπολογιστής	213
Στο εσωτερικό του υπολογιστή σας	215
Υπολογιστής Mini Tower	215
Επιτραπέζιος υπολογιστής	218
Μικρός υπολογιστής (SFF)	221
Εξαιρετικά μικρός υπολογιστής	224
.	226
Ρύθμιση του υπολογιστή σας	227
Ρύθμιση του πληκτρολογίου και του ποντικιού σας	228
Ρύθμιση της οθόνης σας.	228
Συνδέσεις τροφοδοσίας.	229
Επίλυση προβλημάτων	229
Διαγνωστικό πρόγραμμα της Dell	229

Λυχνίες συστήματος	232
Διαγνωστικές λυχνίες	234
Προβλήματα κωδικών ηχητικών σημάτων	237
Επίλυση ασυμβατοτήτων λογισμικού και υλικού	238
Χρήση της Επαναφοράς συστήματος των Microsoft Windows XP	238
Επανεγκατάσταση των Microsoft Windows XP	240
Χρήση του CD Προγράμματα οδήγησης και βοηθητικές εφαρμογές	243
Προγράμματα οδήγησης για τον υπολογιστή σας	243
Ευρετήριο	245

Εύρεση πληροφοριών

ΣΗΜΕΙΩΣΗ: Ορισμένες λειτουργίες ή μέσα μπορεί να είναι προαιρετικά και μπορεί να μην αποστέλλονται με τον υπολογιστή σας. Ορισμένες λειτουργίες ή μέσα μπορεί να μην είναι διαθέσιμα σε ορισμένες χώρες.

ΣΗΜΕΙΩΣΗ: Πρόσθετες πληροφορίες μπορούν να αποσταλούν μαζί με τον υπολογιστή σας.

Τι Ψάχνετε;

- Ένα διαγνωστικό πρόγραμμα για τον υπολογιστή μου
- Προγράμματα οδήγησης για τον υπολογιστή μου
- Την τεκμηρίωση του υπολογιστή μου
- Την τεκμηρίωση της συσκευής μου
- Λογισμικό επιτραπέζιου συστήματος (DSS)

Βρείτε το εδώ

CD Προγράμματα οδήγησης και βοηθητικές εφαρμογές (CD πόρων)

ΣΗΜΕΙΩΣΗ: Το CD *Προγράμματα οδήγησης και βοηθητικές εφαρμογές* είναι προαιρετικό και μπορεί να μην αποσταλεί με τον υπολογιστή σας.

Η τεκμηρίωση και τα προγράμματα οδήγησης είναι ήδη εγκατεστημένα στον υπολογιστή σας. Μπορείτε να χρησιμοποιήσετε το CD σε περίπτωση που χρειαστεί να εγκαταστήσετε ξανά τα προγράμματα οδήγησης (δείτε «Χρήση του CD Προγράμματα οδήγησης και βοηθητικές εφαρμογές» στη σελίδα 243), εκτελέστε το διαγνωστικό πρόγραμμα της Dell (δείτε «Διαγνωστικό πρόγραμμα της Dell» στη σελίδα 229) ή για πρόσβαση στην τεκμηρίωσή σας.



Τα αρχεία Readme ενδέχεται να περιλαμβάνονται στο CD για να παρέχουν τις πιο πρόσφατες ενημερώσεις σχετικά με τεχνικές αλλαγές στον υπολογιστή σας ή εξελεγμένο υλικό αναφοράς τεχνικού περιεχομένου για έμπειρους χρήστες ή τεχνικούς.

ΣΗΜΕΙΩΣΗ: Προγράμματα οδήγησης και ενημερώσεις τεκμηρίωσης θα βρείτε στη διεύθυνση support.dell.com.

- Απομάκρυνση και αντικατάσταση τμημάτων
- Προδιαγραφές
- Διαμόρφωση των ρυθμίσεων του συστήματος
- Τρόπος αντιμετώπισης και επίλυσης προβλημάτων

Οδηγός χρήσης του Dell™ OptiPlex™

Κέντρο Βοήθειας και υποστήριξης Microsoft Windows XP

1 Κάντε κλικ στο **Start** (Έναρξη) → **Help and Support** (Βοήθεια και υποστήριξη) → **Dell User and System Guides** (Οδηγοί χρήστη και συστήματος Dell) → **System Guides** (Οδηγοί συστήματος).

2 Κάντε κλικ στο *User's Guide* (Οδηγός χρήσης) για τον υπολογιστή σας.

Ο *Οδηγός χρήσης* είναι επίσης διαθέσιμος στο προαιρετικό CD *Προγράμματα οδήγησης και βοηθητικές εφαρμογές*.

Τι Ψάχνετε;

- Πληροφορίες εγγύησης
- Όροι και συνθήκες (μόνο για ΗΠΑ)
- Οδηγίες ασφαλείας
- Πληροφορίες κανονισμών
- Πληροφορίες εργονομίας
- Άδεια Χρήσης Τελικού Χρήστη

Βρείτε το εδώ

Οδηγός πληροφοριών προϊόντος Dell™



-
- Επανεγκατάσταση του λειτουργικού συστήματος

CD λειτουργικού συστήματος

ΣΗΜΕΙΩΣΗ: Το CD *Λειτουργικό σύστημα* μπορεί να είναι προαιρετικό και μπορεί να μην αποσταλεί με τον υπολογιστή σας.

Το λειτουργικό σύστημα είναι ήδη εγκατεστημένο στον υπολογιστή σας. Για να εγκαταστήσετε ξανά το λειτουργικό σας σύστημα, χρησιμοποιήστε το CD *Λειτουργικό σύστημα* CD (δείτε «Επανεγκατάσταση των Microsoft Windows XP» στη σελίδα 240).



Αφού εγκαταστήσετε ξανά το λειτουργικό σας σύστημα, χρησιμοποιήστε το προαιρετικό CD *Προγράμματα οδήγησης και βοηθητικές εφαρμογές (CD πόρων)* για να εγκαταστήσετε ξανά τους οδηγούς για τις συσκευές που συμπεριλαμβάνονταν στον υπολογιστή σας. Για

περισσότερες πληροφορίες, δείτε «CD Προγράμματα οδήγησης και βοηθητικές εφαρμογές (CD πόρων)» στη σελίδα 187.

Η ετικέτα για το κλειδί προϊόντος του λειτουργικού σας συστήματος βρίσκεται επάνω στον υπολογιστή σας (δείτε «Ετικέτα εξυπηρέτησης και κλειδιού προϊόντος Microsoft® Windows®» στη σελίδα 189).

ΣΗΜΕΙΩΣΗ: Το χρώμα του CD *Λειτουργικό σύστημα* ποικίλει ανάλογα με το λειτουργικό σύστημα που παραγγείλατε.

Τι Ψάχνετε;

- Χρήση των Windows XP
 - Εργασία με προγράμματα και αρχεία
 - Προσαρμογή της επιφάνειας εργασίας
-
- Ετικέτα εξυπηρέτησης και κωδικός ταχείας εξυπηρέτησης
 - Ετικέτα κλειδιού προϊόντος Microsoft Windows

Βρείτε το εδώ

Κέντρο Βοήθειας και υποστήριξης των Windows

- 1** Κάντε κλικ στο **Start** (Εναρξη)→ **Help and Support** (Βοήθεια και υποστήριξη).
- 2** Πληκτρολογήστε μια λέξη ή φράση που περιγράφει το πρόβλημα και κάντε κλικ στο εικονίδιο του βέλους.
- 3** Κάντε κλικ στα θέματα που περιγράφουν το πρόβλημα που αντιμετωπίζετε.
- 4** Ακολουθήστε τις οδηγίες στην οθόνη.

Ετικέτα εξυπηρέτησης και κλειδιού προϊόντος Microsoft® Windows®

Οι ετικέτες αυτές βρίσκονται επάνω στον υπολογιστή σας.

- Χρησιμοποιήστε την ετικέτα εξυπηρέτησης για την αναγνώριση της συσκευής σας όταν χρησιμοποιείτε τη διεύθυνση **support.dell.com** ή έρχεστε σε επαφή με την υποστήριξη.
- Χρησιμοποιήστε τον κωδικό ταχείας εξυπηρέτησης όταν έρθετε σε επαφή με την υποστήριξη.



Τι Ψάχνετε;

- Λύσεις — Οδηγίες και συμβουλές αντιμετώπισης προβλημάτων, άρθρα από τεχνικούς, online μαθήματα, και συχνές ερωτήσεις
- Φόρουμ επικοινωνίας — Online συζητήσεις με άλλους πελάτες της Dell
- Αναβαθμίσεις — Πληροφορίες αναβάθμισης για συστατικά στοιχεία όπως η μνήμη, η μονάδα σκληρού δίσκου και το λειτουργικό σύστημα.
- Εξυπηρέτηση Πελατών — Πληροφορίες επαφών, κλήση σέρβις και κατάσταση παραγγελιών, εγγύηση και πληροφορίες επισκευών
- Σέρβις και υποστήριξη — Κλήση σέρβις, ιστορικό υποστήριξης και online συζητήσεις με την υποστήριξη
- Παραπομπές — Εγχειρίδια υπολογιστή, αναλυτικά στοιχεία για τη διαμόρφωση του υπολογιστή μου, προδιαγραφές προϊόντος και επίσημα έγγραφα
- Λήψη αρχείων — Πιστοποιημένα προγράμματα οδήγησης, αναβάθμισης και ενημέρωσης λογισμικού
- Desktop System Software (DSS) — Σε περίπτωση που χρειαστεί να εγκαταστήσετε ξανά το λειτουργικό σύστημα στον υπολογιστή σας, θα πρέπει επίσης να εγκαταστήσετε ξανά το βοηθητικό πρόγραμμα DSS. Το DSS ανιχνεύει αυτόματα τον υπολογιστή σας και το λειτουργικό σύστημα και εγκαθιστά τις αναβαθμίσεις ανάλογα με τη διαμόρφωση του υπολογιστή σας, παρέχοντας σημαντικές αναβαθμίσεις για το λειτουργικό σας σύστημα και υποστήριξη για μονάδες δισκέτας Dell™ 3,5-ιντσών USB, επεξεργαστές Intel®, μονάδες οπτικών δίσκων και συσκευές USB. Το DSS είναι απαραίτητο για τη σωστή λειτουργία του υπολογιστή Dell.

Βρείτε το εδώ

Ιστοχώρος υποστήριξης της Dell — support.dell.com

ΣΗΜΕΙΩΣΗ: Επιλέξτε την περιοχή σας για να εμφανίσετε την αντίστοιχη τοποθεσία υποστήριξης.

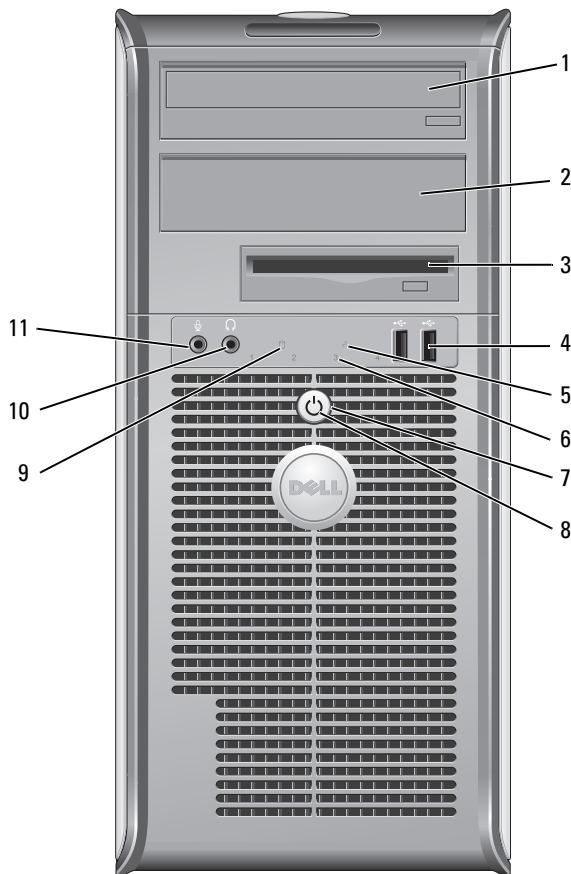
Για λήψη του λογισμικού συστήματος φορητού υπολογιστή:

- 1** Επισκεφθείτε τη διεύθυνση support.dell.com, επιλέξτε την αντίστοιχη περιοχή ή τμήμα, κατόπιν πληκτρολογήστε την ετικέτα εξυπηρέτησης.
- 2** Επιλέξτε **Drivers & Downloads** (Προγράμματα οδήγησης & λήψεις) και κάντε κλικ στο **Go** (Μετάβαση).
- 3** Κάντε κλικ στο λειτουργικό σας σύστημα και κατόπιν κάντε αναζήτηση για *Desktop System Software*.



ΣΗΜΕΙΩΣΗ: Το περιβάλλον του support.dell.com ενδεχομένως να διαφέρει ανάλογα με τις επιλογές σας.

Όψεις του συστήματος

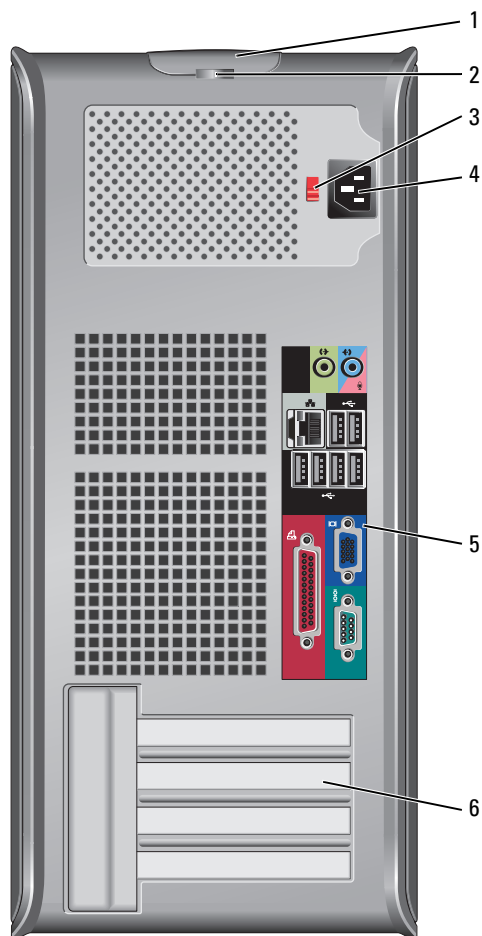
Υπολογιστής Mini Tower — Μπροστινή όψη



- | | | |
|---|-----------------------------------|--|
| 1 | φατνίο μονάδας δίσκου 5,25 ιντσών | Μπορεί να περιέχει μονάδα οπτικών δίσκων. Στη μονάδα αυτή μπορείτε να τοποθετείτε CD ή DVD (αναλόγως). |
| 2 | φατνίο μονάδας δίσκου 5,25 ιντσών | Μπορεί να περιέχει μονάδα οπτικών δίσκων. Στη μονάδα αυτή μπορείτε να τοποθετείτε CD ή DVD (αναλόγως). |
| 3 | φατνίο μονάδας δίσκου 3,5 ιντσών | Μπορεί να περιέχει προαιρετική μονάδα δισκέτας ή προαιρετική συσκευή ανάγνωσης καρτών. |

- 4 θύρες USB 2.0 (2) Χρησιμοποιείτε τις θύρες USB για συσκευές που συνδέετε περιστασιακά, όπως χειριστήρια joystick ή κάμερες, ή για ανεξάρτητες συσκευές USB (ανατρέξτε στον online *Οδηγό χρήσης* για περισσότερες πληροφορίες σχετικά με την εκκίνηση από μια συσκευή USB).
- Συνιστάται να χρησιμοποιείτε θύρες USB του πίσω μέρους για συσκευές που παραμένουν συνήθως συνδεδεμένες, όπως εκτυπωτές και πληκτρολόγια.
- 5 ενδεικτική λυχνία LAN Αυτή η λυχνία δείχνει ότι έχει γίνει σύνδεση LAN (τοπικό δίκτυο).
- 6 διαγνωστικές λυχνίες Με τη βοήθεια των λυχνιών μπορείτε να επιλύσετε κάποιο πρόβλημα του υπολογιστή σας βάσει του κωδικού διάγνωσης. Για περισσότερες πληροφορίες, δείτε «Διαγνωστικές λυχνίες» στη σελίδα 234.
- 7 κουμπί λειτουργίας Πατήστε αυτό το κουμπί για να ενεργοποιήσετε τον υπολογιστή.
-  **ΕΙΔΟΠΟΙΗΣΗ:** Για να αποφύγετε την απώλεια δεδομένων, μην σβήνετε τον υπολογιστή σας πατώντας το κουμπί λειτουργίας. Αντί γι αυτό, σβήστε τον υπολογιστή μέσω του λειτουργικού συστήματος. Για περισσότερες πληροφορίες δείτε «Πριν ξεκινήσετε» στη σελίδα 208.
-  **ΕΙΔΟΠΟΙΗΣΗ:** Αν το λειτουργικό σας σύστημα υποστηρίζει ACPI, όταν πατάτε το κουμπί λειτουργίας ο υπολογιστής θα σβήνει μέσω του λειτουργικού συστήματος.
- 8 λυχνία ένδειξης τροφοδοσίας Η λυχνία ανάβει και αναβοσβήνει ή μένει σταθερή, υποδεικνύοντας διάφορες καταστάσεις λειτουργίας:
- Σβηστή — Ο υπολογιστής είναι σβηστός.
 - Σταθερή πράσινη — Ο υπολογιστής βρίσκεται σε κανονική λειτουργική κατάσταση.
 - Αναβοσβήνει πράσινη — Ο υπολογιστής βρίσκεται σε λειτουργία εξοικονόμησης ενέργειας.
 - Αναβοσβήνει ή σταθερή πορτοκαλί — Ανατρέξτε στον online *Οδηγό χρήσης*.
- Για έξοδο από μια κατάσταση εξοικονόμησης ενέργειας, πατήστε το κουμπί λειτουργίας ή χρησιμοποιήστε το πληκτρολόγιο ή το ποντίκι, εφόσον αυτά είναι ρυθμισμένα ως «συσκευές αφύπνισης» στη Διαχείριση Συσκευών των Windows. Για περισσότερες πληροφορίες σχετικά με τις καταστάσεις αδράνειας και την έξοδο από τη λειτουργία εξοικονόμησης ενέργειας, ανατρέξτε στον online *Οδηγό χρήσης*.
- Ανατρέξτε στην ενότητα «Λυχνίες συστήματος» στη σελίδα 232 για μια περιγραφή των κωδικών λυχνιών που μπορεί να σας βοηθήσουν στην επίλυση προβλημάτων του υπολογιστή σας.
- 9 λυχνία λειτουργίας σκληρού δίσκου Η λυχνία αυτή αναβοσβήνει όταν χρησιμοποιείται ο σκληρός δίσκος.
- 10 θύρα ακουστικών Χρησιμοποιήστε τη θύρα ακουστικών για να συνδέσετε ακουστικά και τα περισσότερα ήδη ηχείων.
- 11 θύρα μικροφώνου Χρησιμοποιήστε τη θύρα μικροφώνου για να συνδέσετε ένα μικρόφωνο.

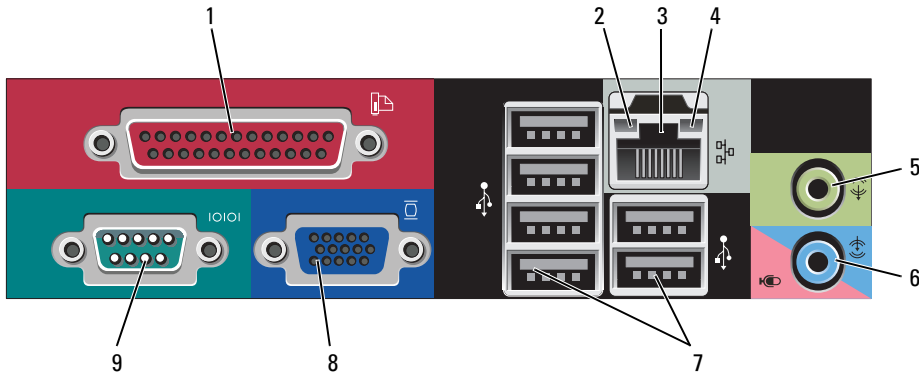
Υπολογιστής Mini Tower — Πίσω όψη



- 1 ασφάλεια απελευθέρωσης Με την ασφάλεια αυτή μπορείτε να ανοίξετε το κάλυμμα του υπολογιστή. καλύμματος
- 2 κρίκος κλειδαριάς Τοποθετήστε λουκέτο για να κλειδώσετε το κάλυμμα του υπολογιστή σας.

- 3 διακόπτης επιλογής τάσης Ο υπολογιστής σας είναι εξοπλισμένος με ένα χειροκίνητο διακόπτη επιλογής τάσης. Προς αποφυγή πρόκλησης ζημιάς σε υπολογιστή με χειροκίνητο διακόπτη επιλογής τάσης, γυρίστε το διακόπτη στην τάση που συμφωνεί όσο το δυνατόν περισσότερο με την ισχύ AC που είναι διαθέσιμη στην περιοχή σας.
- ➔ **ΕΙΔΟΠΟΙΗΣΗ:** Ο διακόπτης επιλογής τάσης πρέπει να ρυθμίζεται στη θέση 115-V, παρόλο που η διαθέσιμη ισχύς AC στην Ιαπωνία είναι 100 V.
- Επίσης, βεβαιωθείτε ότι η οθόνη σας και οι συνδεδεμένες συσκευές είναι κατάλληλες για λειτουργία με την ισχύ AC που υπάρχει στην περιοχή σας.
- 4 θύρα ισχύος Συνδέστε το καλώδιο τροφοδοσίας.
- 5 θύρες πίσω πλευράς Συνδέστε τις σειριακές, USB και άλλες συσκευές στις αντίστοιχες θύρες (δείτε «Υπολογιστής Mini Tower — Θύρες στο πίσω μέρος» στη σελίδα 194).
- 6 υποδοχές καρτών Μπορείτε να έχετε πρόσβαση στις θύρες για όλες τις εγκατεστημένες κάρτες PCI και PCI Express.

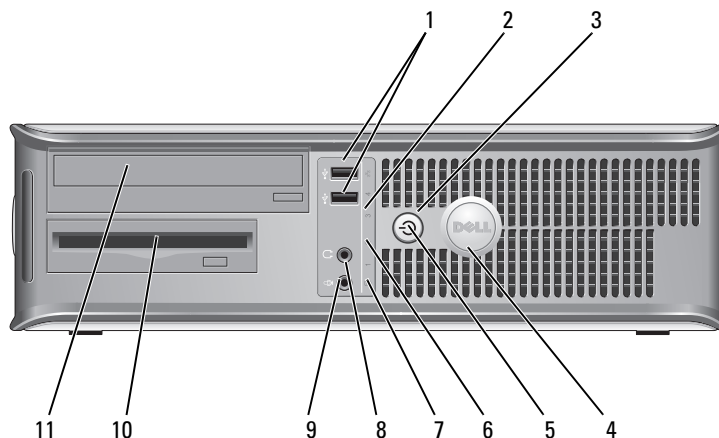
Υπολογιστής Mini Tower — Θύρες στο πίσω μέρος



- 1 παράλληλη θύρα Συνδέστε μια παράλληλη συσκευή, όπως έναν εκτυπωτή, στην παράλληλη θύρα. Αν έχετε εκτυπωτή USB, συνδέστε τον σε μια θύρα USB.
- ΣΗΜΕΙΩΣΗ:** Η ενσωματωμένη παράλληλη θύρα απενεργοποιείται αυτόματα αν ο υπολογιστής ανιχνεύσει εγκατεστημένη κάρτα με παράλληλη θύρα ρυθμισμένη στην ίδια διεύθυνση. Για περισσότερες πληροφορίες, ανατρέξτε στον online Οδηγό χρήσης.
- 2 λυχνία ακεραιότητας σύνδεσης
- Πράσινη — Υπάρχει καλή σύνδεση μεταξύ ενός δικτύου 10-Mbps και του υπολογιστή.
 - Πορτοκαλί — Υπάρχει καλή σύνδεση μεταξύ ενός δικτύου 100-Mbps και του υπολογιστή.
 - Κίτρινη — Υπάρχει καλή σύνδεση μεταξύ ενός δικτύου 1-Gbps (ή 1000-Mbps) και του υπολογιστή.
 - Σβηστή — Ο υπολογιστής δεν ανιχνεύει φυσική σύνδεση με το δίκτυο.

- 3 θύρα κάρτας δικτύου Για να συνδέσετε το υπολογιστή σε ένα δίκτυο ή σε ευρυζωνική συσκευή, συνδέστε τη μία άκρη ενός καλωδίου δικτύου είτε στην υποδοχή δικτύου είτε στη δικτυακή ή ευρυζωνική συσκευή σας. Συνδέστε την άλλη άκρη του καλωδίου δικτύου στην κάρτα δικτύου στο πίσω μέρος του υπολογιστή σας. Ένα κλικ δείχνει ότι το καλώδιο δικτύου συνδέθηκε με ασφάλεια.
ΣΗΜΕΙΩΣΗ: Μην συνδέετε τηλεφωνικό καλώδιο στη θύρα δικτύου.
Σε υπολογιστές με κάρτα δικτύου, χρησιμοποιείτε τη θύρα της κάρτας.
Συνιστάται να χρησιμοποιείτε καλώδια και θύρες κατηγορίας 5 για το δίκτυό σας. Αν είστε αναγκασμένοι να χρησιμοποιήσετε κατηγορία καλωδίων 3, ρυθμίστε το δίκτυο σε ταχύτητα 10 Mbps για να εξασφαλίσετε αξιόπιστη λειτουργία.
- 4 λυχνία λειτουργίας δικτύου Αναβοσβήνει κίτρινη όταν ο υπολογιστής στέλνει ή λαμβάνει δεδομένα δικτύου. Μεγάλος όγκος κίνησης δικτύου μπορεί να κάνει αυτή τη λυχνία να φαίνεται ότι είναι σταθερά αναμμένη.
- 5 θύρα line-out Χρησιμοποιήστε την πράσινη θύρα line-out για να συνδέσετε τα περισσότερα ηχεία με ενσωματωμένο ενισχυτή.
- 6 θύρα line-in/μικροφώνου Χρησιμοποιήστε την μπλε και ροζ θύρα line-in/μικροφώνου για να συνδέσετε μια συσκευή εγγραφής/αναπαραγωγής, όπως ένα κασετόφωνο, ένα CD player ή βίντεο, ή ένα μικρόφωνο υπολογιστή για φωνή ή μουσική εγγραφή σε ένα πρόγραμμα ήχου ή τηλεφωνίας.
- 7 θύρες USB 2.0 (6) Χρησιμοποιείτε τις θύρες USB του πίσω μέρους για συσκευές που παραμένουν συνήθως συνδεδεμένες, όπως εκτυπωτές και πληκτρολόγια.
- 8 θύρα βίντεο Συνδέστε το καλώδιο από τη συμβατή με VGA οθόνη σας στην μπλε θύρα.
ΣΗΜΕΙΩΣΗ: Αν αγοράσατε έξτρα κάρτα γραφικών, αυτή η θύρα θα κλείσει με ένα κάλυμμα. Συνδέστε την οθόνη σας στη θύρα της κάρτας γραφικών. Μην αφαιρείτε το κάλυμμα.
ΣΗΜΕΙΩΣΗ: Αν χρησιμοποιείτε κάρτα γραφικών που υποστηρίζει διπλές οθόνες, χρησιμοποιήστε το καλώδιο y που συνοδεύει τον υπολογιστή σας.
- 9 σειριακή θύρα Συνδέστε μια σειριακή συσκευή, όπως κάποια συσκευή χειρός, στη σειριακή θύρα. Οι προεπιλεγμένες αντιστοιχίσεις είναι COM1 για σειριακή θύρα 1 και COM2 για σειριακή θύρα 2.
Για περισσότερες πληροφορίες, δείτε τον online *Οδηγό χρήσης*.

Επιτραπέζιος υπολογιστής— Μπροσινή όψη



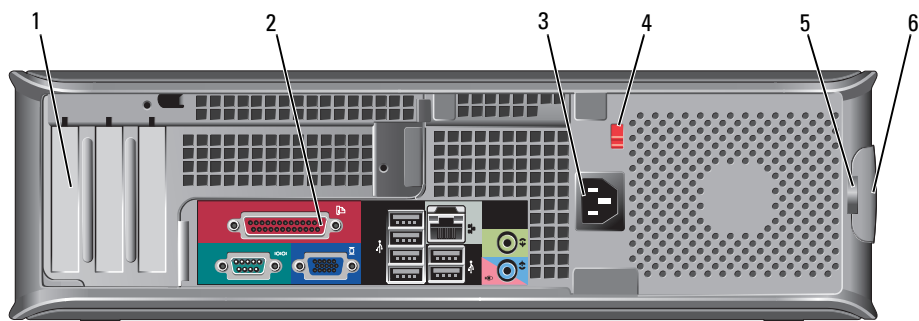
- 1 θύρες USB 2.0 (2)

Χρησιμοποιείτε τις θύρες USB για συσκευές που συνδέετε περιστασιακά, όπως χειριστήρια joystick ή κάμερες, ή για ανεξάρτητες συσκευές USB (ανατρέξτε στον *online Οδηγό χρήσης* για περισσότερες πληροφορίες σχετικά με την εκκίνηση από μια συσκευή USB).

Συνιστάται να χρησιμοποιείτε θύρες USB του πίσω μέρους για συσκευές που παραμένουν συνήθως συνδεδεμένες, όπως εκτυπωτές και πληκτρολόγια.
- 2 ενδεικτική λυχνία LAN
Αυτή η λυχνία δείχνει ότι έχει γίνει σύνδεση LAN (τοπικό δίκτυο).
- 3 κουμπί λειτουργίας
Πατήστε αυτό το κουμπί για να ενεργοποιήσετε τον υπολογιστή.
 - ➔ **ΕΙΔΟΠΟΙΗΣΗ:** Για να αποφύγετε την απώλεια δεδομένων, μην σβήνετε τον υπολογιστή σας πατώντας το κουμπί λειτουργίας. Αντί γι αυτό, σβήστε τον υπολογιστή μέσω του λειτουργικού συστήματος. Για περισσότερες πληροφορίες δείτε «Πριν ξεκινήσετε» στη σελίδα 208.
 - ➔ **ΕΙΔΟΠΟΙΗΣΗ:** Αν το λειτουργικό σας σύστημα υποστηρίζει ACPI, όταν πατάτε το κουμπί λειτουργίας ο υπολογιστής θα σβήνει μέσω του λειτουργικού συστήματος.
- 4 σήμα της Dell
Το σήμα αυτό μπορεί να περιστραφεί ανάλογα με τον προσανατολισμό του υπολογιστή σας. Για να το περιστρέψετε, τοποθετήστε τα δάκτυλά σας γύρω από το εξωτερικό του σήματος, πιέστε ελαφρώς και γυρίστε το. Μπορείτε επίσης να το περιστρέψετε χρησιμοποιώντας τη σχισμή που υπάρχει κοντά στο κάτω μέρος του σήματος.

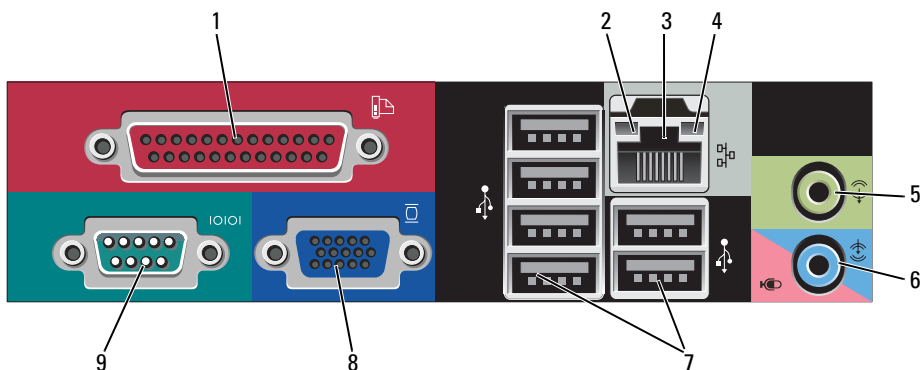
- 5 λυχνία ένδειξης τροφοδοσίας
- Η λυχνία ανάβει και αναβοσβήνει ή μένει σταθερή, υποδεικνύοντας διάφορες καταστάσεις λειτουργίας:
- Σβηστή — Ο υπολογιστής είναι σβηστός.
 - Σταθερή πράσινη — Ο υπολογιστής βρίσκεται σε κανονική λειτουργική κατάσταση.
 - Αναβοσβήνει πράσινη — Ο υπολογιστής βρίσκεται σε λειτουργία εξοικονόμησης ενέργειας.
 - Αναβοσβήνει ή σταθερή πορτοκαλί — Ανατρέξτε στον online *Οδηγό χρήσης*.
- Για έξοδο από μια κατάσταση εξοικονόμησης ενέργειας, πατήστε το κουμπί λειτουργίας ή χρησιμοποιήστε το πληκτρολόγιο ή το ποντίκι, εφόσον αυτά είναι ρυθμισμένα ως «συσκευές αφύπνισης» στη Διαχείριση Συσκευών των Windows. Για περισσότερες πληροφορίες σχετικά με τις καταστάσεις αδράνειας και την έξοδο από τη λειτουργία εξοικονόμησης ενέργειας, ανατρέξτε στον online *Οδηγό χρήσης*.
- Ανατρέξτε στην ενότητα «Λυχνίες συστήματος» στη σελίδα 232 για μια περιγραφή των κωδικών λυχνιών που μπορεί να σας βοηθήσουν στην επίλυση προβλημάτων του υπολογιστή σας.
- 6 διαγνωστικές λυχνίες
- Με τη βοήθεια των λυχνιών μπορείτε να επιλύσετε κάποιο πρόβλημα του υπολογιστή σας βάσει του κωδικού διάγνωσης. Για περισσότερες πληροφορίες, ανατρέξτε «Διαγνωστικές λυχνίες» στη σελίδα 234.
- 7 λυχνία λειτουργίας σκληρού δίσκου
- Η λυχνία αυτή αναβοσβήνει όταν χρησιμοποιείται ο σκληρός δίσκος.
- 8 θύρα ακουστικών
- Χρησιμοποιήστε τη θύρα ακουστικών για να συνδέσετε ακουστικά και τα περισσότερα ήδη ηχείων.
- 9 θύρα μικροφώνου
- Χρησιμοποιήστε τη θύρα μικροφώνου για να συνδέσετε ένα μικρόφωνο.
- 10 φατνίο μονάδας δίσκου 3,5 ιντσών
- Μπορεί να περιέχει προαιρετική μονάδα δισκέτας ή προαιρετική συσκευή ανάγνωσης καρτών.
- 11 φατνίο μονάδας δίσκου 5,25 ιντσών
- Μπορεί να περιέχει μονάδα οπτικών δίσκων. Στη μονάδα αυτή μπορείτε να τοποθετείτε CD ή DVD (αναλόγως).

Επιτραπέζιος υπολογιστής — Πίσω όψη



- 1 υποδοχές καρτών
Μπορείτε να έχετε πρόσβαση στις θύρες για όλες τις εγκατεστημένες κάρτες PCI και PCI Express.
- 2 θύρες πίσω πλευράς
Συνδέστε τις σειριακές, USB και άλλες συσκευές στις αντίστοιχες θύρες (δείτε «Επιτραπέζιος υπολογιστής — Θύρες στο πίσω μέρος» στη σελίδα 199).
- 3 θύρα ισχύος
Συνδέστε το καλώδιο τροφοδοσίας.
- 4 διακόπτης επιλογής τάσης
Ο υπολογιστής σας είναι εξοπλισμένος με ένα χειροκίνητο διακόπτη επιλογής τάσης. Για την πρόληψη βλάβης ενός υπολογιστή με χειροκίνητο διακόπτη επιλογής τάσης, γυρίστε το διακόπτη στην τάση που συμφωνεί όσο το δυνατόν περισσότερο με την τροφοδοσία AC που είναι διαθέσιμη στην περιοχή σας.
➔ ΕΙΔΟΠΟΙΗΣΗ: Ο διακόπτης επιλογής τάσης πρέπει να ρυθμίζεται στη θέση 115-V, παρόλο που η διαθέσιμη ισχύς AC στην Ιαπωνία είναι 100 V.
Επίσης, βεβαιωθείτε ότι η οθόνη σας και οι συνδεδεμένες συσκευές είναι κατάλληλες για λειτουργία με την ισχύ AC που υπάρχει στην περιοχή σας.
- 5 κρίκος κλειδαριάς
Τοποθετήστε λουκέτο για να κλειδώσετε το κάλυμμα του υπολογιστή σας.
- 6 ασφάλεια απελευθέρωσης καλύμματος
Σας επιτρέπει να ανοίξετε το κάλυμμα του υπολογιστή σας.

Επιτραπέζιος υπολογιστής — Θύρες στο πίσω μέρος



- 1 παράλληλη θύρα**

Συνδέστε μια παράλληλη συσκευή, όπως έναν εκτυπωτή, στην παράλληλη θύρα. Αν έχετε εκτυπωτή USB, συνδέστε τον σε μια θύρα USB.

ΣΗΜΕΙΩΣΗ: Η ενσωματωμένη παράλληλη θύρα απενεργοποιείται αυτόματα αν ο υπολογιστής ανιχνεύσει εγκατεστημένη κάρτα με παράλληλη θύρα ρυθμισμένη στην ίδια διεύθυνση. Για περισσότερες πληροφορίες, ανατρέξτε στον online *Οδηγό χρήσης*.
- 2 λυχνία ακεραιότητας σύνδεσης**
 - Πράσινη — Υπάρχει καλή σύνδεση μεταξύ ενός δικτύου 10-Mbps και του υπολογιστή.
 - Πορτοκαλί — Υπάρχει καλή σύνδεση μεταξύ ενός δικτύου 100-Mbps και του υπολογιστή.
 - Κίτρινη — Υπάρχει καλή σύνδεση μεταξύ ενός δικτύου 1-Gbps (ή 1000-Mbps) και του υπολογιστή.
 - Σβηστή — Ο υπολογιστής δεν ανιχνεύει φυσική σύνδεση με το δίκτυο.
- 3 θύρα κάρτας δικτύου**

Για να συνδέσετε το υπολογιστή σε ένα δίκτυο ή σε ευρυζωνική συσκευή, συνδέστε τη μία άκρη ενός καλωδίου δικτύου είτε στην υποδοχή δικτύου είτε στη δικτυακή ή ευρυζωνική συσκευή σας. Συνδέστε την άλλη άκρη του καλωδίου δικτύου στην κάρτα δικτύου στο πίσω μέρος του υπολογιστή σας. Ένα κλικ δείχνει ότι το καλώδιο δικτύου συνδέθηκε με ασφάλεια.

ΣΗΜΕΙΩΣΗ: Μην συνδέετε τηλεφωνικό καλώδιο στη θύρα δικτύου.

Σε υπολογιστές με κάρτα δικτύου, χρησιμοποιείτε τη θύρα της κάρτας.

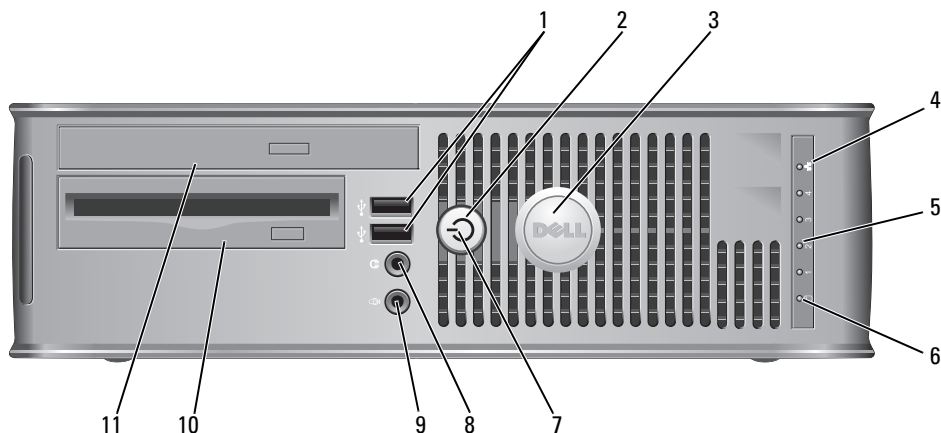
Συνιστάται να χρησιμοποιείτε καλώδια και θύρες κατηγορίας 5 για το δίκτυό σας. Αν είστε αναγκασμένοι να χρησιμοποιήσετε κατηγορία καλωδίων 3, ρυθμίστε το δίκτυο σε ταχύτητα 10 Mbps για να εξασφαλίσετε αξιόπιστη λειτουργία.
- 4 λυχνία λειτουργίας δικτύου**

Αναβοσβήνει κίτρινη όταν ο υπολογιστής στέλνει ή λαμβάνει δεδομένα δικτύου. Μεγάλος όγκος κίνησης δικτύου μπορεί να κάνει αυτή τη λυχνία να φαίνεται ότι είναι σταθερά αναμμένη.
- 5 θύρα line-out**



Χρησιμοποιήστε την πράσινη θύρα line-out για να συνδέσετε τα περισσότερα ηχεία με ενσωματωμένο ενισχυτή.

- 6 θύρα line-in/μικροφώνου Χρησιμοποιήστε την μπλε και ροζ θύρα line-in/μικροφώνου για να συνδέσετε μια συσκευή εγγραφής/αναπαραγωγής, όπως ένα κασετόφωνο, ένα CD player ή βίντεο, ή ένα μικρόφωνο υπολογιστή για φωνή ή μουσική εγγραφή σε ένα πρόγραμμα ήχου ή τηλεφωνίας.
- 7 θύρες USB 2.0 (6) Χρησιμοποιείτε τις θύρες USB του πίσω μέρους για συσκευές που παραμένουν συνήθως συνδεδεμένες, όπως εκτυπωτές και πληκτρολόγια.
- 8 θύρα βίντεο Συνδέστε το καλώδιο από τη συμβατή με VGA οθόνη σας στη μπλε θύρα.
ΣΗΜΕΙΩΣΗ: Αν αγοράσατε έξτρα κάρτα γραφικών, αυτή η θύρα θα κλείσει με ένα κάλυμμα. Συνδέστε την οθόνη σας στη θύρα της κάρτας γραφικών. Μην αφαιρείτε το κάλυμμα.
ΣΗΜΕΙΩΣΗ: Αν χρησιμοποιείτε κάρτα γραφικών που υποστηρίζει διπλές οθόνες, χρησιμοποιήστε το καλώδιο γ που συνδέει τον υπολογιστή σας.
- 9 σειριακή θύρα Συνδέστε μια σειριακή συσκευή, όπως κάποια συσκευή χειρός, στη σειριακή θύρα. Οι προεπιλεγμένες αντιστοιχίσεις είναι COM1 για σειριακή θύρα 1 και COM2 για σειριακή θύρα 2.
Για περισσότερες πληροφορίες, δείτε τον online *Οδηγό χρήσης*.

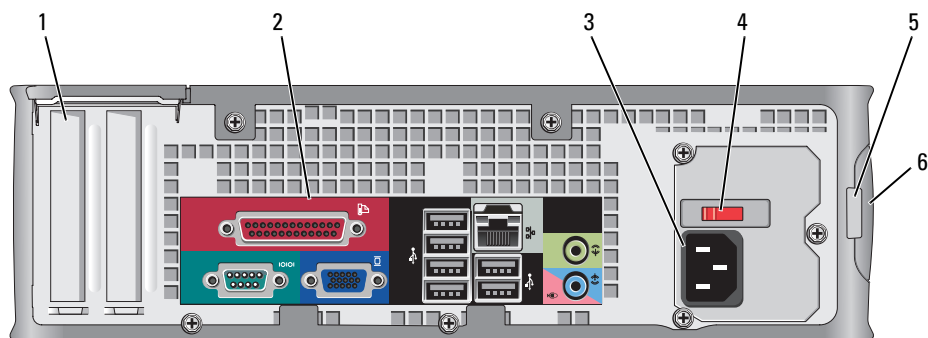
Μικρός υπολογιστής (SFF) — Μπροστινή όψη



- 1 θύρες USB 2.0 (2) Χρησιμοποιείτε τις θύρες USB για συσκευές που συνδέετε περιστασιακά, όπως χειριστήρια joystick ή κάμερες, ή για ανεξάρτητες συσκευές USB (ανατρέξτε στον online *Οδηγό χρήσης* για περισσότερες πληροφορίες σχετικά με την εκκίνηση από μια συσκευή USB).
Συνιστάται να χρησιμοποιείτε θύρες USB του πίσω μέρους για συσκευές που παραμένουν συνήθως συνδεδεμένες, όπως εκτυπωτές και πληκτρολόγια.

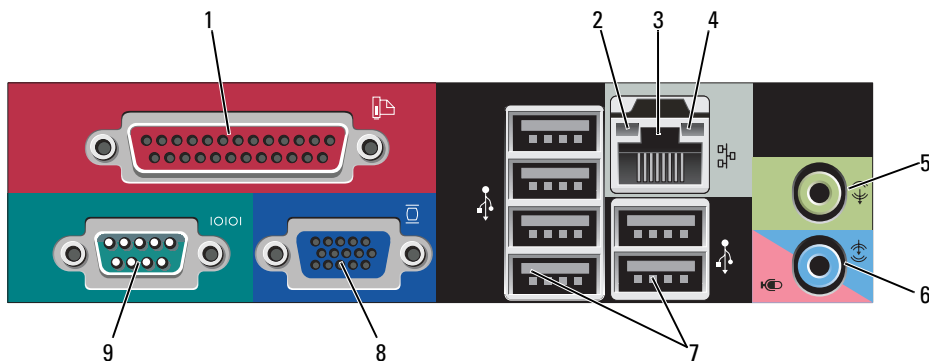
- 2 κουμπί λειτουργίας Πατήστε για να ανοίξετε τον υπολογιστή.
-  **ΕΙΔΟΠΟΙΗΣΗ:** Για να αποφύγετε την απώλεια δεδομένων, μην σβήνετε τον υπολογιστή σας πατώντας το κουμπί λειτουργίας. Αντί γι αυτό, σβήστε τον υπολογιστή μέσω του λειτουργικού συστήματος. Για περισσότερες πληροφορίες δείτε «Πριν ξεκινήσετε» στη σελίδα 208.
-  **ΕΙΔΟΠΟΙΗΣΗ:** Αν το λειτουργικό σας σύστημα υποστηρίζει ACPI, όταν πατάτε το κουμπί λειτουργίας ο υπολογιστής θα σβήνει μέσω του λειτουργικού συστήματος.
- 3 σήμα της Dell Μπορεί να περιστραφεί ανάλογα με τον προσανατολισμό του υπολογιστή σας. Για να το περιστρέψετε, τοποθετήστε τα δάκτυλά σας γύρω από το εξωτερικό του σήματος, πιέστε ελαφρώς και γυρίστε το. Μπορείτε επίσης να το περιστρέψετε χρησιμοποιώντας τη σχισμή που υπάρχει κοντά στο κάτω μέρος του σήματος.
- 4 ενδεικτική λυχνία LAN Δείχνει ότι έχει γίνει σύνδεση LAN (τοπικό δίκτυο).
- 5 διαγνωστικές λυχνίες Με τη βοήθεια των λυχνιών μπορείτε να επιλύσετε κάποιο πρόβλημα του υπολογιστή σας βάσει του κωδικού διάγνωσης. Για περισσότερες πληροφορίες, δείτε «Διαγνωστικές λυχνίες» στη σελίδα 234.
- 6 λυχνία λειτουργίας σκληρού δίσκου Η λυχνία αυτή αναβοσβήνει όταν χρησιμοποιείται ο σκληρός δίσκος.
- 7 λυχνία ένδειξης τροφοδοσίας Η λυχνία ανάβει και αναβοσβήνει ή μένει σταθερή, υποδεικνύοντας διάφορες καταστάσεις λειτουργίας:
- Σβηστή — Ο υπολογιστής είναι σβηστός.
 - Σταθερή πράσινη — Ο υπολογιστής βρίσκεται σε κανονική λειτουργική κατάσταση.
 - Αναβοσβήνει πράσινη — Ο υπολογιστής βρίσκεται σε λειτουργία εξοικονόμησης ενέργειας.
 - Αναβοσβήνει ή σταθερή πορτοκαλί — Ανατρέξτε στον online *Οδηγό χρήσης*.
- Για έξοδο από μια κατάσταση εξοικονόμησης ενέργειας, πατήστε το κουμπί λειτουργίας ή χρησιμοποιήστε το πληκτρολόγιο ή το ποντίκι, εφόσον αυτά είναι ρυθμισμένα ως «συσκευές αφύπνισης» στη Διαχείριση Συσκευών των Windows. Για περισσότερες πληροφορίες σχετικά με τις καταστάσεις αδράνειας και την έξοδο από τη λειτουργία εξοικονόμησης ενέργειας, ανατρέξτε στον online *Οδηγό χρήσης*.
- Ανατρέξτε στην ενότητα «Λυχνίες συστήματος» στη σελίδα 232 για μια περιγραφή των κωδικών λυχνιών που μπορεί να σας βοηθήσουν στην επίλυση προβλημάτων του υπολογιστή σας.
- 8 θύρα ακουστικών Χρησιμοποιήστε τη θύρα ακουστικών για να συνδέσετε ακουστικά και τα περισσότερα ήδη ηχείων.
- 9 θύρα μικροφώνου Χρησιμοποιήστε τη θύρα μικροφώνου για να συνδέσετε ένα μικρόφωνο.
- 10 φατνίο μονάδας δίσκου 3,5 ιντσών Μπορεί να περιέχει προαιρετική μονάδα δισκέτας ή προαιρετική συσκευή ανάγνωσης καρτών.
- 11 φατνίο μονάδας δίσκου 5,25 ιντσών Μπορεί να περιέχει μονάδα οπτικών δίσκων. Στη μονάδα αυτή μπορείτε να τοποθετείτε CD ή DVD (αναλόγως).

Μικρός υπολογιστής (SFF) — Πίσω όψη



- 1 υποδοχές καρτών
Μπορείτε να έχετε πρόσβαση στις θύρες για όλες τις εγκατεστημένες κάρτες PCI και PCI Express.
- 2 θύρες πίσω πλευράς
Συνδέστε τις σειριακές, USB και άλλες συσκευές στις αντίστοιχες θύρες (δείτε «Μικρός υπολογιστής (SFF) — Θύρες στο πίσω μέρος» στη σελίδα 203).
- 3 θύρα ισχύος
Συνδέστε το καλώδιο τροφοδοσίας.
- 4 διακόπτης επιλογής τάσης
Ο υπολογιστής σας είναι εξοπλισμένος με ένα χειροκίνητο διακόπτη επιλογής τάσης. Για την πρόληψη βλάβης ενός υπολογιστή με χειροκίνητο διακόπτη επιλογής τάσης, γυρίστε το διακόπτη στην τάση που συμφωνεί όσο το δυνατόν περισσότερο με την τροφοδοσία AC που είναι διαθέσιμη στην περιοχή σας.
➔ ΕΙΔΟΠΟΙΗΣΗ: Ο διακόπτης επιλογής τάσης πρέπει να ρυθμίζεται στη θέση 115-V, παρόλο που η διαθέσιμη ισχύς AC στην Ιαπωνία είναι 100 V.
Επίσης, βεβαιωθείτε ότι η οθόνη σας και οι συνδεδεμένες συσκευές είναι κατάλληλες για λειτουργία με την ισχύ AC που υπάρχει στην περιοχή σας.
- 5 κρίκος κλειδαριάς
Τοποθετήστε λουκέτο για να κλειδώσετε το κάλυμμα του υπολογιστή σας.
- 6 ασφάλεια απελευθέρωσης καλύμματος
Σας επιτρέπει να ανοίξετε το κάλυμμα του υπολογιστή σας.

Μικρός υπολογιστής (SFF) — Θύρες στο πίσω μέρος



- 1 παράλληλη θύρα

Συνδέστε μια παράλληλη συσκευή, όπως έναν εκτυπωτή, στην παράλληλη θύρα. Αν έχετε εκτυπωτή USB, συνδέστε τον σε μια θύρα USB.

ΣΗΜΕΙΩΣΗ: Η ενσωματωμένη παράλληλη θύρα απενεργοποιείται αυτόματα αν ο υπολογιστής ανιχνεύσει εγκατεστημένη κάρτα με παράλληλη θύρα ρυθμισμένη στην ίδια διεύθυνση. Για περισσότερες πληροφορίες, ανατρέξτε στον online *Οδηγό χρήσης*.
- 2 λυχνία ακεραιότητας σύνδεσης

 - Πράσινη — Υπάρχει καλή σύνδεση μεταξύ ενός δικτύου 10-Mbps και του υπολογιστή.
 - Πορτοκαλί — Υπάρχει καλή σύνδεση μεταξύ ενός δικτύου 100-Mbps και του υπολογιστή.
 - Κίτρινη — Υπάρχει καλή σύνδεση μεταξύ ενός δικτύου 1-Gbps (ή 1000-Mbps) και του υπολογιστή.
 - Σβηστή — Ο υπολογιστής δεν ανιχνεύει φυσική σύνδεση με το δίκτυο.
- 3 θύρα κάρτας δικτύου

Για να συνδέσετε το υπολογιστή σε ένα δίκτυο ή σε ευρυζωνική συσκευή, συνδέστε τη μία άκρη ενός καλωδίου δικτύου είτε στην υποδοχή δικτύου είτε στη δικτυακή ή ευρυζωνική συσκευή σας. Συνδέστε την άλλη άκρη του καλωδίου δικτύου στην κάρτα δικτύου στο πίσω μέρος του υπολογιστή σας. Ένα κλικ δείχνει ότι το καλώδιο δικτύου συνδέθηκε με ασφάλεια.

ΣΗΜΕΙΩΣΗ: Μην συνδέετε τηλεφωνικό καλώδιο στη θύρα δικτύου.

Σε υπολογιστές με κάρτα δικτύου, χρησιμοποιείτε τη θύρα της κάρτας.

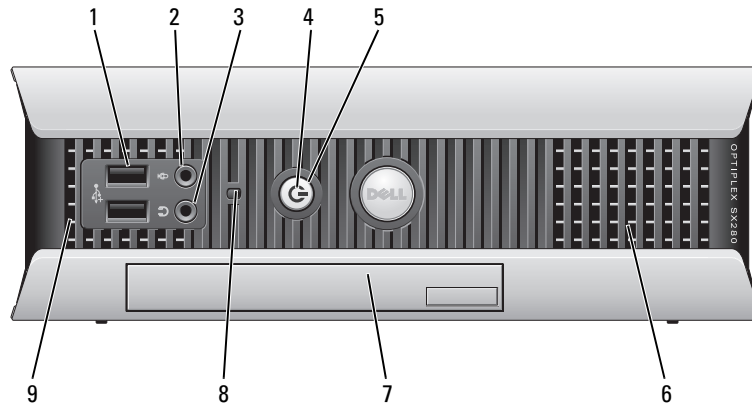
Συνιστάται να χρησιμοποιείτε καλώδια και θύρες κατηγορίας 5 για το δίκτυό σας. Αν είστε αναγκασμένοι να χρησιμοποιήσετε κατηγορία καλωδίων 3, ρυθμίστε το δίκτυο σε ταχύτητα 10 Mbps για να εξασφαλίσετε αξιόπιστη λειτουργία.
- 4 λυχνία λειτουργίας δικτύου

Αναβοσβήνει κίτρινη όταν ο υπολογιστής στέλνει ή λαμβάνει δεδομένα δικτύου. Μεγάλος όγκος κίνησης δικτύου μπορεί να κάνει αυτή τη λυχνία να φαίνεται ότι είναι σταθερά αναμμένη.
- 5 θύρα line-out


Χρησιμοποιήστε την πράσινη θύρα line-out (διαθέσιμη σε υπολογιστές με ενσωματωμένο ήχο) για να συνδέσετε τα περισσότερα ηχεία με ενσωματωμένο ενισχυτή.

- 6 θύρα line-in/μικροφώνου Χρησιμοποιήστε την μπλε και ροζ θύρα line-in/μικροφώνου (διαθέσιμη σε υπολογιστές με ενσωματωμένο ήχο) για να συνδέσετε μια συσκευή εγγραφής/αναπαραγωγής, όπως ένα κασετόφωνο, ένα CD player ή βίντεο, ή ένα μικρόφωνο υπολογιστή για φωνή ή μουσική εγγραφή σε ένα πρόγραμμα ήχου ή τηλεφωνίας.
- 7 θύρες USB 2.0 (6) Χρησιμοποιείτε τις θύρες USB του πίσω μέρους για συσκευές που παραμένουν συνήθως συνδεδεμένες, όπως εκτυπωτές και πληκτρολόγια.
- 8 θύρα βίντεο Συνδέστε το καλώδιο από τη συμβατή με VGA οθόνη σας στη μπλε θύρα.
ΣΗΜΕΙΩΣΗ: Αν αγοράσατε έξτρα κάρτα γραφικών, αυτή η θύρα θα κλείσει με ένα κάλυμμα. Συνδέστε την οθόνη σας στη θύρα της κάρτας γραφικών. Μην αφαιρείτε το κάλυμμα.
ΣΗΜΕΙΩΣΗ: Αν χρησιμοποιείτε κάρτα γραφικών που υποστηρίζει διπλές οθόνες, χρησιμοποιήστε το καλώδιο y που συνοδεύει τον υπολογιστή σας.
- 9 σειριακή θύρα Συνδέστε μια σειριακή συσκευή, όπως κάποια συσκευή χειρός, στη σειριακή θύρα. Οι προεπιλεγμένες αντιστοιχίσεις είναι COM1 για σειριακή θύρα 1 και COM2 για σειριακή θύρα 2.
 Για περισσότερες πληροφορίες, δείτε τον online *Οδηγό χρήσης*.

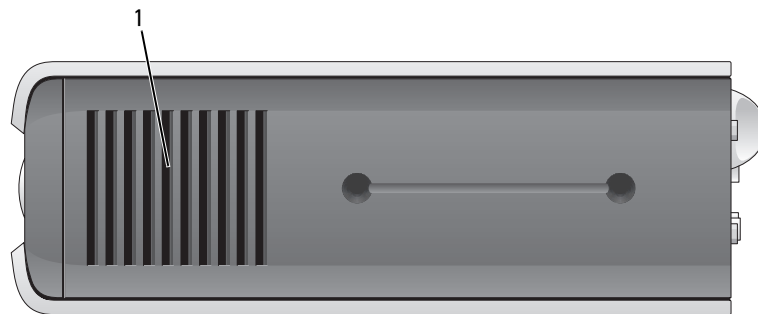
Εξαιρετικά μικρός υπολογιστής — Μπροστινή όψη



- 1 θύρες USB (2) Χρησιμοποιείτε τις θύρες USB για συσκευές που συνδέετε περιστασιακά, όπως χειριστήρια joystick ή κάμερες, ή για ανεξάρτητες συσκευές USB (ανατρέξτε στον online *Οδηγό χρήσης* για περισσότερες πληροφορίες σχετικά με την εκκίνηση από μια συσκευή USB).
 Συνιστάται να χρησιμοποιείτε θύρες USB του πίσω μέρους για συσκευές που παραμένουν συνήθως συνδεδεμένες, όπως εκτυπωτές και πληκτρολόγια.
- 2 θύρα ακουστικών Χρησιμοποιήστε τη θύρα ακουστικών για να συνδέσετε ακουστικά και τα περισσότερα ήδη ηχείων.
- 3 θύρα μικροφώνου Χρησιμοποιήστε τη θύρα μικροφώνου για να συνδέσετε ένα μικρόφωνο.

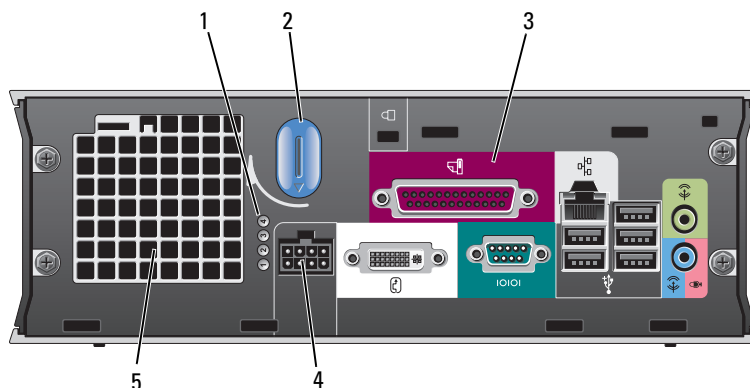
- 4 λυχνία ένδειξης τροφοδοσίας
- Η λυχνία ανάβει και αναβοσβήνει ή μένει σταθερή, υποδεικνύοντας διάφορες καταστάσεις λειτουργίας:
- Σβηστή — Ο υπολογιστής είναι σβηστός.
 - Σταθερή πράσινη — Ο υπολογιστής βρίσκεται σε κανονική λειτουργική κατάσταση.
 - Αναβοσβήνει πράσινη — Ο υπολογιστής βρίσκεται σε λειτουργία εξοικονόμησης ενέργειας.
 - Αναβοσβήνει ή σταθερή κίτρινη — Ανατρέξτε στον online *Οδηγό χρήσης*.
- Για έξοδο από μια κατάσταση εξοικονόμησης ενέργειας, πατήστε το κουμπί λειτουργίας ή χρησιμοποιήστε το πληκτρολόγιο ή το ποντίκι, εφόσον αυτά είναι ρυθμισμένα ως «συσκευές αφύπνισης» στη Διαχείριση Συσκευών των Windows. Για περισσότερες πληροφορίες σχετικά με τις καταστάσεις αδράνειας και την έξοδο από τη λειτουργία εξοικονόμησης ενέργειας, ανατρέξτε στον online *Οδηγό χρήσης*.
- Ανατρέξτε στην ενότητα «Λυχνίες συστήματος» στη σελίδα 232 για μια περιγραφή των κωδικών λυχνιών που μπορεί να σας βοηθήσουν στην επίλυση προβλημάτων του υπολογιστή σας.
- 5 κουμπί λειτουργίας
- Πατήστε αυτό το κουμπί για να ενεργοποιήσετε τον υπολογιστή.
-  **ΕΙΔΟΠΟΙΗΣΗ:** Για να αποφύγετε την απώλεια δεδομένων, μην σβήνετε τον υπολογιστή σας πατώντας το κουμπί λειτουργίας. Αντί γι αυτό, σβήστε τον υπολογιστή μέσω του λειτουργικού συστήματος. Για περισσότερες πληροφορίες δείτε «Πριν ξεκινήσετε» στη σελίδα 208.
- 6 θυρίδες εξαερισμού
- Οι ανεμιστήρες προστατεύουν τον υπολογιστή σας από υπερθέρμανση. Για να εξασφαλίσετε σωστό εξαερισμό, μην καλύπτετε αυτές τις θυρίδες ψύξης.
- 7 τμήμα μονάδας
- Τοποθετήστε μια μονάδα οπτικών δίσκων D, δεύτερο σκληρό δίσκο ή μονάδα δισκέτας στο φατνίο.
- 8 λυχνία πρόσβασης σκληρού δίσκου
- Η λυχνία πρόσβασης σκληρού δίσκου ανάβει όταν ο υπολογιστής διαβάζει ή γράφει δεδομένα στο σκληρό σας δίσκο. Η λυχνία μπορεί επίσης να ανάβει όταν λειτουργούν συσκευές όπως η μονάδα CD σας.
- 9 θυρίδες εξαερισμού
- Οι ανεμιστήρες προστατεύουν τον υπολογιστή σας από υπερθέρμανση. Για να εξασφαλίσετε σωστό εξαερισμό, μην καλύπτετε αυτές τις θυρίδες ψύξης.

Εξαιρετικά μικρός υπολογιστής — Πλαϊνή όψη



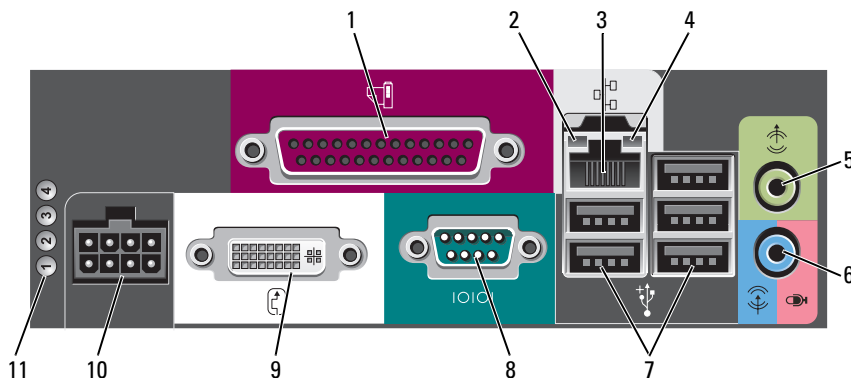
- 1 θυρίδες εξαερισμού
- Οι ανεμιστήρες που βρίσκονται στα πλαϊνά του υπολογιστή προστατεύουν τον υπολογιστή σας από υπερθέρμανση. Για να εξασφαλίσετε σωστό εξαερισμό, μην καλύπτετε αυτές τις θυρίδες ψύξης.

Εξαιρετικά μικρός υπολογιστής — Πίσω όψη



- 1 διαγνωστικές λυχνίες
- Ανατρέξτε στην ενότητα «Διαγνωστικές λυχνίες» στη σελίδα 234 για μια περιγραφή των κωδικών λυχνιών που μπορεί να σας βοηθήσουν στην επίλυση προβλημάτων του υπολογιστή σας.
- 2 κουμπί απελευθέρωσης καλύμματος υπολογιστή
- Γυρίστε αυτό το κουμπί δεξιόστροφα για να αφαιρέσετε το κάλυμμα.
- 3 θύρες πίσω πλευράς
- Οι θύρες για τον υπολογιστή σας (δείτε «Εξαιρετικά μικρός υπολογιστής — Θύρες στο πίσω μέρος» στη σελίδα 207).
- 4 θύρα ισχύος
- Συνδέστε το καλώδιο τροφοδοσίας.
- 5 θυρίδες εξαερισμού
- Οι ανεμιστήρες προστατεύουν τον υπολογιστή σας από υπερθέρμανση. Για να εξασφαλίσετε σωστό εξαερισμό, μην καλύπτετε αυτές τις θυρίδες ψύξης.

Εξαιρετικά μικρός υπολογιστής — Θύρες στο πίσω μέρος



- 1 παράλληλη θύρα**

Συνδέστε μια παράλληλη συσκευή, όπως έναν εκτυπωτή, στην παράλληλη θύρα. Αν έχετε εκτυπωτή USB, συνδέστε τον σε μια θύρα USB.
- 2 λυχνία ακεραιότητας σύνδεσης**
 - Πράσινη — Υπάρχει καλή σύνδεση μεταξύ ενός δικτύου 10-Mbps και του υπολογιστή.
 - Πορτοκαλί — Υπάρχει καλή σύνδεση μεταξύ ενός δικτύου 100-Mbps και του υπολογιστή.
 - Κίτρινη — Υπάρχει καλή σύνδεση μεταξύ ενός δικτύου 1000-Mbps (1-Gbps) και του υπολογιστή.
 - Σβηστή — Ο υπολογιστής δεν ανιχνεύει φυσική σύνδεση με το δίκτυο ή ο ελεγκτής δικτύου είναι απενεργοποιημένος στις ρυθμίσεις του συστήματος.
- 3 κάρτα δικτύου**

Για να συνδέσετε το υπολογιστή σε ένα δίκτυο ή σε ευρυζωνική συσκευή, συνδέστε τη μία άκρη ενός καλωδίου δικτύου είτε στην υποδοχή δικτύου είτε στη δικτυακή ή ευρυζωνική συσκευή σας. Συνδέστε την άλλη άκρη του καλωδίου δικτύου στην κάρτα δικτύου στο πίσω μέρος του υπολογιστή σας. Ένα κλικ δείχνει ότι το καλώδιο δικτύου συνδέθηκε με ασφάλεια.

ΣΗΜΕΙΩΣΗ: Μην συνδέετε τηλεφωνικό καλώδιο στη θύρα δικτύου.

Σε υπολογιστές με κάρτα δικτύου, χρησιμοποιείτε τη θύρα της κάρτας.

Συνιστάται να χρησιμοποιείτε καλώδια και θύρες κατηγορίας 5 για το δίκτυό σας. Αν είστε αναγκασμένοι να χρησιμοποιήσετε κατηγορία καλωδίων 3, ρυθμίστε το δίκτυο σε ταχύτητα 10 Mbps για να εξασφαλίσετε αξιόπιστη λειτουργία.
- 4 λυχνία λειτουργίας δικτύου**

Η πορτοκαλί λυχνία αναβοσβήνει όταν ο υπολογιστής μεταδίδει ή λαμβάνει δεδομένα δικτύου. Μεγάλος όγκος κίνησης δικτύου μπορεί να κάνει αυτή τη λυχνία να φαίνεται ότι είναι σταθερά αναμμένη.
- 5 θύρα line-out**

Χρησιμοποιήστε την πράσινη θύρα line-out για να συνδέσετε σετ ηχείων με ενισχυτή.
- 6 θύρα line-in/μικροφώνου**

Χρησιμοποιήστε την μπλε και ροζ θύρα line-in/μικροφώνου για να συνδέσετε μια συσκευή εγγραφής/αναπαραγωγής, όπως ένα κασετόφωνο, ένα CD player ή βίντεο, ή ένα μικρόφωνο υπολογιστή για φωνή ή μουσική εγγραφή σε ένα πρόγραμμα ήχου ή τηλεφωνίας.
- 7 Θύρες USB (5)**

Χρησιμοποιείτε τις θύρες USB του πίσω μέρους για συσκευές που παραμένουν συνήθως συνδεδεμένες, όπως εκτυπωτές και πληκτρολόγια.

- | | | |
|----|----------------------|---|
| 8 | σειριακή θύρα | Συνδέστε μια σειριακή συσκευή, όπως κάποια συσκευή χειρός, στη σειριακή θύρα. |
| 9 | θύρα βίντεο | Αν έχετε οθόνη συμβατή με DVI, συνδέστε το καλώδιο από την οθόνη σας στη λευκή θύρα στο πίσω πλαίσιο.

Αν έχετε οθόνη VGA, ανατρέξτε στην ενότητα «Σύνδεση οθόνης VGA» στον <i>Οδηγό χρήσης</i> . |
| 10 | θύρα ισχύος | Η θύρα για τον προσαρμογέα τροφοδοσίας. |
| 11 | διαγνωστικές λυχνίες | Ανατρέξτε στην ενότητα «Διαγνωστικές λυχνίες» στη σελίδα 234 για μια περιγραφή των κωδικών λυχνιών που μπορεί να σας βοηθήσουν στην επίλυση προβλημάτων του υπολογιστή σας. |

Αφαίρεση του καλύμματος του υπολογιστή



ΠΡΟΣΟΧΗ: Πριν ξεκινήσετε οποιαδήποτε από τις διαδικασίες που αναφέρονται σε αυτή την ενότητα, ακολουθήστε τις οδηγίες ασφαλείας που βρίσκονται στον *Οδηγό πληροφοριών προϊόντος*.



ΠΡΟΣΟΧΗ: Για να προστατευτείτε από ηλεκτροπληξία, πριν να αφαιρέσετε το κάλυμμα του υπολογιστή σας, αποσυνδέετε τον πάντα από την πρίζα.

Πριν ξεκινήσετε



ΕΙΔΟΠΟΙΗΣΗ: Για να μην χαθούν δεδομένα, αποθηκεύστε και κλείστε όλα τα ανοιχτά αρχεία και κλείστε όλα τα ανοιχτά προγράμματα πριν σβήσετε τον υπολογιστή σας.

- 1 Κλείστε το λειτουργικό σύστημα:
 - a Αποθηκεύστε και κλείστε τυχόν ανοιχτά αρχεία, βγείτε από τυχόν ανοιχτά προγράμματα, κάντε κλικ στο κουμπί **Start** (Εναρξη) και στη συνέχεια στο **Turn Off Computer** (Σβήσιμο).
 - b Στο παράθυρο **Turn off computer** (Σβήσιμο του υπολογιστή), κάντε κλικ στο κουμπί **Turn off** (Απενεργοποίηση).
Ο υπολογιστής απενεργοποιείται και η διαδικασία τερματισμού του λειτουργικού συστήματος τελειώνει.
- 2 Βεβαιωθείτε ότι ο υπολογιστής και τυχόν συνδεδεμένες συσκευές είναι απενεργοποιημένα. Αν ο υπολογιστής σας και οι συνδεδεμένες συσκευές απενεργοποιήθηκαν αυτόματα όταν τερματίσατε το λειτουργικό σύστημα, απενεργοποιήστε τα τώρα.

Πριν την εργασία στο εσωτερικό του υπολογιστή

Οι ακόλουθες οδηγίες ασφαλείας σκοπό έχουν να συμβάλλουν στην προστασία του υπολογιστή από ενδεχόμενους κινδύνους και στην προσωπική σας ασφάλεια.




ΠΡΟΣΟΧΗ: Πριν ξεκινήσετε οποιαδήποτε από τις διαδικασίες που αναφέρονται σε αυτή την ενότητα, ακολουθήστε τις οδηγίες ασφαλείας που βρίσκονται στον *Οδηγό πληροφοριών προϊόντος*.



ΠΡΟΣΟΧΗ: Χειριστείτε τα εξαρτήματα και τις κάρτες με προσοχή. Μην ακουμπάτε τα εξαρτήματα ή τις επαφές στις κάρτες. Κρατήστε μια κάρτα από τις άκρες της ή από το μεταλλικό βραχίονα στήριξης. Κρατάτε εξαρτήματα όπως επεξεργαστές από τις άκρες τους, όχι από τις ακίδες.




ΕΙΔΟΠΟΙΗΣΗ: Μόνο εξουσιοδοτημένος τεχνικός σέρβις επιτρέπεται να κάνει επισκευές στον υπολογιστή σας. Βλάβες εξαιτίας σέρβις που δεν έχει εξουσιοδοτηθεί από την Dell δεν καλύπτονται από την εγγύησή σας.


-  **ΕΙΔΟΠΟΙΗΣΗ:** Για να αποσυνδέσετε ένα καλώδιο, τραβήξτε το από το φως και όχι από το ίδιο το καλώδιο. Ορισμένα καλώδια διαθέτουν φως με γλωσσίδες ασφάλισης. Όταν αποσυνδέετε αυτόν τον τύπο καλωδίου, πιέστε τις γλωσσίδες ασφάλισης πριν αποσυνδέσετε το καλώδιο. Καθώς τραβάτε το φως, κρατάτε το σε ευθεία, ώστε να μην λυγίσει κάποια ακίδα. Επίσης, πριν συνδέσετε ένα καλώδιο βεβαιωθείτε ότι και τα δύο φως είναι σωστά προσανατολισμένα και ευθυγραμμισμένα.

Για να αποφύγετε την πρόκληση βλαβών στον υπολογιστή, εκτελέστε τα παρακάτω βήματα πριν ξεκινήσετε τις εργασίες στο εσωτερικό του υπολογιστή σας.

- 1 Σβήστε τον υπολογιστή.


-  **ΕΙΔΟΠΟΙΗΣΗ:** Για να αποσυνδέσετε ένα καλώδιο δικτύου, βγάλτε πρώτα το καλώδιο από τον υπολογιστή σας και μετά από την επιτοίχια πρίζα δικτύου.

- 2 Αποσυνδέστε τυχόν τηλεφωνικές συσκευές ή καλώδια τηλεπικοινωνιών από τον υπολογιστή.
- 3 Αποσυνδέστε τον υπολογιστή σας και όλες τις συνδεδεμένες συσκευές από τις ηλεκτρικές πρίζες τους και πατήστε το κουμπί λειτουργίας για να γειώσετε την πλακέτα συστήματος.
- 4 Αν χρειάζεται, αφαιρέστε τη βάση του υπολογιστή (για οδηγίες, ανατρέξτε στη συνοδευτική τεκμηρίωση).


 **ΠΡΟΣΟΧΗ:** Για να προστατευτείτε από ηλεκτροπληξία, πριν να αφαιρέσετε το κάλυμμα του υπολογιστή σας, αποσυνδέετε τον πάντα από την πρίζα.


- 5 Αφαιρέστε το κάλυμμα του υπολογιστή:

- Αφαιρέστε το κάλυμμα του υπολογιστή mini tower (δείτε «Υπολογιστής Mini Tower» στη σελίδα 209).
- Αφαιρέστε το κάλυμμα του επιτραπέζιου υπολογιστή (δείτε «Επιτραπέζιος υπολογιστής» στη σελίδα 211).
- Αφαιρέστε το κάλυμμα μικρού υπολογιστή (δείτε «Μικρός υπολογιστής (SFF)» στη σελίδα 212).
- Αφαιρέστε το κάλυμμα του εξαιρετικά μικρού υπολογιστή (δείτε «Εξαιρετικά μικρός υπολογιστής» στη σελίδα 213).

-  **ΕΙΔΟΠΟΙΗΣΗ:** Πριν αγγίξετε οτιδήποτε μέσα στον υπολογιστή, γειωθείτε αγγίζοντας μια άβαφη μεταλλική επιφάνεια επάνω στο πλαίσιο, όπως το μέταλλο γύρω από τα ανοίγματα υποδοχής κάρτας στο πίσω μέρος του υπολογιστή. Την ώρα που εργάζεστε, αγγίζετε κατά τακτά χρονικά διαστήματα την άβαφη μεταλλική επιφάνεια ώστε να διώχνετε τον στατικό ηλεκτρισμό που μπορεί να προκαλέσει βλάβη στα εσωτερικά εξαρτήματα.

Υπολογιστής Mini Tower

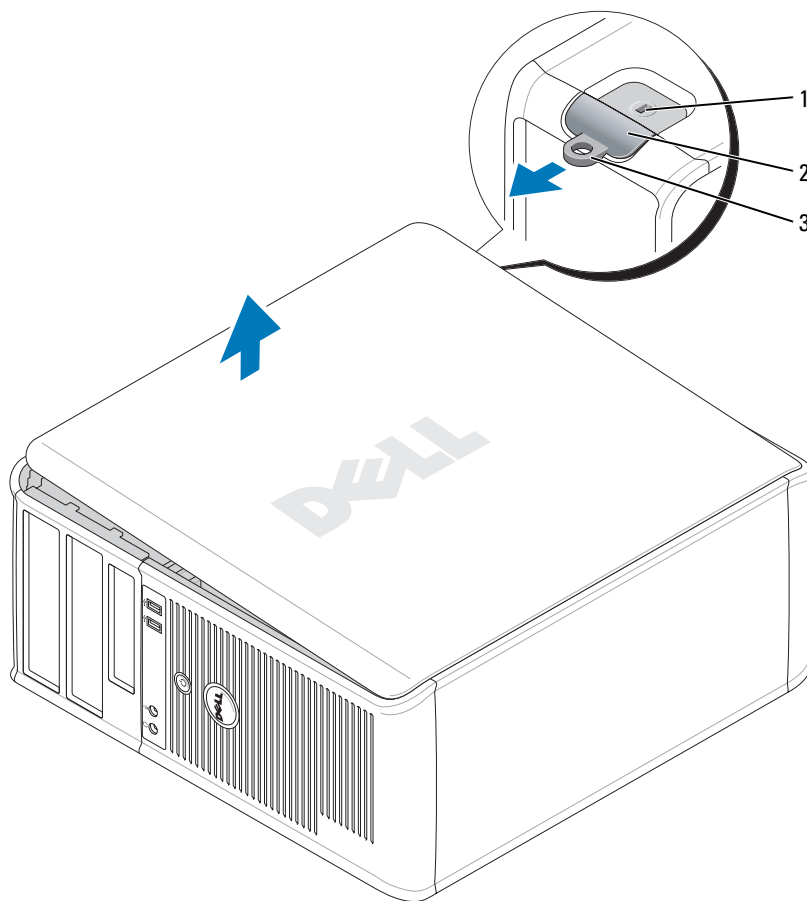
 **ΠΡΟΣΟΧΗ:** Πριν ξεκινήσετε οποιαδήποτε από τις διαδικασίες που αναφέρονται σε αυτή την ενότητα, ακολουθήστε τις οδηγίες ασφαλείας που βρίσκονται στον *Οδηγό πληροφοριών προϊόντος*.

 **ΠΡΟΣΟΧΗ:** Για προστασία από ηλεκτροπληξία, αποσυνδέετε πάντα τον υπολογιστή σας από την ηλεκτρική πρίζα πριν αφαιρέσετε το κάλυμμα του υπολογιστή.

- 1 Ακολουθήστε τις διαδικασίες στην ενότητα «Πριν ξεκινήσετε» στη σελίδα 208.
- 2 Ξαπλώστε τον υπολογιστή στο πλάι, όπως φαίνεται στην εικόνα.
- 3 Βρείτε την ασφάλεια απελευθέρωσης καλύμματος που εμφανίζεται στην εικόνα. Στη συνέχεια, γλιστρήστε την ασφάλεια απελευθέρωσης καλύμματος καθώς σηκώνετε το κάλυμμα.

- 4 Πιάστε τα πλαϊνά του καλύμματος του υπολογιστή και σηκώστε τα χρησιμοποιώντας τις προεξοχές ως σημείο μόχλευσης.
- 5 Αφαιρέστε το κάλυμμα από τα σημεία σύνδεσης και βάλτε το στην άκρη σε μια μαλακή και ομαλή επιφάνεια.

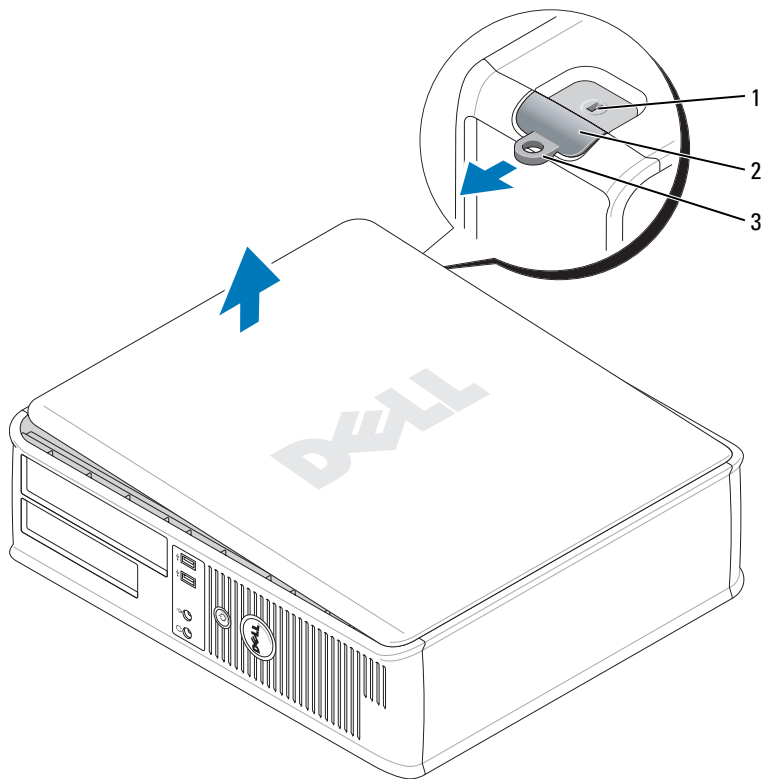
! ΠΡΟΣΟΧΗ: Οι ψύκτρες της γραφικής κάρτας μπορεί να υπερθερμανθούν κατά τη διάρκεια της κανονικής λειτουργίας. Βεβαιωθείτε ότι η ψύκτρα της γραφικής κάρτας έχει κρυώσει πριν την αγγίξετε.



1 υποδοχή καλωδίου ασφαλείας 2 ασφάλεια απελευθέρωσης καλύμματος 3 κρίκος κλειδαριάς

Επιτραπέζιος υπολογιστής

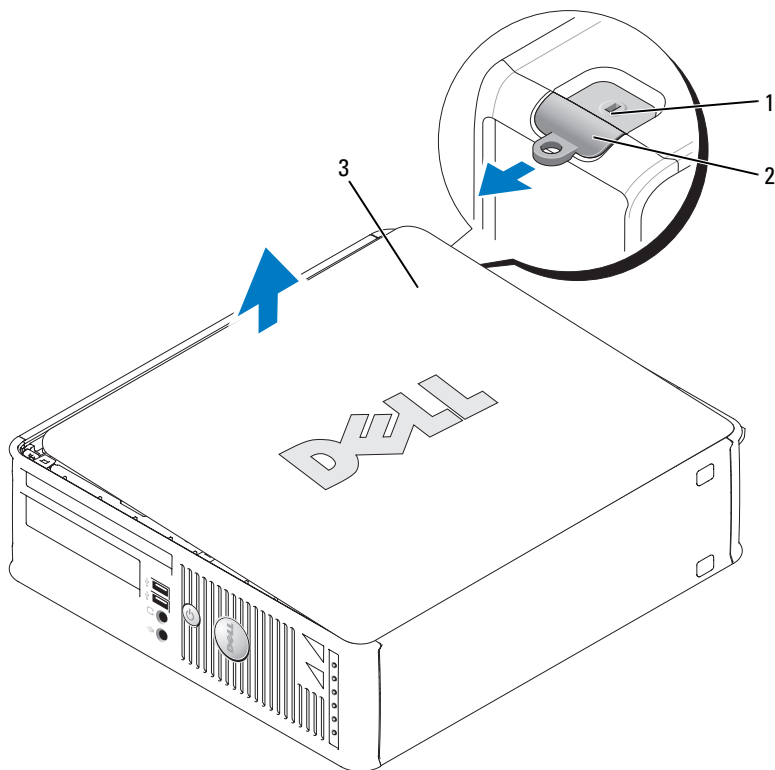
- !** **ΠΡΟΣΟΧΗ:** Πριν ξεκινήσετε οποιαδήποτε από τις διαδικασίες που αναφέρονται σε αυτή την ενότητα, ακολουθήστε τις οδηγίες ασφαλείας που βρίσκονται στον *Οδηγό πληροφοριών προϊόντος*.
- !** **ΠΡΟΣΟΧΗ:** Για προστασία από ηλεκτροπληξία, αποσυνδέετε πάντα τον υπολογιστή σας από την ηλεκτρική πρίζα πριν αφαιρέσετε το κάλυμμα του υπολογιστή.
- 1 Ακολουθήστε τις διαδικασίες στην ενότητα «Πριν ξεκινήσετε» στη σελίδα 208.
 - 2 Αν έχετε περάσει λουκέτο στον κρίκο λουκέτου στο πίσω πλαίσιο, αφαιρέστε το.
 - 3 Βρείτε την ασφάλεια απελευθέρωσης καλύμματος που εμφανίζεται στην εικόνα. Στη συνέχεια, γλιστρήστε την ασφάλεια απελευθέρωσης καλύμματος καθώς σηκώνετε το κάλυμμα.
 - 4 Πιάστε τα πλαϊνά του καλύμματος του υπολογιστή και σηκώστε τα χρησιμοποιώντας τις προεξοχές ως σημείο μόχλευσης.
 - 5 Αφαιρέστε το κάλυμμα από τα σημεία σύνδεσης και βάλτε το στην άκρη σε μια μαλακή και ομαλή επιφάνεια.
- !** **ΠΡΟΣΟΧΗ:** Οι ψύκτρες της γραφικής κάρτας μπορεί να υπερθερμανθούν κατά τη διάρκεια της κανονικής λειτουργίας. Βεβαιωθείτε ότι η ψύκτρα της γραφικής κάρτας έχει κρυώσει πριν την αγγίξετε.



1 υποδοχή καλωδίου ασφαλείας 2 ασφάλεια απελευθέρωσης καλύμματος 3 κρίκος κλειδαριάς

Μικρός υπολογιστής (SFF)

- !** ΠΡΟΣΟΧΗ: Πριν ξεκινήσετε οποιαδήποτε από τις διαδικασίες που αναφέρονται σε αυτή την ενότητα, ακολουθήστε τις οδηγίες ασφαλείας που βρίσκονται στον *Οδηγό πληροφοριών προϊόντος*.
- !** ΠΡΟΣΟΧΗ: Για προστασία από ηλεκτροπληξία, αποσυνδέετε πάντα τον υπολογιστή σας από την ηλεκτρική πρίζα πριν αφαιρέσετε το κάλυμμα του υπολογιστή.
- 1 Ακολουθήστε τις διαδικασίες στην ενότητα «Πριν ξεκινήσετε» στη σελίδα 208.
 - 2 Αν έχετε περάσει λουκέτο στον κρίκο λουκέτου στο πίσω πλαίσιο, αφαιρέστε το.
 - 3 Βρείτε την ασφάλεια απελευθέρωσης καλύμματος που εμφανίζεται στην εικόνα. Στη συνέχεια, γλιστρήστε την ασφάλεια απελευθέρωσης καλύμματος καθώς σηκώνετε το κάλυμμα.
 - 4 Πιάστε τα πλαϊνά του καλύμματος του υπολογιστή και σηκώστε το κάλυμμα προς τα επάνω χρησιμοποιώντας τους κάτω μεντεσέδες ως σημείο μόχλευσης.
 - 5 Αφαιρέστε το κάλυμμα από τα σημεία σύνδεσης και βάλτε το στην άκρη σε μια μαλακή και ομαλή επιφάνεια.
- !** ΠΡΟΣΟΧΗ: Οι ψύκτρες της γραφικής κάρτας μπορεί να υπερθερμανθούν κατά τη διάρκεια της κανονικής λειτουργίας. Βεβαιωθείτε ότι η ψύκτρα της γραφικής κάρτας έχει κρυώσει πριν την αγγίξετε.



1 υποδοχή καλωδίου ασφαλείας 2 ασφάλεια απελευθέρωσης καλύμματος 3 κάλυμμα υπολογιστή

Εξαιρετικά μικρός υπολογιστής

! ΠΡΟΣΟΧΗ: Πριν ξεκινήσετε οποιαδήποτε από τις διαδικασίες που αναφέρονται σε αυτή την ενότητα, ακολουθήστε τις οδηγίες ασφαλείας που βρίσκονται στον *Οδηγό πληροφοριών προϊόντος*.

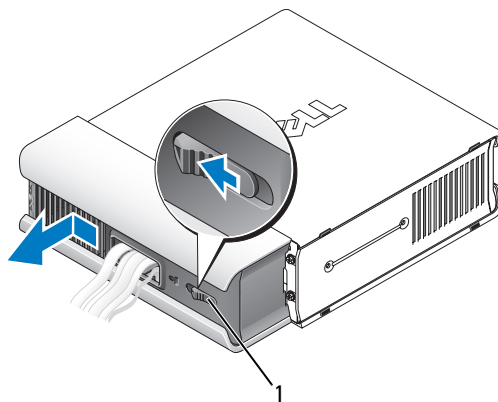
! ΠΡΟΣΟΧΗ: Για προστασία από ηλεκτροπληξία, αποσυνδέετε πάντα τον υπολογιστή σας από την ηλεκτρική πρίζα πριν αφαιρέσετε το κάλυμμα του υπολογιστή.

1 Ακολουθήστε τις διαδικασίες στην ενότητα «Πριν ξεκινήσετε» στη σελίδα 208.

➔ **ΕΙΔΟΠΟΙΗΣΗ:** Πριν αγγίξετε οτιδήποτε στο εσωτερικό του υπολογιστή σας, γειωθείτε αγγίζοντας μια άβαφη μεταλλική επιφάνεια. Την ώρα που εργάζεστε, αγγίζετε κατά τακτά χρονικά διαστήματα την άβαφη μεταλλική επιφάνεια ώστε να διώχνετε τον στατικό ηλεκτρισμό που μπορεί να προκαλέσει βλάβη στα εσωτερικά εξαρτήματα.

2 Αν χρειάζεται, αφαιρέστε το κάλυμμα του καλωδίου.

a Αν είναι τοποθετημένη μια συσκευή ασφαλείας στην υποδοχή καλωδίου ασφαλείας, αφαιρέστε την.



1 κουμπί απελευθέρωσης

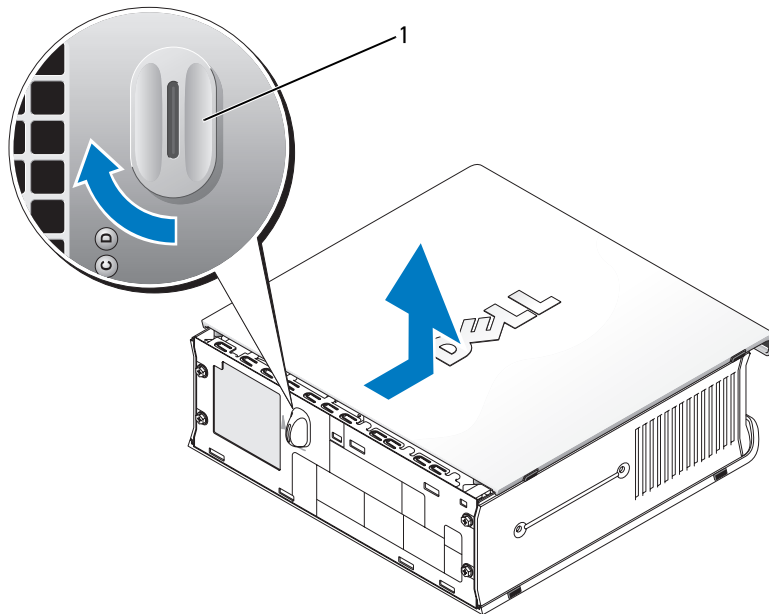
b Πατήστε το κουμπί απελευθέρωσης, πιάστε το κάλυμμα του καλωδίου και γλιστρήστε το κάλυμμα στα αριστερά μέχρι τέρμα και στη συνέχεια σηκώστε το κάλυμμα του καλωδίου προς τα πάνω και αφαιρέστε το.

3 Αφαιρέστε το κάλυμμα του υπολογιστή:

a Περιστρέψτε το κουμπί απελευθέρωσης καλύμματος δεξιόστροφα, όπως φαίνεται στην εικόνα.

b Γλιστρήστε το κάλυμμα του υπολογιστή προς τα εμπρός 1 cm (½ ίντσα) ή μέχρι τέρμα και στη συνέχεια σηκώστε το.

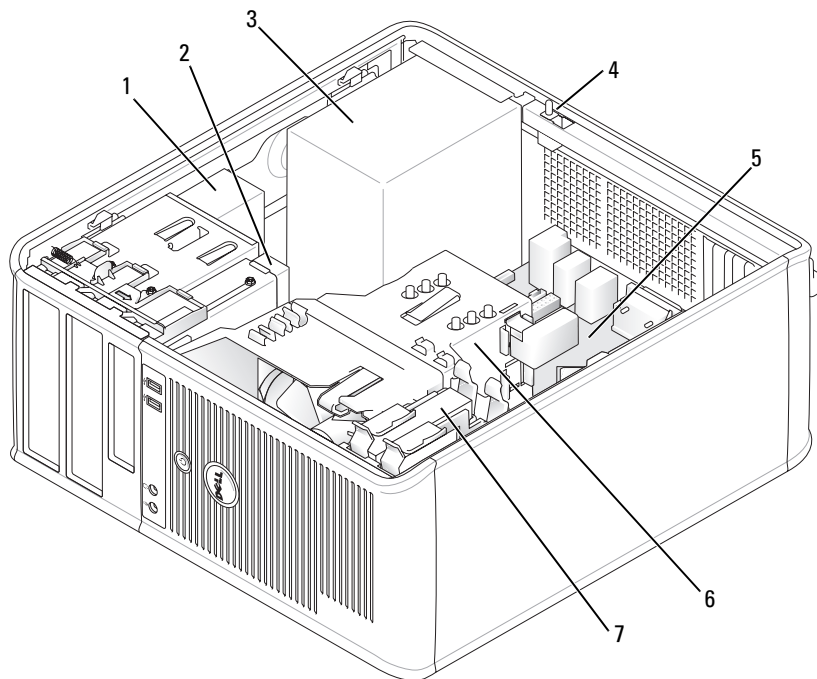
ΠΡΟΣΟΧΗ: Οι ψύκτρες της γραφικής κάρτας μπορεί να υπερθερμανθούν κατά τη διάρκεια της κανονικής λειτουργίας. Βεβαιωθείτε ότι η ψύκτρα της γραφικής κάρτας έχει κρυώσει πριν την αγγίξετε.



1 κουμπί απελευθέρωσης

Στο εσωτερικό του υπολογιστή σας

Υπολογιστής Mini Tower



1 μονάδα οπτικών δίσκων

2 μονάδα δισκέτας ή συσκευή
ανάγνωσης καρτών

3 παροχή τροφοδοσίας

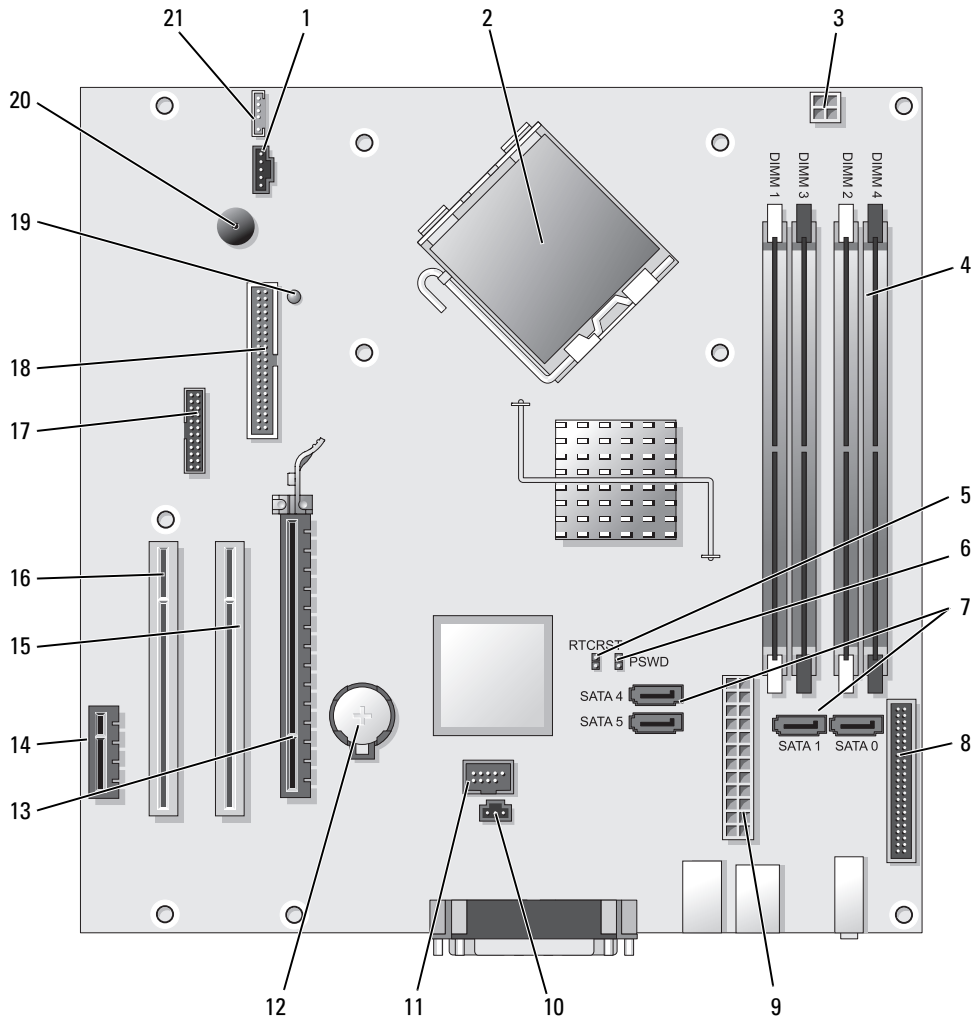
4 προαιρετικός διακόπτης
παραβίασης πλαισίου

5 μητρική πλακέτα

6 διάταξη ψύκτρας

7 μονάδα σκληρού δίσκου

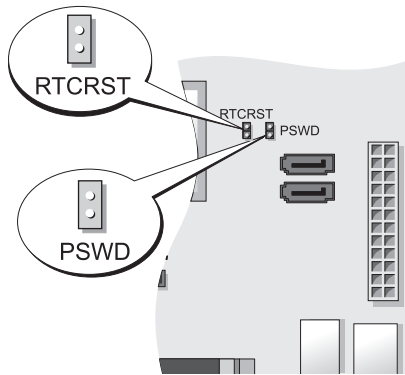
Στοιχεία κάρτας συστήματος









- | | | | |
|---|---|----|------------------------------|
| 1 | θύρα ανεμιστήρα (FAN) | 12 | υποδοχή μπαταρίας (BATT) |
| 2 | θύρα επεξεργαστή (CPU) | 13 | θύρα PCI Express x16 (SLOT1) |
| 3 | θύρα ισχύος επεξεργαστή (12VPOWER) | 14 | θύρα PCI Express x1 (SLOT4) |
| 4 | θύρες μονάδας μνήμης (DIMM_1, DIMM_2, DIMM_3, DIMM_4) | 15 | θύρα PCI (SLOT2) |
| 5 | βραχυκυκλωτήρας επανεκκίνησης RTC (RTCST) | 16 | θύρα PCI (SLOT3) |
| | | | |

- | | | | |
|----|---|----|--------------------------------|
| 6 | βραχυκυκλωτήρας κωδικού πρόσβασης (PSWD) | 17 | σειριακή θύρα (SER2) |
| 7 | θύρες μονάδας δίσκους SATA (SATA0, SATA1, SATA4, SATA5) | 18 | θύρα μονάδας δισκέτας (DSKT) |
| 8 | θύρα μπροστινού μέρους (FNT_PANEL) | 19 | παραμένουσα ισχύς |
| 9 | θύρα τροφοδοσίας (POWER) | 20 | ηχείο κάρτας συστήματος (BEEP) |
| 10 | θύρα διακόπτη παραβίασης (INTRUDER) | 21 | θύρα ηχείου (INT_SPKR) |
| 11 | εσωτερικό USB (INTERNAL_USB) | | |

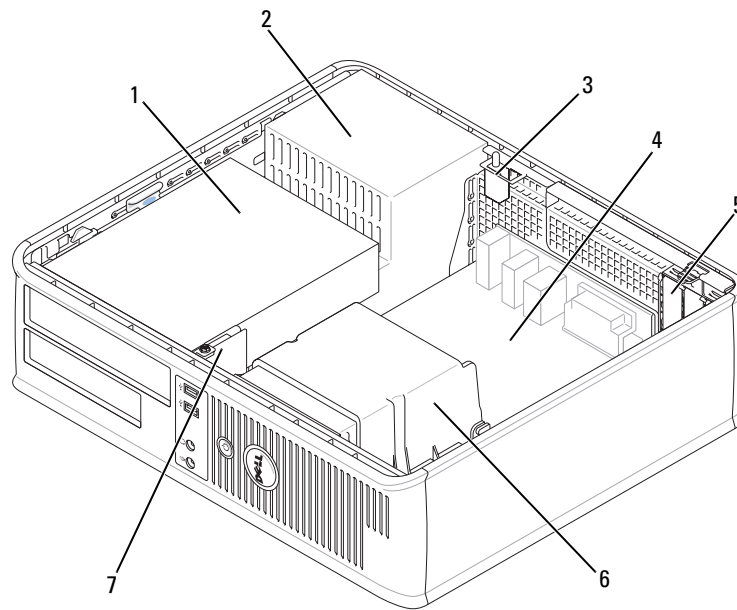
Ρυθμίσεις βραχυκυκλωτήρα



Βραχυκυκλωτήρας	Ρύθμιση	Περιγραφή
PSWD		Οι λειτουργίες κωδικού πρόσβασης είναι ενεργοποιημένες (προεπιλογή).
		Οι λειτουργίες κωδικού πρόσβασης είναι απενεργοποιημένες.
RTCRST		Το ρολόι πραγματικού χρόνου δεν έχει μηδενιστεί.
		Το ρολόι πραγματικού χρόνου δεν μηδενίζεται (προσωρινά βραχυκυκλωμένο).

 βραχυκυκλωμένο
  μη βραχυκυκλωμένο

Επιτραπέζιος υπολογιστής



1 φατνία μονάδας δίσκου (συσκευή ανάγνωσης κάρτας ή μονάδα δισκέτας, μονάδα οπτικών δίσκων και σκληρός δίσκος)

2 παροχή τροφοδοσίας

3 προαιρετικός διακόπτης παραβίασης πλαισίου

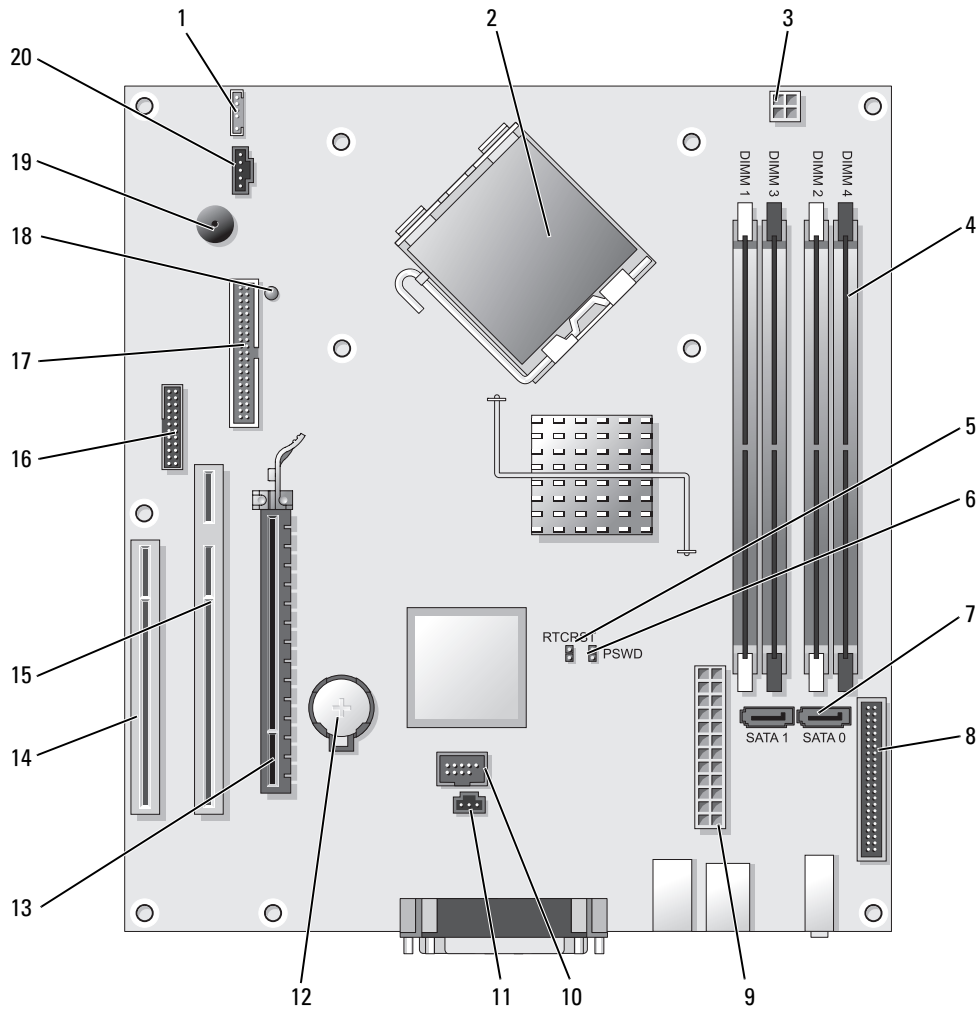
4 μητρική πλακέτα

5 υποδοχές καρτών

6 ψύκτρα

7 μπροστινό πλαίσιο I/O

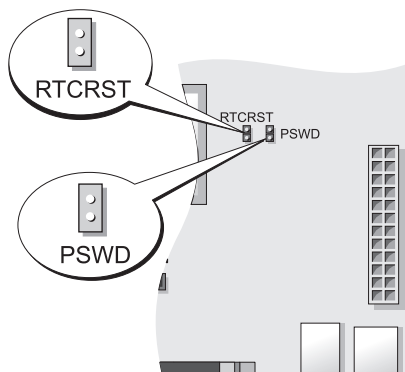
Στοιχεία κάρτας συστήματος



- | | | | |
|---|---|----|-------------------------------------|
| 1 | εσωτερικό ηχείο (INT_SPKR) | 11 | θύρα διακόπτη παραβίασης (INTRUDER) |
| 2 | θύρα επεξεργαστή (CPU) | 12 | υποδοχή μπαταρίας (BATT) |
| 3 | θύρα ισχύος επεξεργαστή (12VPOWER) | 13 | θύρα PCI Express x16 (SLOT1) |
| 4 | θύρες μονάδας μνήμης (DIMM_1, DIMM_2, DIMM_3, DIMM_4) | 14 | θύρα PCI (SLOT3) |
| 5 | βραχυκυκλωτήρας επανεκκίνησης RTC (RTCRST) | 15 | θύρα PCI (SLOT2) |

- | | | | |
|----|--|----|--------------------------------|
| 6 | βραχυκυκλωτήρας κωδικού πρόσβασης (PSWD) | 16 | σειριακή θύρα (SER2) |
| 7 | θύρες SATA (SATA0, SATA1) | 17 | θύρα μονάδας δισκέτας (DSKT) |
| 8 | θύρα μπροστινού μέρους (FNT_PANEL) | 18 | παραμένουσα ισχύς |
| 9 | θύρα τροφοδοσίας (POWER) | 19 | ηχείο κάρτας συστήματος (BEEP) |
| 10 | εσωτερικό USB (INTERNAL_USB) | 20 | θύρα ανεμιστήρα (FAN) |

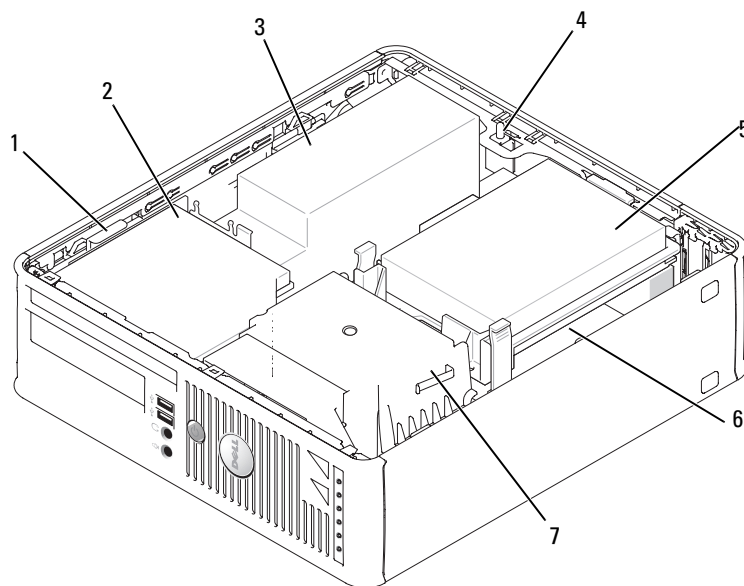
Ρυθμίσεις βραχυκυκλωτήρα



Βραχυκυκλωτήρας	Ρύθμιση	Περιγραφή
PSWD		Οι λειτουργίες κωδικού πρόσβασης είναι ενεργοποιημένες (προεπιλογή).
		Οι λειτουργίες κωδικού πρόσβασης είναι απενεργοποιημένες.
RTCRST		Το ρολόι πραγματικού χρόνου δεν έχει μηδενιστεί.
		Το ρολόι πραγματικού χρόνου δεν μηδενίζεται (προσωρινά βραχυκυκλωμένο).

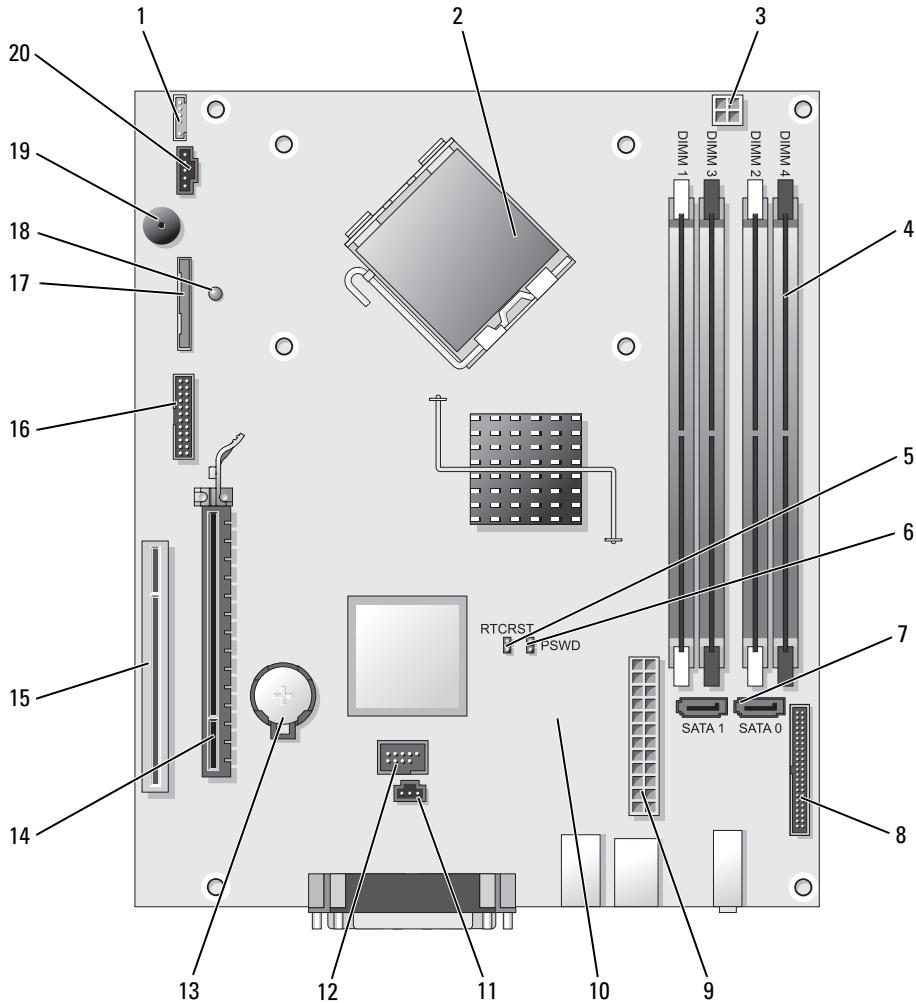
βραχυκυκλωμένο
 μη βραχυκυκλωμένο

Μικρός υπολογιστής (SFF)



- | | | |
|--|-------------------------|------------------------------|
| 1 ασφάλεια απελευθέρωσης μονάδα δίσκου | 2 μονάδα οπτικών δίσκων | 3 τροφοδοσία και ανεμιστήρας |
| 4 προαιρετικός διακόπτης παραβίασης πλαισίου | 5 μονάδα σκληρού δίσκου | 6 μητρική πλακέτα |
| 7 διάταξη ψύκτρας και ανεμιστήρα | | |

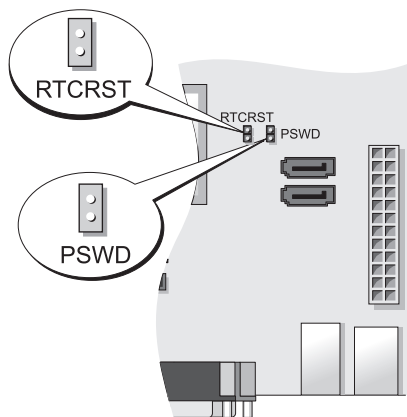
Στοιχεία κάρτας συστήματος









- | | | | |
|---|---|----|-------------------------------------|
| 1 | θύρα εσωτερικού ηχείου (INT_SPKR) | 11 | θύρα διακόπτη παραβίασης (INTRUDER) |
| 2 | θύρα επεξεργαστή (CPU) | 12 | εσωτερική θύρα USB (USB) |
| 3 | θύρα ισχύος επεξεργαστή (12VPOWER) | 13 | υποδοχή μπαταρίας (BATT) |
| 4 | θύρες μονάδας μνήμης (DIMM_1, DIMM_2, DIMM_3, DIMM_4) | 14 | θύρα PCI Express x16 (SLOT1) |
| 5 | βραχυκυκλωτήρας επανεκκίνησης RTC (RTCRST) | 15 | θύρα PCI (SLOT2) |

- | | | | |
|----|--|----|--------------------------------|
| 6 | βραχυκυκλωτήρας κωδικού πρόσβασης (PSWD) | 16 | σειριακή θύρα (SER2) |
| 7 | θύρες SATA (SATA0, SATA1) | 17 | θύρα μονάδας δισκέτας (DSKT) |
| 8 | θύρα μπροστινού μέρους (FNT_PANEL) | 18 | παραμένουσα ισχύς |
| 9 | θύρα τροφοδοσίας (POWER) | 19 | ηχείο κάρτας συστήματος (BEEP) |
| 10 | θύρα ανεμιστήρα (FAN2) | 20 | θύρα ανεμιστήρα (FAN) |

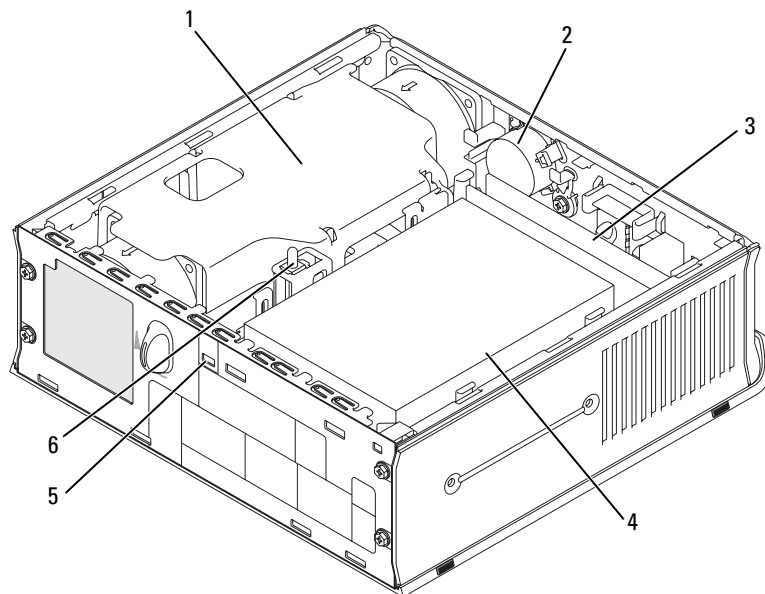
Ρυθμίσεις βραχυκυκλωτήρα



Βραχυκυκλωτήρας	Ρύθμιση	Περιγραφή
PSWD		Οι λειτουργίες κωδικού πρόσβασης είναι ενεργοποιημένες (προεπιλογή).
		Οι λειτουργίες κωδικού πρόσβασης είναι απενεργοποιημένες.
RTCRST		Το ρολόι πραγματικού χρόνου δεν έχει μηδενιστεί.
		Το ρολόι πραγματικού χρόνου δεν μηδενίζεται (προσωρινά βραχυκυκλωμένο).

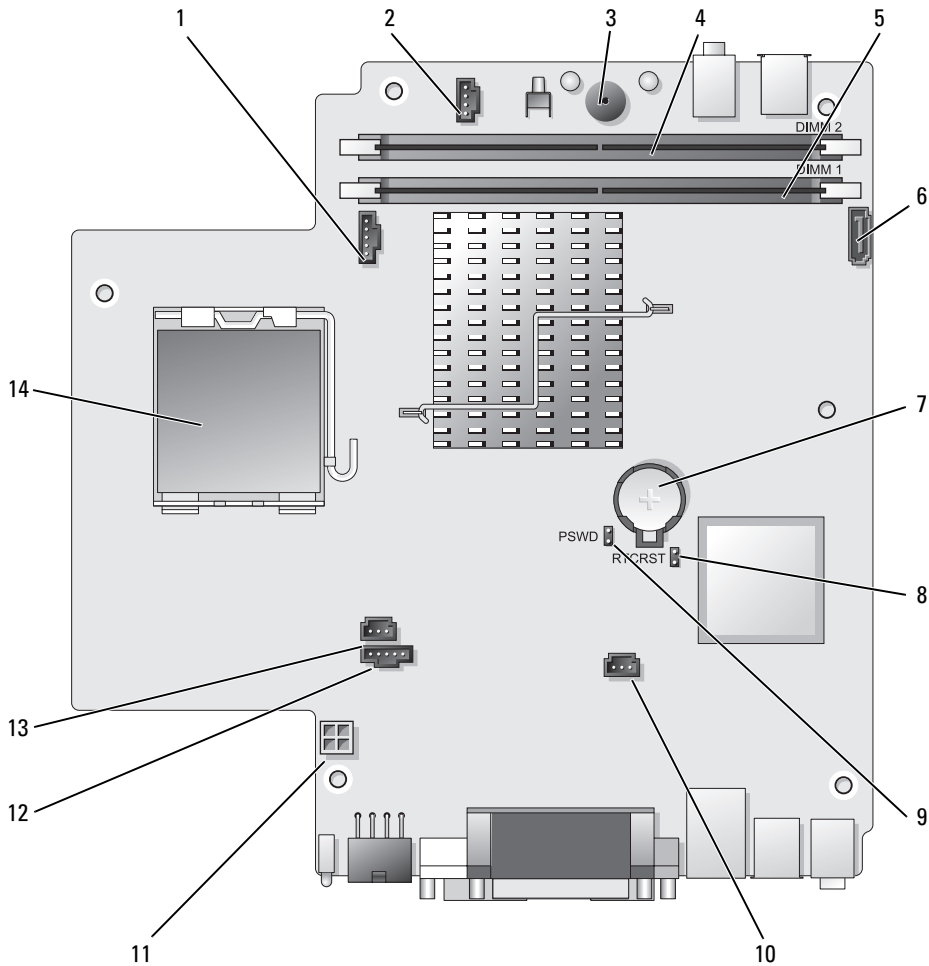
 βραχυκυκλωμένο
  μη βραχυκυκλωμένο

Εξαιρετικά μικρός υπολογιστής



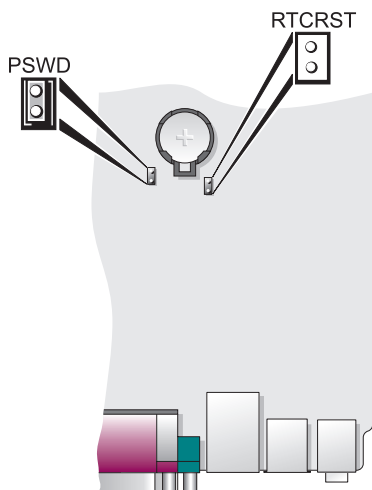
- | | | | | | |
|---|--|---|----------------------------|---|-------------------------------|
| 1 | περίβλημα ανεμιστήρα/
διάταξη ψύκτρας | 2 | ηχείο (προαιρετικό) | 3 | μονάδες μνήμης (2) |
| 4 | μονάδα σκληρού δίσκου | 5 | υποδοχή καλωδίου ασφαλείας | 6 | πιεζόμενος διακόπτης πλαισίου |







Στοιχεία κάρτας συστήματος



- | | | | |
|---|--------------------------------------|----|--|
| 1 | θύρα ανεμιστήρας (FAN_FRONT) | 8 | διάφανος βραχυκυκλωτήρας CMOS (RTCRST) |
| 2 | θύρα εσωτερικού ηχείου (INT_SPKR) | 9 | βραχυκυκλωτήρας κωδικού πρόσβασης (PSWD) |
| 3 | ηχείο κάρτας συστήματος (BEEP) | 10 | θύρα ανεμιστήρα σκληρού δίσκου (FAN_HDD) |
| 4 | θύρα μνήμης καναλιού B (DIMM_2) | 11 | θύρα ισχύος σκληρού δίσκου (SATA_PWR) |
| 5 | θύρα μνήμης καναλιού A (DIMM_1) | 12 | θύρα ανεμιστήρα (FAN_REAR) |
| 6 | θύρα καλωδίου δεδομένων SATA (SATA0) | 13 | θύρα διακόπτη παραβίασης (INTRUDER) |
| 7 | μπαταρία (BATT) | 14 | επεξεργαστής (CPU) |

Ρυθμίσεις βραχυκυκλωτήρα



Βραχυκυκλωτήρας	Ρύθμιση	Περιγραφή
PSWD		Οι λειτουργίες κωδικού πρόσβασης είναι ενεργοποιημένες (προεπιλογή).
		Οι λειτουργίες κωδικού πρόσβασης είναι απενεργοποιημένες.
RTCST		Το ρολόι πραγματικού χρόνου δεν έχει μηδενιστεί.
		Το ρολόι πραγματικού χρόνου δεν μηδενίζεται (προσωρινά βραχυκυκλωμένο).
	<i>βραχυκυκλωμένο</i>	 <i>μη βραχυκυκλωμένο</i>

Ρύθμιση του υπολογιστή σας



ΠΡΟΣΟΧΗ: Πριν εκτελέσετε οποιαδήποτε από τις διαδικασίες που περιέχονται σε αυτήν την ενότητα, ακολουθήστε τις οδηγίες ασφαλείας που βρίσκονται στον *Οδηγό Πληροφοριών προϊόντος*.



ΕΙΔΟΠΟΙΗΣΗ: Εάν στον υπολογιστή σας έχει εγκατασταθεί κάρτα επέκτασης (όπως π.χ. κάρτα μόντεμ, συνδέστε το κατάλληλο καλώδιο στην κάρτα, όχι στη θύρα στο πίσω μέρος.



ΕΙΔΟΠΟΙΗΣΗ: Για να βοηθήσετε τον υπολογιστή να μείνει στη σωστή θερμοκρασία λειτουργίας, μην τον τοποθετείτε πολύ κοντά σε τοίχο ή άλλο αποθηκευτικό χώρο που ενδεχομένως να εμποδίζει την κυκλοφορία του αέρα στο πλαίσιο. Ανατρέξτε στον Οδηγό Πληροφοριών Προϊόντος για περισσότερες λεπτομέρειες.



ΣΗΜΕΙΩΣΗ: Πριν εγκαταστήσετε συσκευές ή λογισμικό που δεν παραδόθηκε μαζί με τον υπολογιστή σας, διαβάστε την τεκμηρίωση που συνοδεύει τη συσκευή ή το λογισμικό, ή επικοινωνήστε με τον προμηθευτή για να βεβαιωθείτε ότι η συσκευή ή το λογισμικό είναι συμβατά με τον υπολογιστή και το λειτουργικό σύστημά σας.

Πρέπει να ολοκληρώσετε όλα τα βήματα προκειμένου να ρυθμιστεί κατάλληλα ο υπολογιστής σας. Δείτε τα σχετικά σχήματα που ακολουθούν τις οδηγίες.



ΕΙΔΟΠΟΙΗΣΗ: Μην επιχειρήσετε να χρησιμοποιήσετε ταυτόχρονα ποντίκι PS/2 και USB.

- 1 Συνδέστε το πληκτρολόγιο και το ποντίκι.



ΕΙΔΟΠΟΙΗΣΗ: Μην συνδέετε καλώδιο μόντεμ στη θύρα της κάρτας δικτύου. Η τάση από τηλεφωνικές επικοινωνίες μπορεί να προκαλέσει βλάβη στην κάρτα δικτύου

- 2 Συνδέστε το μόντεμ ή το καλώδιο δικτύου.

Συνδέστε το καλώδιο δικτύου, όχι τη γραμμή τηλεφώνου, στη θύρα δικτύου. Αν έχετε εξωτερικό μόντεμ, συνδέστε την τηλεφωνική γραμμή στο μόντεμ.

- 3 Συνδέστε την οθόνη.

Ευθυγραμμίστε το καλώδιο της οθόνης και εισαγάγετε το προσεκτικά χωρίς να λυγίσετε τις ακίδες. Σφίξτε τις βίδες στους συνδετήρες του καλωδίου.



ΣΗΜΕΙΩΣΗ: Κάποιες οθόνες έχουν τη θύρα βίντεο κάτω από το πίσω μέρος τους. Ανατρέξτε στην τεκμηρίωση που συνοδεύει την οθόνη για το σημείο που βρίσκεται η θύρα.

- 4 Συνδέστε τα ηχεία.

- 5 Συνδέστε τα καλώδια τροφοδοσίας στον υπολογιστή, στην οθόνη και στις συσκευές και συνδέστε τις άλλες άκρες τους στις πρίζες.



ΕΙΔΟΠΟΙΗΣΗ: Για την πρόληψη βλάβης ενός υπολογιστή με χειροκίνητο διακόπτη επιλογής τάσης, γυρίστε το διακόπτη στην τάση που συμφωνεί όσο το δυνατόν περισσότερο με την τροφοδοσία AC που είναι διαθέσιμη στην περιοχή σας.

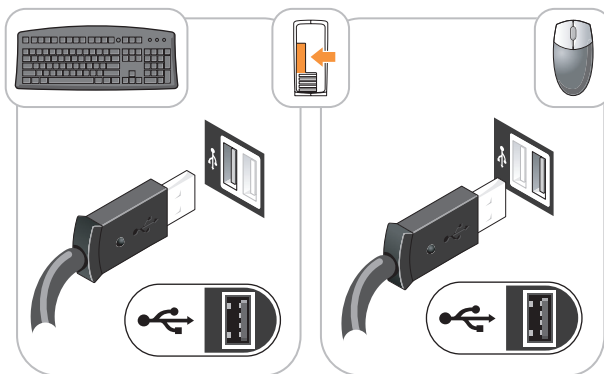


ΕΙΔΟΠΟΙΗΣΗ: Στην Ιαπωνία, ο διακόπτης επιλογής τάσης πρέπει να ρυθμίζεται στη θέση 115-V, παρόλο που η διαθέσιμη ισχύς AC στην Ιαπωνία είναι 100 V.

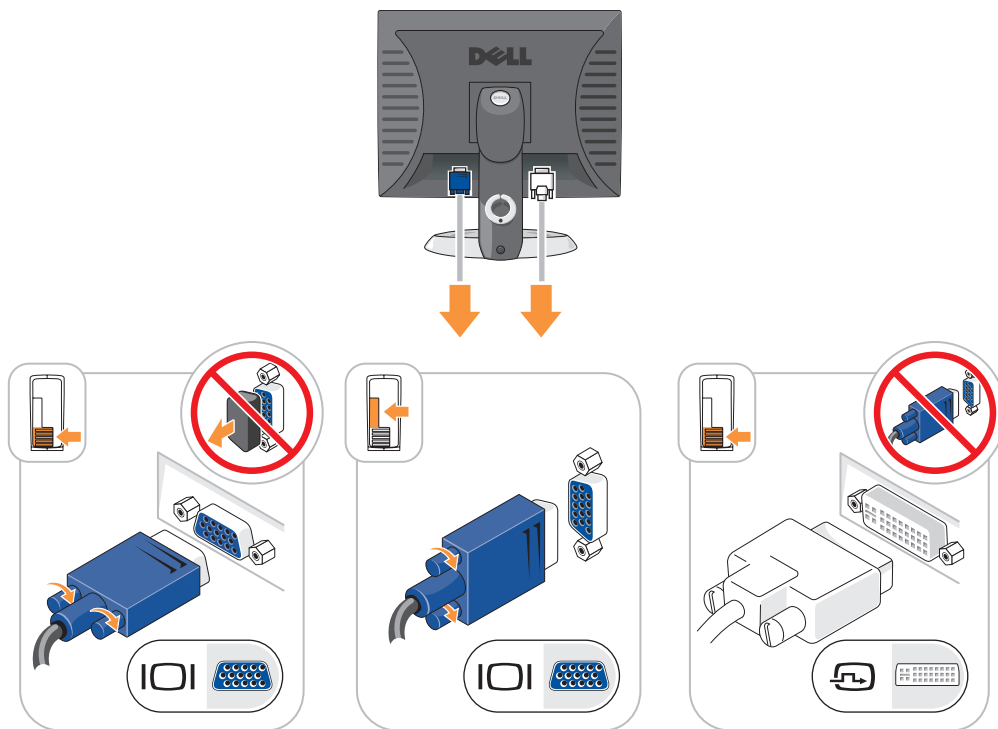
- 6 Βεβαιωθείτε πως ο διακόπτης επιλογής τάσης έχει τεθεί σωστά ανάλογα με την περιοχή που βρίσκεστε.

Ο υπολογιστής σας διαθέτει χειροκίνητο διακόπτη επιλογής τάσης. Οι υπολογιστές με διακόπτη επιλογής τάσης στο πίσω πλαίσιο πρέπει να ρυθμίζονται χειροκίνητα ώστε να λειτουργούν στη σωστή τάση λειτουργίας.

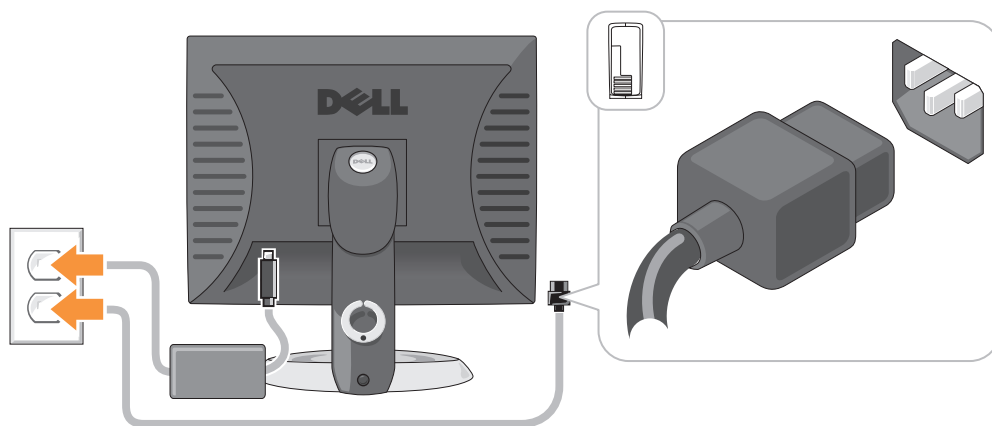
Ρύθμιση του πληκτρολογίου και του ποντικιού σας



Ρύθμιση της οθόνης σας



Συνδέσεις τροφοδοσίας



Επίλυση προβλημάτων

Η Dell παρέχει ένα πλήθος εργαλείων που θα σας βοηθήσουν όταν ο υπολογιστής σας δεν αποδίδει όπως πρέπει. Για τις πιο πρόσφατες πληροφορίες επίλυσης προβλημάτων που είναι διαθέσιμες για τον υπολογιστή σας, επισκεφθείτε τον ιστοχώρο υποστήριξης της Dell στη διεύθυνση support.dell.com.

Εάν υπάρξουν προβλήματα σχετικά με τον υπολογιστή που απαιτούν βοήθεια από την Dell, γράψτε μια λεπτομερή περιγραφή του σφάλματος, των ηχητικών σημάτων ή του τρόπου με τον οποίο αναβοσβήνουν οι λυχνίες διάγνωσης. Σημειώστε τον κωδικό ταχείας εξυπηρέτησης και την ετικέτα εξυπηρέτησης στον παρακάτω χώρο και στη συνέχεια επικοινωνήστε με την Dell από το σημείο στο οποίο βρίσκεται ο υπολογιστής σας. Για πληροφορίες σχετικά με τον τρόπο επικοινωνίας με την Dell, ανατρέξτε στον online *Οδηγό χρήσης*.

Για ένα παράδειγμα ενός κωδικού ταχείας εξυπηρέτησης και μια ετικέτας εξυπηρέτησης, ανατρέξτε στην ενότητα «Εύρεση πληροφοριών» *Οδηγός χρήσης*.

Κωδικός ταχείας εξυπηρέτησης: _____

Ετικέτα εξυπηρέτησης: _____

Διαγνωστικό πρόγραμμα της Dell

! ΠΡΟΣΟΧΗ: Πριν ξεκινήσετε οποιαδήποτε από τις διαδικασίες που αναφέρονται σε αυτή την ενότητα, ακολουθήστε τις οδηγίες ασφαλείας που βρίσκονται στον *Οδηγό πληροφοριών προϊόντος*.

Πότε να χρησιμοποιήσετε το διαγνωστικό πρόγραμμα της Dell

Εάν αντιμετωπίσετε κάποιο πρόβλημα με τον υπολογιστή σας, πραγματοποιήστε τους ελέγχους που αναφέρονται στην ενότητα «Επίλυση προβλημάτων» στον online *Οδηγό χρήσης* και εκτελέστε το διαγνωστικό πρόγραμμα της Dell πριν επικοινωνήσετε με την Dell για τεχνική βοήθεια. Για πληροφορίες σχετικά με τον τρόπο επικοινωνίας με την Dell, ανατρέξτε στον online *Οδηγό χρήσης*.

➡ ΕΙΔΟΠΟΙΗΣΗ: Το διαγνωστικό πρόγραμμα της Dell λειτουργεί μόνο στους υπολογιστές της Dell™.

Ανοίξτε τις ρυθμίσεις συστήματος (δείτε «Ρυθμίσεις συστήματος» στον online *Οδηγό χρήσης* για οδηγίες), ελέγξτε τις πληροφορίες ρυθμίσεων παραμέτρων του υπολογιστή σας και βεβαιωθείτε ότι η συσκευή που θέλετε να ελέγξετε εμφανίζεται στις ρυθμίσεις συστήματος και είναι ενεργή.

Κάντε εκκίνηση του διαγνωστικού προγράμματος είτε από τη μονάδα του σκληρού δίσκου σας είτε από το προαιρετικό CD Προγράμματα οδήγησης και βοηθητικές εφαρμογές (*CD πόρων*).

Εκκίνηση του διαγνωστικού προγράμματος της Dell από τον σκληρό δίσκο σας

- 1 Εκκινήστε (ή επανεκκινήστε) τον υπολογιστή σας.
- 2 Όταν εμφανιστεί το λογότυπο της DELL, πατήστε <F12> αμέσως.



ΣΗΜΕΙΩΣΗ: Αν εμφανιστεί ένα μήνυμα ότι δεν βρέθηκε τμήμα διαγνωστικού, εκτελέστε το διαγνωστικό πρόγραμμα της Dell από το προαιρετικό CD *Προγράμματα οδήγησης και βοηθητικές εφαρμογές* (δείτε «Εκκίνηση του διαγνωστικού προγράμματος της Dell από το CD Προγράμματα οδήγησης και βοηθητικές εφαρμογές» στη σελίδα 230).

Εάν περιμένετε πολλή ώρα και εμφανίζεται το λογότυπο του λειτουργικού συστήματος, συνεχίστε να περιμένετε μέχρι να δείτε την επιφάνεια εργασίας Microsoft® Windows®. Στη συνέχεια, τερματίστε τη λειτουργία του υπολογιστή και δοκιμάστε ξανά.

Όταν εμφανιστεί η λίστα των συσκευών εκκίνησης, επιλέξτε **Εκκίνηση στο διαμέρισμα βοηθητικών προγραμμάτων** και πατήστε <Enter>.

- 3 Όταν εμφανιστεί το **Main Menu** (κύριο μενού) του διαγνωστικού προγράμματος της Dell, επιλέξτε τον έλεγχο που θέλετε να εκτελέσετε.

Εκκίνηση του διαγνωστικού προγράμματος της Dell από το CD Προγράμματα οδήγησης και βοηθητικές εφαρμογές

- 1 Τοποθετήστε το CD *Προγράμματα οδήγησης και βοηθητικές εφαρμογές*.
- 2 Σβήστε και κάντε επανεκκίνηση του υπολογιστή.

Όταν εμφανιστεί το λογότυπο της DELL, πατήστε <F12> αμέσως.

Αν περιμένετε πολύ ώρα με το λογότυπο του λειτουργικού συστήματος να εμφανίζεται, περιμένετε κι άλλο έως ότου εμφανιστεί η επιφάνεια εργασίας των Microsoft Windows. Στη συνέχεια, τερματίστε τη λειτουργία του υπολογιστή και δοκιμάστε ξανά.



ΣΗΜΕΙΩΣΗ: Τα βήματα που ακολουθούν αλλάζουν την ακολουθία εκκίνησης μόνο για μία φορά. Στην επόμενη διαδικασία εκκίνησης, η εκκίνηση του υπολογιστή γίνεται σύμφωνα με τις συσκευές που καθορίζονται κατά την ρύθμιση του συστήματος.

- 3 Όταν εμφανιστεί η λίστα με τις συσκευές εκκίνησης, επιλέξτε τη μονάδα CD/DVD και πατήστε <Enter>.
- 4 Επιλέξτε την επιλογή για τη μονάδα CD/DVD από το μενού εκκίνησης του CD.
- 5 Στο μενού που εμφανίζεται επιλέξτε να γίνει εκκίνηση από τη μονάδα CD/DVD.
- 6 Πληκτρολογήστε 1 για να ξεκινήσει το μενού του CD *Προγράμματα οδήγησης και βοηθητικές εφαρμογές*.
- 7 Πληκτρολογήστε 2 για να ξεκινήσει το διαγνωστικό πρόγραμμα της Dell.

- 8 Επιλέξτε **Run the 32 Bit Dell Diagnostics** (Εκτέλεση του διαγνωστικού προγράμματος 32 Bit της Dell) από την αριθμημένη λίστα. Εάν υπάρχουν πολλές εκδόσεις, επιλέξτε την έκδοση που είναι κατάλληλη για τον υπολογιστή σας.
- 9 Όταν εμφανιστεί το **Main Menu** (κύριο μενού) του διαγνωστικού προγράμματος της Dell, επιλέξτε τον έλεγχο που θέλετε να εκτελέσετε.

Κύριο μενού διαγνωστικού προγράμματος της Dell

- 1 Μετά τη φόρτωση του διαγνωστικού προγράμματος της Dell και την εμφάνιση της οθόνης του **Main Menu** (κύριο μενού), κάντε κλικ στο κουμπί που αντιστοιχεί στην επιλογή που θέλετε.

Επιλογή	Λειτουργία
Express Test	Πραγματοποιείται γρήγορος έλεγχος των συσκευών. Αυτός ο έλεγχος διαρκεί συνήθως 10 έως 20 λεπτά και δεν απαιτεί τη συμμετοχή σας. Εκτελέστε αρχικά τη λειτουργία « Γρήγορος έλεγχος » για να αυξήσετε την πιθανότητα γρήγορου εντοπισμού του προβλήματος.
Extended Test	Πραγματοποιείται λεπτομερής έλεγχος των συσκευών. Αυτός ο έλεγχος συνήθως διαρκεί ώρα ή περισσότερο και απαιτεί, κατά διαστήματα, να απαντάτε σε ερωτήσεις.
Custom Test	Πραγματοποιείται έλεγχος μιας συγκεκριμένης συσκευής. Μπορείτε να προσαρμόσετε τους ελέγχους που θέλετε να εκτελέσετε.
Symptom Tree	Παραθέτει τα πιο συνηθισμένα συμπτώματα που παρουσιάζονται και σας επιτρέπει να επιλέξετε κάποιον έλεγχο ανάλογα με το σύμπτωμα του προβλήματος που αντιμετωπίζετε.

- 2 Εάν αντιμετωπίσετε πρόβλημα κατά τη διάρκεια του ελέγχου, εμφανίζεται ένα μήνυμα με έναν κωδικό σφάλματος και μια περιγραφή του προβλήματος. Σημειώστε τον κωδικό σφάλματος και την περιγραφή του προβλήματος και ακολουθήστε τις οδηγίες που εμφανίζονται στην οθόνη.

Εάν δεν μπορείτε να επιλύσετε το πρόβλημα, επικοινωνήστε με την Dell. Για πληροφορίες σχετικά με τον τρόπο επικοινωνίας με την Dell, ανατρέξτε στον online *Οδηγό χρήσης*.



ΣΗΜΕΙΩΣΗ: Η ετικέτα εξυπηρέτησης για τον υπολογιστή σας βρίσκεται στο επάνω μέρος της κάθε δοκιμαστικής οθόνης. Εάν έρθετε σε επαφή με την Dell, η τεχνική υποστήριξη θα σας ζητήσει την ετικέτα εξυπηρέτησης.

- 3 Εάν εκτελέσετε έλεγχο από την επιλογή **Custom Test** (Προσαρμοσμένος έλεγχος) ή **Symptom Tree** (Συμπτώματα), κάντε κλικ στη σχετική καρτέλα που περιγράφεται στον ακόλουθο πίνακα για περισσότερες πληροφορίες.

Καρτέλα	Λειτουργία
Results	Εμφανίζει τα αποτελέσματα του ελέγχου και τυχόν σφάλματα που εντοπίστηκαν.
Errors	Εμφανίζει συνθήκες σφαλμάτων, κωδικούς σφαλμάτων και την περιγραφή του προβλήματος.
Help	Περιγράφει τη δοκιμή και μπορεί να υποδείξει ανάγκες για την εκτέλεση της δοκιμής.
Configuration	Εμφανίζει τη διαμόρφωση υλικού για την επιλεγμένη συσκευή. Το διαγνωστικό πρόγραμμα της Dell λαμβάνει πληροφορίες διαμόρφωσης για όλες τις συσκευές από τη ρύθμιση συστήματος, τη μνήμη, και διάφορες εσωτερικές δοκιμές, και εμφανίζει τις πληροφορίες στη λίστα συσκευών στο αριστερό παράθυρο της οθόνης. Η λίστα συσκευών ενδέχεται να μην εμφανίζει τα ονόματα όλων των στοιχείων, τα οποία είναι εγκατεστημένα στον υπολογιστή σας ή όλων των συσκευών, οι οποίες είναι συνδεδεμένες στον υπολογιστή σας.
Parameters	Μπορείτε να προσαρμόσετε τον έλεγχο αλλάζοντας τις ρυθμίσεις του.

- 4 Όταν ολοκληρωθούν οι έλεγχοι, εάν εκτελείτε τα διαγνωστικά προγράμματα της Dell από το *CD Προγράμματος οδήγησης και εφαρμογές* (προαιρετικό), αφαιρέστε το CD.
- 5 Κλείσιμο την οθόνη ελέγχων για να επιστρέψετε στο **Main Menu** (κύριο μενού). Για έξοδο από το διαγνωστικό πρόγραμμα της Dell και επανεκκίνηση του υπολογιστή, κλείστε το **κύριο μενού**.


Λυχνίες συστήματος

Η λυχνία ισχύος σας μπορεί να υποδεικνύει ένα πρόβλημα με τον υπολογιστή σας

Λυχνία ισχύος	Περιγραφή προβλήματος	Συνιστώμενη λύση
Σταθερό πράσινο	Η τροφοδοσία είναι ενεργή και ο υπολογιστής λειτουργεί κανονικά.	Δεν απαιτείται διορθωτική ενέργεια.
Αναβοσβήνει πράσινο	Ο υπολογιστής βρίσκεται σε λειτουργία εξοικονόμησης ενέργειας.	Πατήστε το κουμπί λειτουργίας, μετακινήστε το ποντίκι ή πατήστε ένα πλήκτρο στο πληκτρολόγιο για να ξυπνήσετε τον υπολογιστή.
Αναβοσβήνει πράσινο μερικές φορές και μετά απενεργοποιείται	Υπάρχει σφάλμα ρύθμισης	Ελέγξτε στην ενότητα Διαγνωστικές λυχνίες για να δείτε αν αναγνωρίζεται το συγκεκριμένο πρόβλημα (δείτε «Διαγνωστικές λυχνίες» στη σελίδα 234).


Λυχνία ισχύος	Περιγραφή προβλήματος	Συνιστώμενη λύση
Σταθερό κίτρινο	Μια συσκευή στην κάρτα συστήματος μπορεί να είναι εσφαλμένη ή εσφαλμένα εγκατεστημένη ή ο διακόπτης επιλογής τάσης στο τροφοδοτικό μπορεί να είναι ρυθμισμένη λάθος.	Ελέγξτε στην ενότητα Διαγνωστικές λυχνίες για να δείτε αν αναγνωρίζεται το συγκεκριμένο πρόβλημα (δείτε «Διαγνωστικές λυχνίες» στη σελίδα 234). Ανατρέξτε στην ενότητα «Προβλήματα τροφοδοσίας» στον online <i>Οδηγό χρήσης</i> . Για πληροφορίες σχετικά με τον τρόπο επικοινωνίας με την Dell, ανατρέξτε στον online <i>Οδηγό χρήσης</i> . Για πληροφορίες σχετικά με τον τρόπο επικοινωνίας με την Dell, ανατρέξτε στον online <i>Οδηγό χρήσης</i> .
Αναβοσβήνει κίτρινο	Προέκυψε σφάλμα τροφοδοσίας ή πίνακα συστήματος.	Ελέγξτε στην ενότητα Διαγνωστικές λυχνίες για να δείτε αν αναγνωρίζεται το συγκεκριμένο πρόβλημα (δείτε «Διαγνωστικές λυχνίες» στη σελίδα 234). Ανατρέξτε στην ενότητα «Προβλήματα τροφοδοσίας» στον online <i>Οδηγό χρήσης</i> . Για πληροφορίες σχετικά με τον τρόπο επικοινωνίας με την Dell, ανατρέξτε στον online <i>Οδηγό χρήσης</i> . Για πληροφορίες σχετικά με τον τρόπο επικοινωνίας με την Dell, ανατρέξτε στον online <i>Οδηγό χρήσης</i> .
Σταθερό πράσινο και κωδικός ηχητικών σημάτων κατά το POST	Ανιχνεύτηκε πρόβλημα κατά την εκτέλεση του BIOS.	Για οδηγίες σχετικά με τη διάγνωση βάσει των κωδικών ηχητικών σημάτων, δείτε «Προβλήματα κωδικών ηχητικών σημάτων» στη σελίδα 237. Επίσης, ελέγξτε την ενότητα Διαγνωστικές λυχνίες για να δείτε αν αναγνωρίζεται το συγκεκριμένο πρόβλημα
Λυχνία ισχύος με σταθερό πράσινο, χωρίς κωδικό ηχητικών σημάτων και χωρίς εικόνα κατά το POST	Η οθόνη ή η κάρτα γραφικών μπορεί να είναι ελαττωματικά ή να έχουν εγκατασταθεί εσφαλμένα.	Ελέγξτε την ενότητα Διαγνωστικές λυχνίες για να δείτε αν αναγνωρίζεται το συγκεκριμένο πρόβλημα.
Λυχνία ισχύος με σταθερό πράσινο και χωρίς κωδικό ηχητικών σημάτων, αλλά ο υπολογιστής κλειδώνει κατά το POST	Μια ενσωματωμένη συσκευή στην κάρτα συστήματος μπορεί να είναι ελαττωματική.	Ελέγξτε την ενότητα Διαγνωστικές λυχνίες για να δείτε αν αναγνωρίζεται το συγκεκριμένο πρόβλημα. Για πληροφορίες σχετικά με τον τρόπο επικοινωνίας με την Dell, ανατρέξτε στον online <i>Οδηγό χρήσης</i> . Για πληροφορίες σχετικά με τον τρόπο επικοινωνίας με την Dell, ανατρέξτε στον online <i>Οδηγό χρήσης</i> .

Διαγνωστικές λυχνίες





 **ΠΡΟΣΟΧΗ:** Πριν ξεκινήσετε οποιαδήποτε από τις διαδικασίες που αναφέρονται σε αυτή την ενότητα, ακολουθήστε τις οδηγίες ασφαλείας που βρίσκονται στον *Οδηγό πληροφοριών προϊόντος*.




Για να σας βοηθήσει στην αντιμετώπιση ενός προβλήματος, ο υπολογιστής σας έχει τέσσερις λυχνίες με τις ετικέτες «1,» «2,» «3,» και «4» στην μπροστινή ή πίσω πλευρά. Οι λυχνίες μπορεί να είναι σβηστές ή πράσινες. Όταν ο υπολογιστής ξεκινάει κανονικά, αν το τμήμα POST της εκκίνησης του συστήματος ολοκληρωθεί με επιτυχία, και οι τέσσερις λυχνίες ανάβουν πράσινες για ένα σύντομο διάστημα και μετά σβήνουν ξανά. Εάν κατά τη διάρκεια της διαδικασίας POST υπάρξει κάποια δυσλειτουργία του υπολογιστή, το χρώμα των λυχνιών LED μπορεί να βοηθήσει στην αναγνώριση του τμήματος στο οποίο υπήρξε το πρόβλημα του υπολογιστή κατά τη διάρκεια της διαδικασίας.

Αν ο υπολογιστής δεν λειτουργεί σωστά μετά από έναν επιτυχή έλεγχο POST, οι διαγνωστικές λυχνίες δεν δείχνουν την αιτία του προβλήματος. Αν ο υπολογιστής δεν λειτουργεί σωστά μετά από έναν επιτυχή έλεγχο POST, οι διαγνωστικές λυχνίες δεν δείχνουν την αιτία του προβλήματος.

 **ΣΗΜΕΙΩΣΗ:** Οι διαγνωστικές λυχνίες μπορούν να εμφανίζονται είτε κάθετα είτε οριζόντια. Οι διαγνωστικές λυχνίες μπορεί να είναι είτε σε κατακόρυφη είτε σε οριζόντια διάταξη.

Μοτίβο λυχνιών	Περιγραφή προβλήματος	Προτεινόμενη λύση
① ② ③ ④	Ο υπολογιστής βρίσκεται σε κανονική κατάσταση «off», ή προέκυψε πιθανή βλάβη πριν το BIOS. Οι διαγνωστικές λυχνίες δεν ανάβουν αφού ο υπολογιστής ξεκινάει με επιτυχία το λειτουργικό σύστημα.	Συνδέστε τον υπολογιστή σε μια ηλεκτρική πρίζα που λειτουργεί και πατήστε το κουμπί λειτουργίας.
① ② ③ ④	Προέκυψε πιθανή βλάβη του BIOS. Ο υπολογιστής βρίσκεται σε λειτουργία αποκατάστασης.	Εκτελέστε το βοηθητικό πρόγραμμα αποκατάστασης BIOS, περιμένετε να ολοκληρωθεί η αποκατάσταση, και κατόπιν επανεκκινήστε τον υπολογιστή.
① ② ③ ④	Προέκυψε πιθανή βλάβη του επεξεργαστή	Για πληροφορίες σχετικά με την επανεγκατάσταση του επεξεργαστή, ανατρέξτε στον Οδηγό χρήσης. Για πληροφορίες σχετικά με την επανεγκατάσταση του επεξεργαστή, ανατρέξτε στον online <i>Οδηγό χρήσης</i> .

Μοτίβο λυχνιών	Περιγραφή προβλήματος	Προτεινόμενη λύση
	<p>Ανιχνεύονται μονάδες μνήμης, αλλά προέκυψε βλάβη μνήμης.</p>	<ul style="list-style-type: none"> • Για πληροφορίες σχετικά με την επανεγκατάσταση μονάδων μνήμης, ανατρέξτε στον online Οδηγό χρήσης. Για πληροφορίες σχετικά με την επανεγκατάσταση μονάδων μνήμης, ανατρέξτε στον online <i>Οδηγό χρήσης</i>. • Εάν ο υπολογιστής ξεκινήσει κανονικά, τοποθετήστε ξανά μια πρόσθετη μονάδα. Συνεχίστε μέχρι να βρείτε την ελαττωματική μονάδα ή να εγκαταστήσετε εκ νέου όλες τις μονάδες χωρίς κάποιο σφάλμα. Συνεχίστε έως ότου εντοπίσετε μια ελαττωματική μονάδα ή έχετε επανεγκαταστήσει όλες τις μονάδες χωρίς να εμφανιστεί σφάλμα. • Αν είναι διαθέσιμη, εγκαταστήστε στον υπολογιστή σας μια μονάδα μνήμης ίδιου τύπου που λειτουργεί κανονικά. • Αν το πρόβλημα επιμένει, επικοινωνήστε με την Dell. Για πληροφορίες σχετικά με τον τρόπο επικοινωνίας με την Dell, ανατρέξτε στον online <i>Οδηγό χρήσης</i>.
	<p>Προέκυψε πιθανή βλάβη κάρτας γραφικών</p>	<ul style="list-style-type: none"> • Αν ο υπολογιστής διαθέτει κάρτα γραφικών, αφαιρέστε την, τοποθετήστε την ξανά και στην συνέχεια επανεκκινήστε τον υπολογιστή. • Αν το πρόβλημα εξακολουθεί να υπάρχει, εγκαταστήστε μια κάρτα γραφικών που γνωρίζετε ότι λειτουργεί σωστά και επανεκκινήστε τον υπολογιστή. • Αν το πρόβλημα επιμένει ή ο υπολογιστής έχει ενσωματωμένα γραφικά, επικοινωνήστε με την Dell. Για πληροφορίες σχετικά με τον τρόπο επικοινωνίας με την Dell, ανατρέξτε στον online <i>Οδηγό χρήσης</i>.
	<p>Προέκυψε πιθανή βλάβη μονάδας δισκέτας ή σκληρού δίσκου.</p>	<p>Αποσυνδέστε και συνδέστε όλα τα καλώδια τροφοδοσίας και δεδομένων και επανεκκινήστε τον υπολογιστή.</p>
	<p>Προέκυψε πιθανή βλάβη USB.</p>	<p>Εγκαταστήστε ξανά όλες τις συσκευές USB, ελέγξτε τις συνδέσεις καλωδίων, και κατόπιν επανεκκινήστε τον υπολογιστή.</p>

Μοτίβο λυχνιών	Περιγραφή προβλήματος	Προτεινόμενη λύση
	<p>Δεν έχει ανιχνευθεί καμία κάρτα μνήμης.</p>	<ul style="list-style-type: none"> • Για πληροφορίες σχετικά με την επανεγκατάσταση μονάδων μνήμης, ανατρέξτε στον online Οδηγό χρήσης. Για πληροφορίες σχετικά με την επανεγκατάσταση μονάδων μνήμης, ανατρέξτε στον online <i>Οδηγό χρήσης</i>. • Εάν ο υπολογιστής ξεκινήσει κανονικά, τοποθετήστε ξανά μια πρόσθετη μονάδα. Συνεχίστε μέχρι να βρείτε την ελαττωματική μονάδα ή να εγκαταστήσετε εκ νέου όλες τις μονάδες χωρίς κάποιο σφάλμα. Συνεχίστε έως ότου εντοπίσετε μια ελαττωματική μονάδα ή έχετε επανεγκαταστήσει όλες τις μονάδες χωρίς να εμφανιστεί σφάλμα. • Αν είναι διαθέσιμη, εγκαταστήστε στον υπολογιστή σας μια μονάδα μνήμης ίδιου τύπου που λειτουργεί κανονικά. • Αν το πρόβλημα επιμένει, επικοινωνήστε με την Dell. Για πληροφορίες σχετικά με τον τρόπο επικοινωνίας με την Dell, ανατρέξτε στον online <i>Οδηγό χρήσης</i>.
	<p>Έχουν ανιχνευτεί μονάδες μνήμης, αλλά υπάρχει σφάλμα ρύθμισης ή συμβατότητας μνήμης.</p>	<ul style="list-style-type: none"> • Βεβαιωθείτε ότι δεν υπάρχουν ειδικές απαιτήσεις για την τοποθέτηση της μονάδας μνήμης/θύρας μνήμης. • Βεβαιωθείτε πως οι μονάδες μνήμης που τοποθετείτε είναι συμβατές με τον υπολογιστή σας. • Αν το πρόβλημα επιμένει, επικοινωνήστε με την Dell. Για πληροφορίες σχετικά με τον τρόπο επικοινωνίας με την Dell, ανατρέξτε στον online <i>Οδηγό χρήσης</i>.
	<p>Έχει προκύψει βλάβη. Αυτός ο συνδυασμός εμφανίζεται επίσης όταν εισέρχεστε στις ρυθμίσεις συστήματος και μπορεί να μην υποδεικνύει κάποιο πρόβλημα.</p>	<ul style="list-style-type: none"> • Βεβαιωθείτε πως τα καλώδια από τον σκληρό δίσκο, τη μονάδα CD και τη μονάδα DVD έχουν συνδεθεί σωστά στη μητρική πλακέτα. • Ελέγξτε το μήνυμα του υπολογιστή που εμφανίζεται στην οθόνη. • Αν το πρόβλημα επιμένει, επικοινωνήστε με την Dell. Για πληροφορίες σχετικά με τον τρόπο επικοινωνίας με την Dell, ανατρέξτε στον online <i>Οδηγό χρήσης</i>.

Προβλήματα κωδικών ηχητικών σημάτων

Ο υπολογιστής σας εκπέμπει μια σειρά ηχητικών σημάτων κατά την εκκίνηση αν η οθόνη δεν μπορεί να εμφανίσει σφάλματα ή προβλήματα. Αυτή η σειρά των ηχητικών σημάτων, επισημαίνει κάποιο πρόβλημα. Ένα πιθανό ηχητικό σήμα (1 3 3-1) αποτελείται από ένα ηχητικό σήμα, μία σειρά τριών ηχητικών σημάτων και τέλος άλλο ένα ηχητικό σήμα. Αυτός ο κωδικός ηχητικών σημάτων σας ενημερώνει πως ο υπολογιστής αντιμετώπισε κάποιο πρόβλημα μνήμης.

Εάν ακουστεί κάποιο ηχητικό σήμα από τον υπολογιστή σας κατά την εκκίνηση του:

- 1 Καταγράψτε το ηχητικό σήμα.
- 2 Δείτε «Διαγνωστικό πρόγραμμα της Dell» στη σελίδα 229 για να αναγνωρίσετε μια πιο σοβαρή αιτία.
- 3 Επικοινωνήστε με την Dell για τεχνική υποστήριξη. Για πληροφορίες σχετικά με τον τρόπο επικοινωνίας με την Dell, ανατρέξτε στον online *Οδηγό χρήσης*.

Κωδικός	Αιτία	Κωδικός	Αιτία
1-1-2	Αποτυχία καταγραφής μικροεπεξεργαστή	3-1-4	Αποτυχία καταγραφής μάσκας διακοπής δευτερεύοντος
1-1-3	Αποτυχία ανάγνωσης/εγγραφής NVRAM	3-2-2	Αποτυχία φόρτωσης ανύσματος διακοπής
1-1-4	Βλάβη αθροίσματος ελέγχου ROM BIOS	3-2-4	Αποτυχία δοκιμής ελεγκτή πληκτρολογίου
1-2-1	Αποτυχία προγραμματιζόμενου χρονοδιακόπτη	3-3-13-3-1	Απώλεια ισχύος NVRAM
1-2-2	Αποτυχία αρχικών ρυθμίσεων DMA	3-3-2	Μη έγκυρη διαμόρφωση NVRAM
1-2-3	Αποτυχία ανάγνωσης/εγγραφής καταγραφής σελίδας DMA	3-3-4	Αποτυχία δοκιμής μνήμης βίντεο
1-3	Αποτυχία δοκιμής μνήμης βίντεο	3-4-1	Αποτυχία αρχικών ρυθμίσεων οθόνης
1-3-1 έως 2-4-4	Δεν έχει γίνει σωστή αναγνώριση ή χρήση της μνήμης	3-4-2	Αποτυχία νέας ανίχνευσης της οθόνης
3-1-1	Αποτυχία καταγραφής δευτερεύοντος DMA	3-4-3	Αναζήτηση για βλάβη βίντεο ROM
3-1-2	Αποτυχία καταγραφής πρωτεύοντος DMA	4-2-1	Δεν υπάρχει ηχητικό σήμα από το χρονοδιακόπτη
3-1-3	Αποτυχία καταγραφής μάσκας διακοπής πρωτεύοντος	4-2-2	Αποτυχία τερματισμού λειτουργίας
4-2-3	Αποτυχία πύλης A20	4-4-1	Αποτυχία δοκιμής σειριακής ή παράλληλης θύρας
4-2-4	Μη αναμενόμενη διακοπή στη λειτουργία προστασίας	4-4-2	Αποτυχία στην αποσυμπίεση κωδικού αντιγραμμένης μνήμης
4-3-1	Αποτυχία μνήμης πάνω από τη διεύθυνση 0FFFFh	4-4-3	Αποτυχία δοκιμής του συν-επεξεργαστή μαθηματικών
4-3-3	Αποτυχία τσιπ χρονοδιακόπτη μετρητή 2	4-4-4	Αποτυχία δοκιμής Cache
4-3-4	Διακοπή ρολογιού ημέρας		

Επίλυση ασυμβατοτήτων λογισμικού και υλικού

Εάν μία συσκευή είτε δεν ανιχνευθεί κατά τη ρύθμιση του λειτουργικού συστήματος ή έχει ανιχνευθεί αλλά έχει διαμορφωθεί λανθασμένα, μπορείτε να χρησιμοποιήσετε την αντιμετώπιση προβλημάτων υλικού για να επιλύσετε την ασυμβατότητα.

- 1 Κάντε κλικ στο κουμπί **Start** (Εναρξη) **Help and Support** (Βοήθεια και υποστήριξη).
- 2 Πληκτρολογήστε `hardware troubleshooter` στο πεδίο **Search** (Ερευνα) και κάντε κλικ στο βέλος για να ξεκινήσει η έρευνα.
- 3 Κάντε κλικ στο **Hardware Troubleshooter** (Αντιμετώπιση προβλημάτων υλικού) στον κατάλογο με τα **αποτελέσματα αναζήτησης**.
- 4 Στον κατάλογο του **Hardware Troubleshooter** (Αντιμετώπιση προβλημάτων υλικού), κάντε κλικ στο **I need to resolve a hardware conflict on my computer** (Πρέπει να επιλύσω μια διένεξη υλικού στον υπολογιστή μου) και κάντε κλικ στο **Next** (Επόμενο).

Χρήση της Επαναφοράς συστήματος των Microsoft Windows XP

Το λειτουργικό σύστημα των Microsoft Windows XP διαθέτει τη λειτουργία Επαναφορά Συστήματος που σας επιτρέπει να επαναφέρετε τον υπολογιστή σας σε μια προηγούμενη κατάσταση λειτουργίας (χωρίς να επηρεαστούν τα αρχεία), σε περίπτωση που οι αλλαγές στο υλικό, το λογισμικό ή άλλες ρυθμίσεις συστήματος είχαν αρνητικές επιδράσεις στον υπολογιστή. Για πληροφορίες σχετικά με το πώς να χρησιμοποιήσετε την Επαναφορά Συστήματος, ανατρέξτε στο Κέντρο Βοήθειας και υποστήριξης των Windows. Για πρόσβαση στο Κέντρο βοήθειας και υποστήριξης των Windows, δείτε «Κέντρο Βοήθειας και υποστήριξης των Windows» στη σελίδα 189.



ΕΙΔΟΠΟΙΗΣΗ: Η Επαναφορά Συστήματος δεν παρακολουθεί ή επαναφέρει τα αρχεία δεδομένων σας. Η Επαναφορά Συστήματος δεν παρακολουθεί ή επαναφέρει τα αρχεία δεδομένων σας.

Δημιουργία ενός σημείου επαναφοράς

- 1 Κάντε κλικ στο κουμπί **Start** (Εναρξη) και κατόπιν στο κουμπί **Help and Support** (Βοήθεια και υποστήριξη).
- 2 Κάντε κλικ στο **System Restore** (Επαναφορά Συστήματος).
- 3 Ακολουθήστε τις οδηγίες στην οθόνη.

Επαναφορά του υπολογιστή σε προηγούμενη κατάσταση λειτουργίας



ΕΙΔΟΠΟΙΗΣΗ: Μην αλλάξετε, ανοίξετε, ή διαγράψετε αρχεία ή προγράμματα μέχρι να ολοκληρωθεί η επαναφορά. Μην αλλάξετε, ανοίξετε, ή διαγράψετε αρχεία ή προγράμματα μέχρι να ολοκληρωθεί η επαναφορά.

- 1 Κάντε κλικ στο **Start** (Εναρξη), επιλέξτε **All Programs** (Όλα τα προγράμματα) → **Accessories** (Βοηθήματα) → **System Tools** (Εργαλεία συστήματος) και μετά κάντε κλικ στο **System Restore** (Επαναφορά Συστήματος).
- 2 Βεβαιωθείτε πως έχετε επιλέξει **Restore my computer to an earlier time** (Επαναφορά του υπολογιστή μου σε προηγούμενο χρονικό σημείο) και κάντε κλικ στο **Next** (Επόμενο).
- 3 Κάντε κλικ σε μία ημερομηνία στο ημερολόγιο στην οποία θέλετε να επαναφέρετε τον υπολογιστή.

Η οθόνη **Select a Restore Point** (Επιλογή σημείου επαναφοράς) παρέχει ένα ημερολόγιο που σας επιτρέπει να δείτε τα σημεία επαναφοράς. Όλες οι ημερομηνίες του ημερολογίου με διαθέσιμα σημεία επαναφοράς εμφανίζονται με έντονη γραφή.

- 4 Επιλέξτε ένα σημείο επαναφοράς και κάντε κλικ στο **Next** (Επόμενο).

Εάν είναι διαθέσιμα δύο ή και περισσότερα σημεία επαναφοράς, κάντε κλικ στο σημείο επαναφοράς που προτιμάτε. Εάν είναι διαθέσιμα δύο ή και περισσότερα σημεία επαναφοράς, κάντε κλικ στο σημείο επαναφοράς που προτιμάτε.

- 5 Κάντε κλικ στο **Next** (Επόμενο).

Εμφανίζεται η οθόνη **Restoration Complete** (Ολοκλήρωση επαναφοράς), η οποία εμφανίζεται αφού η Επαναφορά συστήματος ολοκληρώσει τη συλλογή δεδομένων και γίνει επανεκκίνηση του υπολογιστή.

- 6 Αφού ξεκινήσει ο υπολογιστής, κάντε κλικ στο **OK**.

Για να αλλάξετε σημείο επαναφοράς, μπορείτε είτε να επαναλάβετε τα βήματα χρησιμοποιώντας ένα διαφορετικό σημείο επαναφοράς ή μπορείτε να ακυρώσετε την επαναφορά.

Ακύρωση της Τελευταίας Επαναφοράς Συστήματος



ΕΙΔΟΠΟΙΗΣΗ: Μην αλλάξετε, ανοίξετε, ή διαγράψετε αρχεία ή προγράμματα μέχρι να ολοκληρωθεί η επαναφορά. Μην αλλάξετε, ανοίξετε, ή διαγράψετε αρχεία ή προγράμματα μέχρι να ολοκληρωθεί η επαναφορά.

- 1 Κάντε κλικ στο **Start** (Εναρξη) επιλέξτε **All Programs** (Όλα τα προγράμματα) → **Accessories** (Βοηθήματα) → **System Tools** (Εργαλεία συστήματος) και μετά κάντε κλικ στο **System Restore** (Επαναφορά Συστήματος).
- 2 Κάντε κλικ στο **Undo my last restoration** (Ακύρωση της τελευταίας επαναφοράς) και κατόπιν στο **Next** (Επόμενο).
- 3 Κάντε κλικ στο **Next** (Επόμενο).
Εμφανίζεται η οθόνη **System Restore** (Επαναφορά Συστήματος) και γίνεται επανεκκίνηση του υπολογιστή.
- 4 Αφού ξεκινήσει ο υπολογιστής, κάντε κλικ στο **OK**.


Ενεργοποίηση της Επαναφοράς Συστήματος

Για να διαπιστώσετε αν η Επαναφορά Συστήματος είναι ενεργοποιημένη: Για να διαπιστώσετε αν η Επαναφορά Συστήματος είναι ενεργοποιημένη:

- 1 Κάντε κλικ στο **Start** (Εναρξη) επιλέξτε **Control Panel** (Πίνακας Ελέγχου).
- 2 Κάντε κλικ στο **Performance and Maintenance** (Επιδόσεις και Συντήρηση).
- 3 Κάντε κλικ στο **System** (Σύστημα).
- 4 Κάντε κλικ στην καρτέλα **System Restore** (Επαναφορά Συστήματος).
- 5 Βεβαιωθείτε πως δεν έχει επιλεγθεί το **Turn off System Restore** (Απενεργοποίηση Επαναφοράς συστήματος).

Επανεγκατάσταση των Microsoft Windows XP


Γνωριμία

 **ΣΗΜΕΙΩΣΗ:** Οι διαδικασίες που περιγράφονται στο παρόν έγγραφο γράφτηκαν για την προεπιλεγμένη προβολή των Windows σε Windows XP Home Edition, συνεπώς τα βήματα θα διαφέρουν αν ρυθμίσετε τον υπολογιστή Dell™ σας στην κλασική προβολή των Windows ή αν χρησιμοποιείτε Windows XP Professional.



Εάν σκέφτεστε να επανεγκαταστήσετε το λειτουργικό σύστημα των Windows XP για να διορθώσετε κάποιο πρόβλημα με κάποιο πρόγραμμα οδήγησης που εγκαταστήσατε πρόσφατα, πρώτα χρησιμοποιήστε την Επαναφορά προγράμματος οδήγησης των Windows XP.

- 1 Κάντε κλικ στο κουμπί **Start** (Εναρξη) και κατόπιν στο κουμπί **Control Panel** (Πίνακας Ελέγχου).
- 2 Στην περιοχή **Pick a category** (Επιλογή κατηγορίας), κάντε κλικ στην επιλογή **Performance and Maintenance** (Επιδόσεις και Συντήρηση).
- 3 Κάντε κλικ στο **System** (Σύστημα).
- 4 Στο παράθυρο **System Properties** (Ιδιότητες συστήματος), κάντε κλικ στην καρτέλα **Hardware** (Υλικό).
- 5 Κάντε κλικ στο **Device Manager** (Διαχείριση Συσκευών).
- 6 Κάντε δεξί κλικ στη συσκευή για την οποία εγκαταστάθηκε το νέο πρόγραμμα οδήγησης και κάντε κλικ στο **Properties** (Ιδιότητες).
- 7 Κάντε κλικ στο **Drivers** (Προγράμματα οδήγησης).
- 8 Κάντε κλικ στο **Roll Back Driver** (Επαναφορά προγράμματος οδήγησης).

Αν η Επαναφορά προγράμματος οδήγησης δεν λύσει το πρόβλημα, τότε χρησιμοποιήστε την Επαναφορά συστήματος για να επαναφέρετε το λειτουργικό σας σύστημα στην κατάσταση λειτουργίας στην οποία βρισκόταν πριν εγκαταστήσετε το πρόγραμμα οδήγησης της νέας συσκευής (δείτε «Χρήση της Επαναφοράς συστήματος των Microsoft Windows XP» στη σελίδα 238.

 **ΣΗΜΕΙΩΣΗ:** Το CD Προγράμματα οδήγησης και βοηθητικές εφαρμογές του *Προγράμματα οδήγησης και βοηθητικές εφαρμογές* Χρησιμοποιήστε το CD Χρησιμοποιήστε CD *Προγράμματα οδήγησης και βοηθητικές εφαρμογές* για να φορτίσετε τυχόν απαιτούμενα προγράμματα οδήγησης, συμπεριλαμβανομένων και των προγραμμάτων οδήγησης που απαιτούνται εάν ο υπολογιστής σας έχει ελεγκτή RAID.

Επανεγκατάσταση των Windows XP

-  **ΕΙΔΟΠΟΙΗΣΗ:** Όταν επανεγκαθιστάτε τα Windows XP, πρέπει να χρησιμοποιήσετε το Service Pack 1 των Windows XP ή κάποια πιο πρόσφατη έκδοση.
-  **ΕΙΔΟΠΟΙΗΣΗ:** Για τις συμβατικές ρυθμίσεις παραμέτρων του σκληρού δίσκου, ο κύριος σκληρός δίσκος είναι ο πρώτος δίσκος που ανιχνεύεται από τον υπολογιστή. Για τις συμβατικές ρυθμίσεις παραμέτρων του σκληρού δίσκου, ο κύριος σκληρός δίσκος είναι ο πρώτος δίσκος που ανιχνεύεται από τον υπολογιστή.

Για να εγκαταστήσετε ξανά τα Windows XP, ακολουθήστε τα παρακάτω βήματα:

- CD *Λειτουργικό σύστημα* της Dell
- Dell *Προγράμματα οδήγησης και βοηθητικές εφαρμογές*

Για να επανεγκαταστήσετε τα Windows XP, εκτελέστε όλα τα βήματα στις ακόλουθες ενότητες, με τη σειρά που αναφέρονται.

Αφού επανεγκαταστήσετε το λειτουργικό σύστημα, πρέπει να επανεγκαταστήσετε τα προγράμματα οδήγησης, τα προγράμματα προστασίας από ιούς και άλλο λογισμικό. Αφού επανεγκαταστήσετε το λειτουργικό σύστημα, πρέπει να επανεγκαταστήσετε τα προγράμματα οδήγησης, τα προγράμματα προστασίας από ιούς και άλλο λογισμικό.

➔ **ΕΙΔΟΠΟΙΗΣΗ:** Το CD *Λειτουργικό σύστημα* παρέχει επιλογές για την επανεγκατάσταση των Windows XP. Συνεπώς, μην επανεγκαθιστάτε τα Windows XP, εκτός αν σας συμβουλεύσει κάποιος αντιπρόσωπος από την τεχνική υποστήριξη της Dell. Συνεπώς, μην επανεγκαθιστάτε τα Windows XP, εκτός αν σας συμβουλεύσει κάποιος αντιπρόσωπος από την τεχνική υποστήριξη της Dell.

➔ **ΕΙΔΟΠΟΙΗΣΗ:** Για οδηγίες, δείτε την τεκμηρίωση που συνόδευε το λογισμικό. Για οδηγίες, δείτε την τεκμηρίωση που συνόδευε το λογισμικό.


Έναρξη από το CD του λειτουργικού συστήματος


- 1 Αποθηκεύστε και κλείστε όλα τα ανοιχτά αρχεία και κλείστε όλα τα ανοιχτά προγράμματα.
- 2 Τοποθετήστε το CD *Λειτουργικό σύστημα*. Κάντε κλικ στο **Exit** (Εξόδος) αν εμφανιστεί το μήνυμα *Install Windows XP* (Εγκατάσταση των Windows XP).
- 3 Επανεκκινήστε τον υπολογιστή.
- 4 Πατήστε <F12> αμέσως μετά την εμφάνιση του λογότυπου DELL.
Εάν εμφανιστεί το λογότυπο του λειτουργικού συστήματος, περιμένετε μέχρι να εμφανιστεί η επιφάνεια εργασίας των Windows, και μετά κλείστε τον υπολογιστή και προσπαθήστε ξανά.
- 5 Πατήστε τα πλήκτρα βέλους για να επιλέξετε **CD-ROM** και πατήστε το <Enter>.
- 6 Όταν εμφανιστεί το μήνυμα *Press any key to boot from CD* (Πιέστε οποιοδήποτε πλήκτρο για εκκίνηση από το CD), πιέστε οποιοδήποτε πλήκτρο.

Εγκατάσταση των Windows XP

- 1 Όταν εμφανιστεί η οθόνη **Windows XP Setup** (Εγκατάσταση των Windows XP), πιέστε το <Enter> για να επιλέξετε **To set up Windows now** (Εγκατάσταση των Windows τώρα).
- 2 Παρακαλούμε διαβάστε τις πληροφορίες στην οθόνη **Microsoft Windows Licensing Agreement** (Άδεια χρήσης Microsoft Windows), και πατήστε το <F8> για να αποδεχτείτε την άδεια χρήσης.
- 3 Εάν τα Windows XP είναι ήδη εγκατεστημένα στον υπολογιστή σας και θέλετε να ανακτήσετε τρέχοντα δεδομένα των Windows XP, πληκτρολογήστε *r* για να κάνετε την επιλογή επιδιόρθωσης και αφαιρέσετε το CD.
- 4 Εάν θέλετε να εγκαταστήσετε ένα νέο αντίγραφο των Windows XP, πιέστε <Esc> για να κάνετε αυτή την επιλογή.
- 5 Πιέστε το <Enter> για να επιλέξετε το επιλεγμένο διαμέρισμα (συνιστάται) και ακολουθήστε τις οδηγίες στην οθόνη.


Εμφανίζεται η οθόνη **Windows XP Setup** (Εγκατάσταση Windows XP), και το σύστημα ξεκινάει να αντιγραφεί αρχεία και να αντικαθιστά τις συσκευές. Γίνεται αυτόματη επανεκκίνηση του υπολογιστή πολλές φορές.

 **ΣΗΜΕΙΩΣΗ:** Ο χρόνος που χρειάζεται για να ολοκληρωθεί η εγκατάσταση εξαρτάται από το μέγεθος του σκληρού δίσκου και την ταχύτητα του υπολογιστή σας.


 **ΕΙΔΟΠΟΙΗΣΗ:** Press any key to boot from the CD (Πιέστε οποιοδήποτε πλήκτρο για έναρξη από το CD). Press any key to boot from the CD (Πιέστε οποιοδήποτε πλήκτρο για έναρξη από το CD).

- 6 Όταν εμφανιστεί η οθόνη **Regional and Language Options** (Τοπικές ρυθμίσεις και ρυθμίσεις γλώσσας), κάντε την επιλογή για την τοποθεσία που βρίσκεστε και κάντε κλικ στο **Next** (Επόμενο).
- 7 Πληκτρολογήστε το όνομα σας και την επιχείρησή σας (προαιρετικό) στην οθόνη **Personalize Your Software** (Προσαρμογή του λογισμικού σας) και κάντε κλικ στο **Next** (Επόμενο).
- 8 Στο παράθυρο **Computer Name and Administrator Password** (Όνομα υπολογιστή και κωδικός υπολογιστή), πληκτρολογήστε ένα όνομα για τον υπολογιστή σας (ή αποδεχτείτε αυτό που εμφανίζεται) και τον κωδικό πρόσβασης, και κάντε κλικ στο **Next** (Επόμενο).
- 9 Εάν εμφανιστεί η οθόνη **Modem Dialing Information** (Πληροφορίες κλήσης μέσω μόντεμ), εισαγάγετε τις απαιτούμενες πληροφορίες και κάντε κλικ στο **Next** (Επόμενο).
- 10 Πληκτρολογήστε την ημερομηνία, την ώρα και τη ζώνη ώρας στο παράθυρο **Date and Time Settings** (Ρυθμίσεις ημερομηνίας και ώρας) και κάντε κλικ στο **Next** (Επόμενο).
- 11 Εάν εμφανιστεί η οθόνη **Networking Settings** (Ρυθμίσεις δικτύου), κάντε κλικ στο **Typical** (Τυπική) και κατόπιν στο **Next** (Επόμενο).
- 12 Εάν δεν είστε σίγουρος για τις ρυθμίσεις σας, αποδεχτείτε τις προεπιλεγμένες. Εάν δεν είστε σίγουρος για τις ρυθμίσεις σας, αποδεχτείτε τις προεπιλεγμένες.

Γίνεται αυτόματη επανεκκίνηση του υπολογιστή. Γίνεται αυτόματη επανεκκίνηση του υπολογιστή.

 **ΕΙΔΟΠΟΙΗΣΗ:** Press any key to boot from the CD (Πιέστε οποιοδήποτε πλήκτρο για έναρξη από το CD). Press any key to boot from the CD. (Πιέστε οποιοδήποτε πλήκτρο για έναρξη από το CD).

- 13 Όταν εμφανιστεί η οθόνη **Welcome to Microsoft** (Καλώς ορίσατε στην Microsoft), κάντε κλικ στο **Next** (Επόμενο).
- 14 Όταν εμφανιστεί το μήνυμα *How will this computer connect to the Internet? (Με ποιον τρόπο θα συνδέεται αυτός ο υπολογιστής στο Internet?)*, κάντε κλικ στο **Skip** (Παράλειψη).
- 15 Όταν εμφανιστεί η οθόνη **Είστε έτοιμοι να κάνετε ηλεκτρονική δήλωση στη Microsoft**, επιλέξτε **No, not at this time** (Όχι αυτήν τη στιγμή) και κάντε κλικ στο **Next** (Επόμενο).
- 16 Όταν εμφανιστεί η οθόνη **Who will use this computer?** (Ποιος θα χρησιμοποιεί αυτόν τον υπολογιστή;), μπορείτε να εισαγάγετε έως και πέντε χρήστες.
- 17 Κάντε κλικ στο **Next** (Επόμενο).
- 18 Κάντε κλικ στο **Finish** (Τέλος) για να ολοκληρωθεί η εγκατάσταση και αφαιρέστε το CD.
- 19 Επανεγκαταστήστε τα κατάλληλα προγράμματα οδήγησης με το *Προγράμματα οδήγησης και βοηθητικές εφαρμογές*.
- 20 Επανεγκαταστήστε το πρόγραμμα για την προστασία από ιούς.
- 21 Επανεγκαταστήστε όλα τα προγράμματα σας.

 **ΣΗΜΕΙΩΣΗ:** Για να εγκαταστήσετε και να ενεργοποιήσετε το Microsoft Office ή το Microsoft Works Suite, χρειάζεστε τον αριθμό-κλειδί προϊόντος που βρίσκεται στο πίσω μέρος του εσώφυλλου του CD του Microsoft Office ή του Microsoft Works Suite.

Χρήση του CD Προγράμματα οδήγησης και βοηθητικές εφαρμογές

Για να χρησιμοποιήσετε το CD *Προγράμματα οδήγησης και βοηθητικές εφαρμογές (CD πόρων)* ενώ τρέχετε το λειτουργικό σύστημα Windows.



ΣΗΜΕΙΩΣΗ: Για πρόσβαση στα προγράμματα οδήγησης της συσκευής και την τεκμηρίωση χρήστη, θα πρέπει να χρησιμοποιήσετε το CD *Προγράμματα οδήγησης και εφαρμογές* ενώ τρέχετε τα Windows.

- 1 Ανοίξτε τον υπολογιστή και περιμένετε μέχρι να εμφανιστεί η επιφάνεια εργασίας των Windows.
- 2 Τοποθετήστε το CD *Προγράμματα οδήγησης και εφαρμογές* στη μονάδα CD

Αν χρησιμοποιείτε το CD *Προγράμματα οδήγησης και εφαρμογές* για πρώτη φορά σε αυτόν τον υπολογιστή, ανοίγει το παράθυρο **ResourceCD Installation** (Εγκατάσταση CD πόρων), ειδοποιώντας σας ότι το CD *Προγράμματα οδήγησης και εφαρμογές* είναι έτοιμο να ξεκινήσει την εγκατάσταση.

- 3 Κάντε κλικ στο **OK** για να συνεχίσετε.

Για να ολοκληρωθεί η εγκατάσταση, απαντήστε στα ερωτήματα που σας γίνονται από το πρόγραμμα εγκατάστασης.

- 4 Κάντε κλικ στο **Next** (Επόμενο) στην οθόνη **Welcome Dell System Owner**.

Επιλέξτε το κατάλληλο **Μοντέλο συστήματος**, **Λειτουργικό σύστημα**, **Τύπο συσκευής**, και **Θέμα**.

Προγράμματα οδήγησης για τον υπολογιστή σας

Για να εμφανίσετε μια λίστα προγραμμάτων οδήγησης συσκευών για τον υπολογιστή σας:

- 1 Κάντε κλικ στο **My Drivers** (Τα προγράμματα οδήγησης μου) στο αναπτυσσόμενο μενού **Topic** (Θέμα). Το προαιρετικό CD *Προγράμματα οδήγησης και εφαρμογές* εξετάζει το υλικό και το λειτουργικό σύστημα του υπολογιστή σας, και στη συνέχεια εμφανίζεται μια λίστα προγραμμάτων οδήγησης συσκευών για τη ρύθμιση του συστήματός σας.
- 2 Κάντε κλικ στο κατάλληλο πρόγραμμα οδήγησης και ακολουθήστε τις οδηγίες για να φορτώσετε το πρόγραμμα στον υπολογιστή σας.

Για να δείτε όλα τα διαθέσιμα προγράμματα οδήγησης για τον υπολογιστή σας, κάντε κλικ στο **Drivers** (Προγράμματα οδήγησης) στο αναπτυσσόμενο μενού **Topic** (Θέμα).

Ευρετήριο

A

Ανατρέξτε στην αντιμετώπιση προβλημάτων

Άδεια Χρήσης Τελικού Χρήστη, 188

αντιμε, 237

αντιμετώπιση προβλημάτων επαναφορά υπολογιστή σε προηγούμενη κατάσταση λειτουργίας, 238

Διαγνωστικό πρόγραμμα της Dell, 229

διενέξεις, 238

Αντιμετώπιση προβλημάτων υλικού, 238

Κέντρο Βοήθειας και υποστήριξης, 189

λυχνίες συστήματος, 232

Αντιμετώπιση προβλημάτων υλικού, 238

αντιμετώπιση προβλημάτων διαγνωστικές λυχνίες, 234

αρχείο βοήθειας

Κέντρο Βοήθειας και υποστήριξης των Windows, 189

Π

πληροφορίες εγγύησης, 188

πληροφορίες κανονισμών, 188

Ε

εγκατάσταση εξαρτημάτων πριν ξεκινήσετε, 208

Επαναφορά Συστήματος, 238

επανεγκατάσταση Windows XP, 240

εργονομικές πληροφορίες, 188

Ετικέτα εξυπηρέτησης, 189

ετικέτες

Ετικέτα εξυπηρέτησης, 189
Microsoft Windows, 189

Δ

διαγνωστικό πρόγραμμα

Διαγνωστικό πρόγραμμα της Dell, 229

διενέξεις

ασυμβατότητες λογισμικού και υλικού, 238

διαγνωστικά

κωδικοί ηχητικών σημάτων, 237

Διαγνωστικό πρόγραμμα της Dell, 229

Διενέξεις IRQ, 238

Λ

λειτουργικό σύστημα επανεγκατάσταση, 188

επανεγκατάσταση Windows XP, 240

λυχνία ισχύος

προβλήματα διάγνωσης με, 232

λυχνίες

διαγνωστικές, 234

σύστημα, 232

τροφοδοσία, 197, 201

Ο

Οδηγός πληροφοριών προϊόντος, 188

οδηγίες ασφαλείας, 188

Οδηγός χρήσης, 187

M

μηνύματα σφάλματος

διαγνωστικές λυχνίες, 234

κωδικοί ηχητικών σημάτων, 237

λυχνίες συστήματος, 232

μητρική κάρτα. Δείτε κάρτα συστήματος

T

τεκμηρίωση

ασφάλεια, 188

εγγύηση, 188

εργονομικά, 188

Οδηγός χρήσης, 187

online, 190

ρυθμιστικά, 188

τοποθεσία υποστήριξης στο
web, 190

τοποθεσία υποστήριξης της
Dell, 190

τροφοδοσία

λυχνία, 197, 201

τεκμηρίωση

Άδεια Χρήσης Τελικού
Χρήστη, 188

Οδηγός πληροφοριών
προϊόντος, 188

Y

υλικό

Διαγνωστικό πρόγραμμα της
Dell, 229

κωδικοί ηχητικών
σημάτων, 237

υλικό, 238

διενέξεις, 238

C

CD

λειτουργικό σύστημα, 188

CD λειτουργικού
συστήματος, 188

CD Προγράμματα οδήγησης
και βοηθητικές
εφαρμογές, 187

D

drivers

list of, 243

K

Κέντρο Βοήθειας και
υποστήριξης, 189

κάλυμμα

αφαίρεση, 208

κάρτα συστήματος, 216, 219,
225

κωδικοί ηχητικών
σημάτων, 237

W

Windows XP

Αντιμετώπιση προβλημάτων
υλικού, 238

Επαναφορά Συστήματος, 238
επανεγκατάσταση, 188, 240

Κέντρο Βοήθειας και
υποστήριξης, 189

setup, 241

Dell™ OptiPlex™ 745

Rövid ismertető

DCTR, DCNE, DCSM, és DCCY modellek

www.dell.com | support.dell.com

Megjegyzések, figyelmeztetések és óvintézkedések



MEGJEGYZÉS: A MEGJEGYZÉSEK a számítógép biztonságosabb és hatékonyabb használatát elősegítő fontos tudnivalókat tartalmazzák.



FIGYELMEZTETÉS: A MEGJEGYZÉS a hardver vagy szoftver potenciális hibájára vagy adatvesztésre utal és útbaigazítást nyújt a probléma elkerüléséhez.



VIGYÁZAT! A VIGYÁZAT jelzések esetleges tárgyi és személyi sérülésekre, illetve életveszélyre hívják fel a figyelmet.

Ha az Ön által vásárolt számítógép Dell™ n Series típusú, a Microsoft® Windows® operációs rendszerekkel kapcsolatos utalások nem alkalmazhatók.

A dokumentumban közölt információ külön értesítés nélkül is megváltozhat.

© 2006 Dell Inc. Minden jog fenntartva.

A Dell Inc. írásbeli engedélye nélkül szigorúan tilos a reprodukálás bármilyen formája.

A szövegben használt védjegyek: A *Dell*, a *DELL* logó, az *Inspiron*, a *Dell Precision*, a *Dimension*, az *OptiPlex*, a *Latitude*, a *PowerEdge*, a *PowerVault*, a *PowerApp* és a *Dell OpenManage* a Dell Inc. védjegyei; Az *Intel*, a *Pentium* és a *Celeron* az Intel Corporation bejegyzett védjegyei; A *Microsoft* és a *Windows* a Microsoft Corporation bejegyzett védjegyei.

A dokumentumban egyéb védjegyek és védett nevek is szerepelhetnek, amelyek a védjegyet vagy nevet bejegyeztető cégre, valamint annak termékeire vonatkoznak. A Dell Computer Corporation kizárólag a saját védjegyeiből és bejegyzett neveiből eredő jogi igényeket érvényesíti.

A DCTR, DCNE, DCSM, és DCCY modellek

2006. augusztus

P/N FH898

Rev. A00

Tartalomjegyzék

Információ	251
A rendszer nézetei	254
Mini torony számítógép – előlnézet	254
Mini torony számítógép – hátulnézet	256
Mini torony számítógép – hátlapi csatlakozók	257
Asztali számítógép – előlnézet	259
Asztali számítógép – hátulnézet	260
Asztali számítógép – Hátlapi csatlakozók	261
Kis formatéyezőjű számítógép – előlnézet	263
Kis formatéyezőjű számítógép – Hátulnézet	264
Kis formatéyezőjű számítógép – hátlapi csatlakozók	265
Ultra kis formatéyezőjű számítógép – előlnézet	267
Ultra kis formatéyezőjű számítógép – Oldalnézet	268
Ultra kis formatéyezőjű számítógép – hátulnézet	269
Ultra kis formatéyezőjű számítógép – hátlapi csatlakozók	269
A számítógép burkolatának eltávolítása	270
Első lépések	271
Mini torony számítógép	272
Asztali számítógép	273
Kis formatéyezőjű számítógép	274
Ultra kis formatéyezőjű számítógép	276
A számítógép belsejében	278
Mini torony számítógép	278
Asztali számítógép	281
Kis formatéyezőjű számítógép	284
Ultra kis formatéyezőjű számítógép	287
A számítógép üzembe helyezése	289
A billentyűzet és az egér csatlakoztatása	291
A monitor csatlakoztatása	291
A tápellátás csatlakoztatása	292
Problémamegoldás	292
Dell-diagnosztika	292
Rendszer-fényjelzések	295

Diagnosztikai visszajelzők	296
Hangkódok	298
Szoftver-és hardver-inkompatibilitási problémák megoldása	299
A Microsoft Windows XP Rendszer-visszaállítás használata	300
A Microsoft Windows XP újratelepítése	301
Az Illesztőprogramok és segédprogramok CD használata	304
A számítógép illesztőprogramjai	304
Tárgymutató	305

Információ

MEGJEGYZÉS: Néhány tulajdonság vagy adathordozó opcionális, ezért lehet, hogy nem képezi a számítógép részét. Elképzelhető, hogy számítógépe egyes funkciói bizonyos országokban nem működnek.

MEGJEGYZÉS: A számítógéphez kiegészítő információk is tarthatnak.

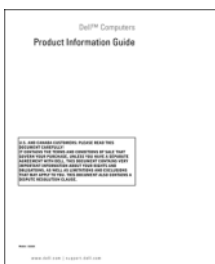
Témakör	Itt találja meg
<ul style="list-style-type: none"> • Diagnosztikai program a számítógéphez • Illesztőprogramok a számítógéphez • A számítógép dokumentációja • Eszközdokumentáció • Desktop System Software (DSS) 	<p>Drivers and Utilities CD (ResourceCD)</p> <p>MEGJEGYZÉS: Az illesztőprogramokat és segédprogramokat tartalmazó <i>Drivers and Utilities</i> CD opcionális, ezért elképzelhető, hogy nem található meg a tartozékok között.</p> <p>A dokumentáció és az illesztőprogramok már telepítve vannak a számítógépen. A CD-t illesztőprogramok újratelepítésére használhatja (lásd „Az Illesztőprogramok és segédprogramok CD használata“ 304. oldal), futtassa a Dell Diagnostics segédprogramot (lásd „Dell-diagnosztika“ oldalon 292), vagy lépjen be a dokumentációjába.</p> <div data-bbox="676 857 939 1124" data-label="Image"> </div> <p>A CD-hez Readme fájl tartozhat, amelyben számítógépe legújabb technikai módosításairól, továbbá speciális, technikusok és tapasztalt felhasználók számára megírt technikai referenciaryagokról olvashat.</p> <p>MEGJEGYZÉS: Az illesztőprogramokat és a dokumentációk frissítését a megtalálja a support.dell.com weboldalon.</p>
<ul style="list-style-type: none"> • Alkatrészek eltávolítása és cseréje • Műszaki adatok • Rendszerbeállítások konfigurálása • Hibakeresés és hibaelhárítás 	<p>Dell™ OptiPlex™ Felhasználói kézikönyv</p> <p><i>Microsoft Windows XP Súly és támogatási központ</i></p> <p>1 Kattintson rendre a Star → Súly és támogatás → Dell felhasználói és rendszerüzemeltetői kézikönyvek → Rendszerüzemeltetői kézikönyv pontra.</p> <p>2 Kattintson a számítógépének megfelelő <i>Felhasználói kézikönyvre</i>.</p> <p>A <i>Felhasználói kézikönyv</i> az opcionális <i>Illesztőprogramok és segédprogramok</i> CD-n is megtalálható.</p>

Témakör

- Garanciával kapcsolatos tudnivalók
- Eladási feltételek és kikötések az Egyesült Államokban
- Biztonsági előírások
- Szabályozással kapcsolatos információk
- Ergonómiával kapcsolatos információk
- Végfelhasználói licenc-megállapodás

Itt találja meg

Dell™ Termékinformációs füzet



-
- Az operációs rendszer újratelepítése

Operációs rendszer telepítőlemeze

MEGJEGYZÉS: Az *Operációs rendszer* CD opcionális, így előfordulhat, hogy nem található meg a számítógép tartozékai között.

Az operációs rendszer már telepítve van a számítógépen. Az operációs rendszer újratelepítéséhez használja az *Operációs rendszer* CD-t (lásd „A Microsoft Windows XP újratelepítése“ 301. oldal).



Az operációs rendszer újratelepítése után használja az opcionális *Drivers and Utilities* CD-t (*ResourceCD*) a számítógépéhez tartozó eszközök illesztőprogramainak újratelepítéséhez. További információkért lásd: „Drivers and

Utilities CD (*ResourceCD*)“ 251. oldal.


Az operációs rendszerhez tartozó termékkulcs-címke a számítógépen található (lásd „Szervizcímke és Microsoft® Windows® termékkulcs“ 253. oldal).

MEGJEGYZÉS: Az *Operációs rendszer* CD színe a megrendelt operációs rendszertől függően, eltérő lehet.

-
- A Windows XP használata
 - A programok és a fájlok kezelése
 - Az asztal személyre szabása

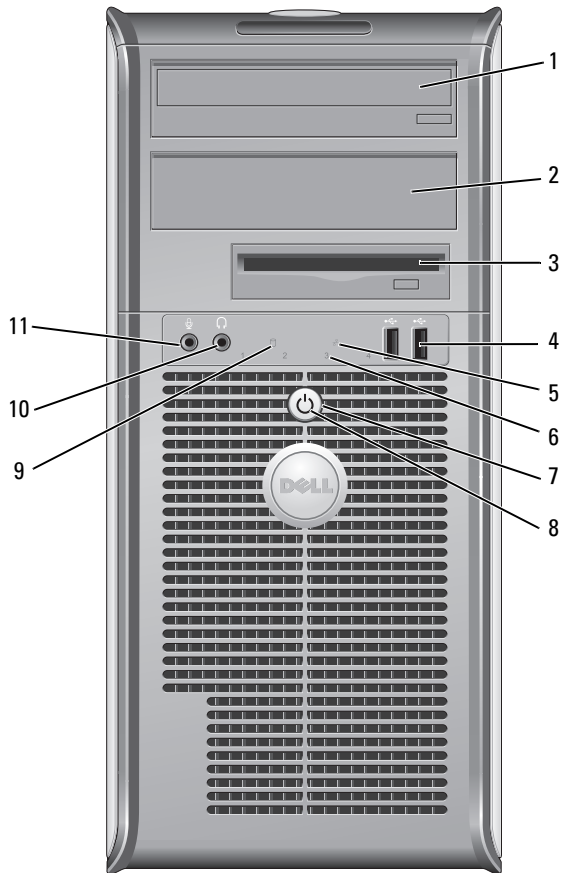
Windows Súly és támogatás központ

- 1 Kattintson a **Start** → **Súly és támogatás** menüpontra.
- 2 Írjon be egy szót vagy kifejezést a probléma leírására, majd kattintson a nyíl ikonra.
- 3 Kattintson a problémának megfelelő témakörre.
- 4 Kövesse a kijelzőn megjelenő utasításokat.

Témakör	Itt találja meg
<ul style="list-style-type: none"> • Szervizcímke és expressz szervizkód • Microsoft Windows termékulcs-címke 	<p>Szervizcímke és Microsoft® Windows® termékulcs</p> <p>Ezek a címkek a számítógépen találhatók</p> <ul style="list-style-type: none"> • Az ügyfélszolgálat megkeresésekor vagy a support.dell.com on-line támogatás igénybevételekor a szervizcímken található adatok alapján azonosíthatja a számítógépet. • Az ügyfélszolgálat felhívásakor adja meg Expressz szervizkódját, hogy hívását a megfelelő szakemberhez tudjuk irányítani. <div data-bbox="948 326 1210 487" style="text-align: right;">  </div>
<ul style="list-style-type: none"> • Megoldások – hibakeresési útmutatások és tippek, cikkek technikusoktól, on-line tanfolyamok és gyakran feltett kérdések • Közösség – on-line eszmecsere a Dell más ügyfeleivel • Frissítések – összetevők, pl. memória, merevlemez és operációs rendszer frissítési információi. • Ügyfélszolgálat – kapcsolatfelvételi információk, szervizhívás és megrendelések állapota, továbbá jótállási és javítási információk. • Szerviz és támogatás – szervizkérelem állapota, támogatástörténet, szervizszerződés és on-line beszélgetés a támogatási csoporttal. • Referencia – a számítógép dokumentációja, a számítógép konfigurációs adatai, a termék műszaki leírása, valamint a vonatkozó törvények • Letöltések – hivatalos illesztőprogramok, javítások és szoftverfrissítések • Desktop System Software (DSS) – ha újratelepíti az operációs rendszert a számítógépen, újra kell telepítenie a DSS-segédprogramot. A DSS automatikusan felismeri számítógépét és operációs rendszerét, és telepíti a konfigurációnak megfelelő frissítéseket operációs rendszere kritikus fontosságú frissítéseivel, valamint a Dell™ 3,5 hüvelykes USB hajlékonylemez meghajtót, az Intel® processzorokat, optikai meghajtókat és USB-eszközöket. A DSS a Dell számítógép megfelelő működésének elengedhetetlen része. 	<p>Dell támogatás honlapja – support.dell.com</p> <p>MEGJEGYZÉS: A megfelelő támogatási weboldal megnyitásához válassza ki a kívánt régiót vagy üzleti szegmenst.</p> <p>Az asztali rendszerszoftver letöltése:</p> <ol style="list-style-type: none"> 1 Látogassa meg a support.dell.com weboldalt, válassza ki a megfelelő vállalkozási szegmenst, majd adja meg szervizcímkejét. 2 Válassza a Drivers & Downloads (Illesztőprogramok és letöltések) lehetőséget, majd kattintson a Go (Ugrás) gombra. 3 Kattintson az Ön által használt operációs rendszerre, majd keressen rá a <i>Desktop System Software</i> kulcsszóra. <p>MEGJEGYZÉS: A support.dell.com felhasználói felület a választásától függően változhat.</p>

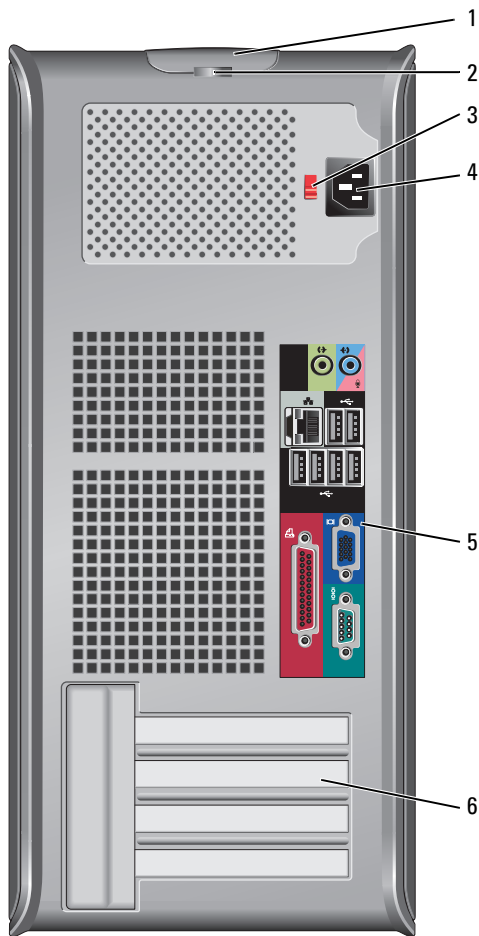
A rendszer nézetei

Mini torony számítógép – előnézet



- | | | |
|----|---------------------------------|--|
| 1 | 5,5 hüvelykes meghajtótér | Tartalmazhat egy optikai meghajtót. Ebbe a meghajtóba CD- vagy DVD-lemezt (ha támogatott) helyezhet. |
| 2 | 5,5 hüvelykes meghajtótér | Tartalmazhat egy optikai meghajtót. Ebbe a meghajtóba CD- vagy DVD-lemezt (ha támogatott) helyezhet. |
| 3 | 3,5 hüvelykes meghajtótér | Tartalmazhat egy opcionális hajlékonylemezes meghajtót vagy opcionális adathordozó kártyaolvasót. |
| 4 | USB 2.0 csatlakozók (2 db) | <p>Az alkalmanként csatlakoztatott eszközökhöz, pl. joystickhez vagy kamerához, valamint a rendszerindító USB-eszközökhöz használja az elülső USB-csatlakozókat (az USB-eszközlől történő rendszerindításról részletesebben az on-line <i>Felhasználói kézikönyvben</i> olvashat).</p> <p>A hátsó USB-aljzatokba javasoljuk a tipikusan bekötve maradó eszközöket, pl. nyomtatót, billentyűzetet csatlakoztatni.</p> |
| 5 | LAN visszajelző | Ez a fény jelzi az LAN (Local Area Network, helyi hálózat) kapcsolat létrejöttét. |
| 6 | állapotjelző fények | A visszajelzők diagnosztikai kód segítségével könnyítik meg a hibakeresést a számítógépen. További információkért lásd: „Diagnosztikai visszajelzők“ 296. oldal. |
| 7 | tápellátás gomb | <p>Ezzel a gombbal kapcsolható be a számítógép.</p> <p> FIGYELMEZTETÉS: Az adatvesztés elkerülése érdekében soha ne kapcsolja ki a számítógépet a tápellátás gombbal. Inkább az operációs rendszert állítsa le. További információkért lásd: „Első lépések“ 271. oldal.</p> <p> FIGYELMEZTETÉS: Ha az operációs rendszer támogatja az ACPI módot, a bekapcsoló gomb megnyomására a számítógép szabályos rendszerleállítás végez.</p> |
| 8 | üzemjelző fény | <p>A bekapcsolásjelző fény felvillan, majd villogni kezd vagy folyamatosan világít a különböző működési üzemmódok jelzésére:</p> <ul style="list-style-type: none"> • Nem világít – A számítógép kikapcsolt állapotban van. • Folyamatos zöld – A számítógép normál üzemben van. • Villogó zöld – A számítógép energiatakarékos üzemmódban van • Villogó vagy folyamatos sárga fény – lásd az on-line <i>Felhasználói kézikönyvet</i>. <p>Az energiatakarékos üzemmódból való kilépéshez nyomja meg a bekapcsoló gombot, esetleg használja a billentyűzetet vagy az egeret, ha azt „ébresztő” eszközként konfigurálta a Windows eszközközkezelőjében. A hibernált üzemmóddal és az energiatakarékos üzemmódból való kilépéssel kapcsolatos további információkat lásd az on-line <i>Felhasználói kézikönyvben</i>.</p> <p>Lásd „Rendszer-fényjelzések“ 295. oldal a visszajelzők diagnosztikai kódjaival kapcsolatos további információkért, amelyek segítenek a számítógéppel kapcsolatos hibakeresésben.</p> |
| 9 | merevlemez meghajtó üzemjelzője | A visszajelző fénye villog, ha a merevlemez használatban van. |
| 10 | fejhallgató-csatlakozó | A fejhallgató és a legtöbb számítógép-hangszóró a fejhallgató csatlakozóaljzattal csatlakoztatható. |
| 11 | a mikrofon csatlakozója | Mikrofon csatlakoztatásához használja a mikrofon csatlakozóaljzatot. |

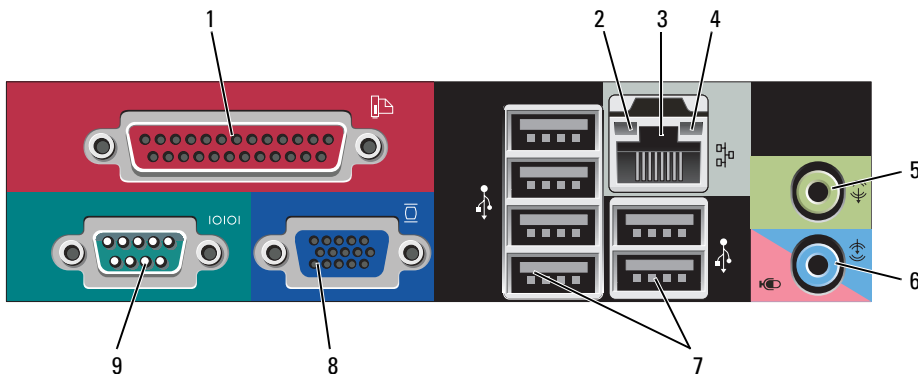
Mini torony számítógép – hátulnézet



- 1 burkolat-kiengedő kar Ezzel a karral nyitható ki a számítógép háza.
- 2 lakattartó gyűrű A számítógép burkolatának lezárásához használjon lakatot.

- | | | |
|---|------------------------------------|--|
| 3 | feszültségállító kapcsoló | <p>Számítógépe manuális feszültségválasztó kapcsolóval van ellátva.</p> <p>A manuális feszültségválasztó kapcsolóval rendelkező számítógépek károsodásának elkerülése érdekében kapcsolja a lakóhelyén elérhető hálózati feszültséghez legközelebb eső értékre a kapcsolót.</p> <p>➡ FIGYELMEZTETÉS: Japánban a feszültségválasztó kapcsolót a 115 V-os helyzetbe kell állítani, annak ellenére, hogy Japánban 100 V a hálózati feszültség.</p> <p>Emellett győződjön meg arról is, hogy a monitor és a csatlakozó eszközök is alkalmasak a lakóhelyén elérhető hálózati feszültségen való működésre.</p> |
| 4 | tápfeszültség-csatlakozó | Dugja be a tápkábelt. |
| 5 | a hátlapon elhelyezett csatlakozók | Dugja be a soros-, USB- és egyéb eszközöket a megfelelő csatlakozókba (lásd „Mini torony számítógép – hátlapi csatlakozók“ 257. oldal). |
| 6 | kártyanyílások | Itt található a telepített PCI és PCI Express bővítőkártyák csatlakozói. |

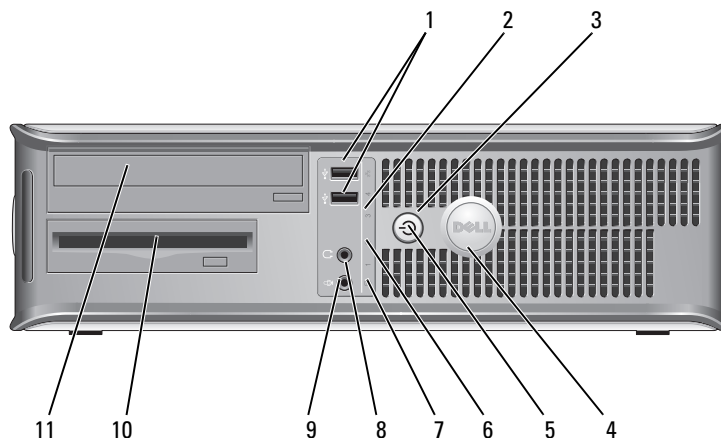
Mini torony számítógép – hátlapi csatlakozók



- | | | |
|---|-----------------------------------|--|
| 1 | párhuzamos csatlakozó | <p>Csatlakoztassa a párhuzamos csatlakozóval rendelkező eszközöket – például a nyomtatót – a párhuzamos csatlakozóaljzatba. Ha USB-nyomtatót használ, azt az USB-aljzatba csatlakoztassa.</p> <p>MEGJEGYZÉS: Az integrált párhuzamos csatlakozót automatikusan letiltja a rendszer, ha a számítógép egy ugyanarra a címre konfigurált, párhuzamos csatlakozóaljzatot tartalmazó telepített kártyát érzékel. További tudnivalók: az on-line Felhasználói kézikönyvben.</p> |
| 2 | kapcsolat integritását jelző fény | <ul style="list-style-type: none"> • Zöld – A 10 Mbps hálózat és a számítógép között megfelelő a kapcsolat. • Narancssárga – a 100 Mbps hálózat és a számítógép között megfelelő a kapcsolat. • Sárga – Az 1-Gbps (vagy 1000-Mbps) hálózat és a számítógép között megfelelő a kapcsolat. • Kikapcsolva – A számítógép nem észlel fizikai kapcsolatot a hálózattal. |

- 3 hálózati adapter csatlakozó
- A számítógép hálózatba vagy szélessávú eszközbe történő bekötéséhez a hálózati kábel egyik végét csatlakoztassa a hálózatban egy hálózati aljzatba vagy a szélessávú eszközbe. A hálózati kábel másik végét csatlakoztassa a számítógép hátlapján található hálózati adapterbe. Kattanás jelzi, ha a hálózati kábel megfelelően van csatlakoztatva.
- MEGJEGYZÉS:** Ne csatlakoztasson telefonkábel a számítógép hálózati aljzatába.
- Hálózati csatlakozókártyával felszerelt számítógépeknél használja a kártyán lévő csatlakozót.
- A hálózathoz javasoljuk a Category 5 kábelek és aljzatok használatát. Ha valamiért Category 3 kábelezést kénytelen használni, a megbízható működés érdekében korlátozza a hálózat sebességét 10 Mbps-ra.
- 4 a hálózat üzemjelzője
- Amikor a számítógép hálózati adatokat küld vagy fogad, a sárga fény villog. Nagy adatforgalom esetén a fény folyamatossá is válhat.
- 5 a vonali kimenet csatlakozója
- A zöld színű kimeneti aljzatba csatlakoztatható a legtöbb integrált erősítőrendszerű hangszóró.
- 6 vonal bemeneti/mikrofon csatlakozó
- A kék/rózsaszínű vonal bemeneti/mikrofon csatlakozókat hangrögzítő/lejátszó készülékek, pl. magnó, CD-lejátszó vagy VCR csatlakoztatásához használhatja vagy csatlakoztathatja egy személyi számítógép mikrofonját hang vagy zene beviteléhez hang- vagy telefonos programok használatakor.
- 7 USB 2.0 csatlakozók (6 db)
- A hátsó USB-aljzatokba az általában bekötve maradó eszközöket (például nyomtatót, billentyűzetet) javasoljuk csatlakoztatni.
- 8 monitorcsatlakozó
- Csatlakoztassa VGA-kompatibilis monitora kábelét a kék aljzatba.
- MEGJEGYZÉS:** Ha opcionális videokártyát is vásárolt, ezt az aljzatot védőkupak fedi. Csatlakoztassa a monitort a videokártyába. Ne távolítsa el a kupakot.
- MEGJEGYZÉS:** Ha két monitort támogató videokártyával rendelkezik, használja a számítógéphez mellékelt y-kábelt.
- 9 soros csatlakozó
- A soros portba soros eszközt, például kézisámítógépet csatlakoztathat. Az 1. számú soros csatlakozó alapértelmezett elnevezése COM1, a 2. számú pedig COM2.
- További tudnivalókat az on-line *Felhasználói kézikönyvben* talál.

Asztali számítógép – előlnézet



- 1 USB 2.0 csatlakozók (2 db)

Az alkalmanként csatlakoztatott eszközökhöz, pl. joystickhez vagy kamerához, valamint a rendszerindító USB eszközökhöz használja az elülső USB-csatlakozókat (az USB-eszközről történő rendszerindításról részletesebben az on-line *Felhasználói kézikönyvben* olvashat).

A hátsó USB-aljzatokba javasoljuk a tipikusan bekötve maradó eszközöket, pl. nyomtatót, billentyűzetet csatlakoztatni.
- 2 LAN visszajelző

Ez a fény jelzi az LAN (Local Area Network, helyi hálózat) kapcsolat létrejöttét.
- 3 tápellátás gomb

Ezzel a gombbal kapcsolható be a számítógép.

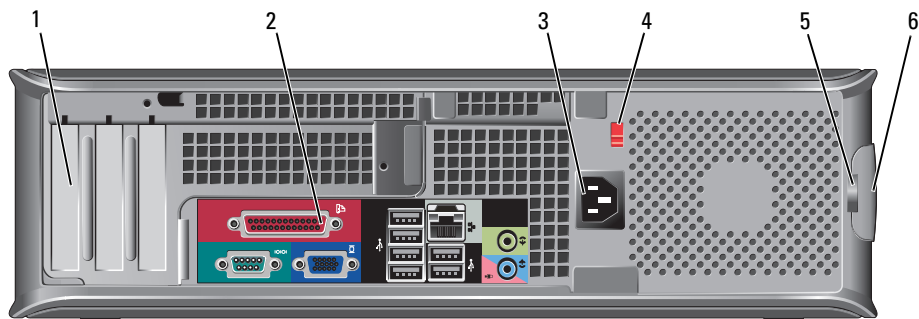
➔ **FIGYELMEZTETÉS:** Az adatvesztés elkerülése érdekében soha ne kapcsolja ki a számítógépet a tápellátás gombbal. Inkább az operációs rendszert állítsa le. További információkért lásd: „Első lépések” 271. oldal.

➔ **FIGYELMEZTETÉS:** Ha az operációs rendszer támogatja az ACPI módot, a bekapcsoló gomb megnyomására a számítógép szabályos rendszerleállítását végez.
- 4 Dell embléma

Az embléma elforgatható, hogy a számítógéphez elhelyezésétől függetlenül mindig megfelelően álljon. Elforgatáshoz helyezze ujjait az embléma külső szélére, nyomja meg határozottan, majd fordítsa el az emblémát. Az emblémát az aljánál található hornyot használva is elforgathatja.

- 5 üzemjelző fény A visszajelző a különböző üzemállapotokat villogással vagy folyamatos fénnel jelzi:
- Nem világít – a számítógép kikapcsolt állapotban van.
 - Folyamatos zöld – a számítógép normál üzemben van.
 - Villogó zöld – a számítógép energiatakarékos üzemmódban van.
 - Villogó vagy folyamatos borostyánsárga – lásd az on-line *Felhasználói kézikönyvet*.
- Az energiatakarékos üzemmódból való kilépéshez nyomja meg a bekapcsoló gombot, esetleg használja a billentyűzetet vagy az egeret, ha azt „ébresztő” eszközként konfigurálta a Windows eszközekezelőjében. A hibernált üzemmóddal és az energiatakarékos üzemmódból való kilépéssel kapcsolatos további információkat lásd: az on-line *Felhasználói kézikönyben*.
- Lásd „Rendszer-fényjelzések” 295. oldal a visszajelzők diagnosztikai kódjaival kapcsolatos további információkért, amelyek segítenek a számítógéppel kapcsolatos hibakeresésben.
- 6 állapotjelző fények A visszajelzők diagnosztikai kód segítségével könnyítik meg a hibakeresést a számítógépen. További tudnivalók: „Diagnosztikai visszajelzők” 296. oldal.
- 7 merevlemez meghajtó üzemjelzője A visszajelző fénye villog, ha a merevlemez használatban van.
- 8 fejhallgató-csatlakozó A fejhallgató és a legtöbb számítógép-hangszóró a fejhallgató csatlakozóaljzattal csatlakoztatható.
- 9 a mikrofon csatlakozója Mikrofon csatlakoztatásához használja a mikrofon csatlakozóaljzatot.
- 10 3,5 hüvelykes meghajtótér Tartalmazhat egy opcionális adathordozó kártyaolvasót.
- 11 5,25 hüvelykes meghajtótér Tartalmazhat egy optikai meghajtót. Ebbe a meghajtóba CD- vagy DVD-lemezt (ha támogatott) helyezhet.

Asztali számítógép – hátulnézet



- | | | |
|---|------------------------------------|---|
| 1 | kártyanyílások | Itt található a telepített PCI és PCI Express bővítőkártyák csatlakozói. |
| 2 | a hátlapon elhelyezett csatlakozók | Dugja be a soros-, USB- és egyéb eszközöket a megfelelő csatlakozókba (lásd „Asztali számítógép – Hátlapi csatlakozók“ 261. oldal). |
| 3 | tápfeszültség-csatlakozó | Dugja be a tápkábelt. |
| 4 | feszültségállító kapcsoló | |

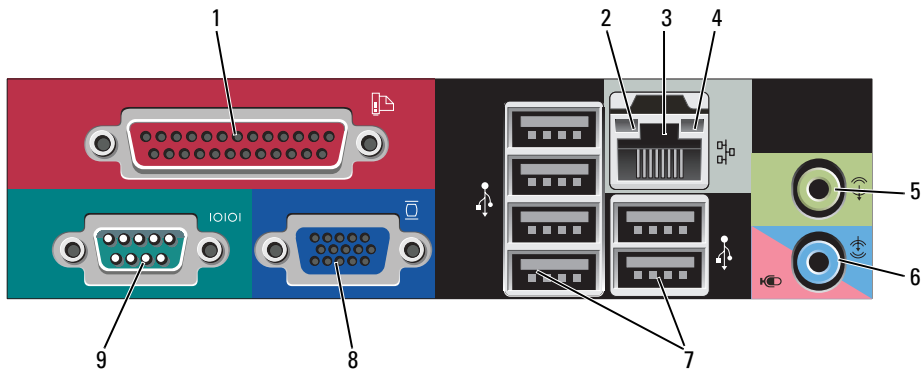
A számítógép sérülésének elkerülése érdekében állítsa a kapcsolót abba a pozícióba, amelyik a legközelebbi értéken áll a tartózkodási helyén található elektromos hálózat feszültségéhez.

FIGYELMEZTETÉS: Japánban a feszültségválasztó kapcsolót a 115 V-os helyzetbe kell állítani, annak ellenére, hogy Japánban 100 V a hálózati feszültség.

Emellett győződjön meg arról is, hogy a monitor és a csatlakozó eszközök is alkalmasak a lakóhelyén elérhető hálózati feszültségen való működésre.

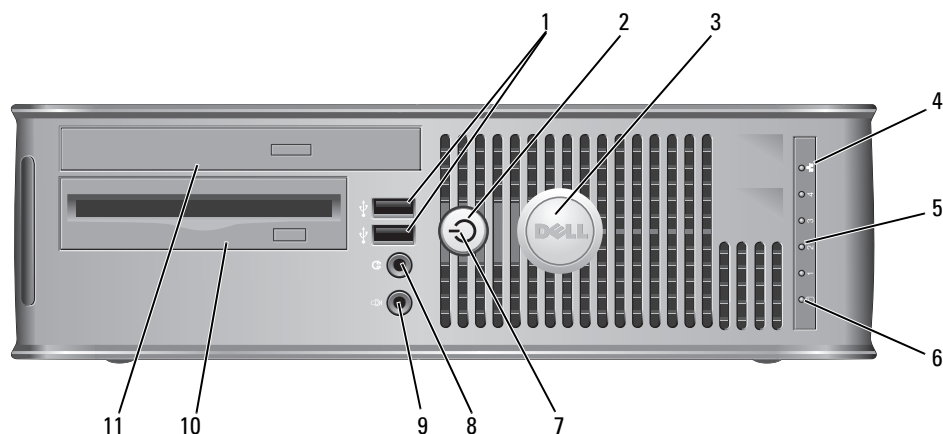
- | | | |
|---|-----------------------|---|
| 5 | lakattartó gyűrű | A számítógép burkolatának lezárásához használjon lakatot. |
| 6 | burkolat kiengedő kar | Ezzel a karral nyithatja ki a számítógépházat. |

Asztali számítógép – Hátlapi csatlakozók



- 1 párhuzamos csatlakozó Csatlakoztassa a párhuzamos csatlakozóval rendelkező eszközöket – például a nyomtatót – a párhuzamos csatlakozóaljzatba. Ha USB-nyomtatót használ, azt az USB-aljzatba csatlakoztassa.
MEGJEGYZÉS: Az integrált párhuzamos csatlakozót automatikusan letiltja a rendszer, ha a számítógép egy ugyanarra a címre konfigurált, párhuzamos csatlakozóaljzatot tartalmazó telepített kártyát érzékel. További tudnivalók: az on-line *Felhasználói kézikönyvben*.
- 2 kapcsolat integritását jelző fény
- Zöld – a 10 Mbps hálózat és a számítógép között megfelelő a kapcsolat.
 - Narancssárga – a 100 Mbps hálózat és a számítógép között megfelelő a kapcsolat.
 - Sárga – az 1-Gbps (vagy 1000-Mbps) hálózat és a számítógép között megfelelő a kapcsolat.
 - Kikapcsolva – a számítógép nem észlel fizikai kapcsolatot a hálózattal.
- 3 hálózati adapter csatlakozó A számítógép hálózatba vagy szélessávú eszközbe történő bekötéséhez a hálózati kábel egyik végét csatlakoztassa a hálózatban egy hálózati aljzatba vagy a szélessávú eszközbe. A hálózati kábel másik végét csatlakoztassa a számítógép hátlapján található hálózati adapterbe. Kattanás jelzi, ha a hálózati kábel megfelelően csatlakoztatva lett.
MEGJEGYZÉS: Ne csatlakoztasson telefonkábel a számítógép hálózati aljzatába.
Hálózati csatlakozókártyával felszerelt számítógépeknél használja a kártyán lévő csatlakozót.
A hálózathoz javasoljuk a Category 5 kábelek és aljzatok használatát. Ha valamiért Category 3 kábeleztést kénytelen használni, a megbízható működés érdekében korlátozza a hálózat sebességét 10 Mbps-ra.
- 4 a hálózat üzemjelzője Amikor a számítógép hálózati adatokat küld vagy fogad, a sárga fény villog. Nagy adatforgalom esetén a fény folyamatos is válhat.
- 5 a vonali kimenet csatlakozója A zöld színű kimeneti csatlakozón csatlakoztatható a legtöbb integrált erősítőrendszerű hangszóró.
- 6 vonal bemeneti/mikrofon csatlakozó A kék/rózsaszínű vonal bemeneti/mikrofon csatlakozókat hangrögzítő/lejátszó készülékek, pl. magnó, CD-lejátszó vagy VCR csatlakoztatásához használhatja, vagy csatlakoztathatja egy személyi számítógép mikrofonját hang vagy zene beviteléhez hang- vagy telefonos programok használatakor.
- 7 USB 2.0 csatlakozók (6 db) A hátsó USB-aljzatokba az általában bekötve maradó eszközöket (például nyomtatót, billentyűzetet) javasoljuk csatlakoztatni.
- 8 monitorcsatlakozó Csatlakoztassa VGA-kompatibilis monitora kábelét a kék aljzatba.
MEGJEGYZÉS: Ha opcionális videokártyát is vásárolt, ezt az aljzatot védőkupak fedi. Csatlakoztassa a monitort a videokártyába. Ne távolítsa el a kupakot.
MEGJEGYZÉS: Ha két monitort támogató videokártyával rendelkezik, használja a számítógéphez mellékelt y-kábelt.
- 9 soros csatlakozó A soros portba soros eszközt, például kézisámítógépet csatlakoztathat. Az 1. számú soros csatlakozó alapértelmezett elnevezése COM1, a 2. számúé pedig COM2.
További tudnivalókat az on-line *Felhasználói kézikönyvben* talál.

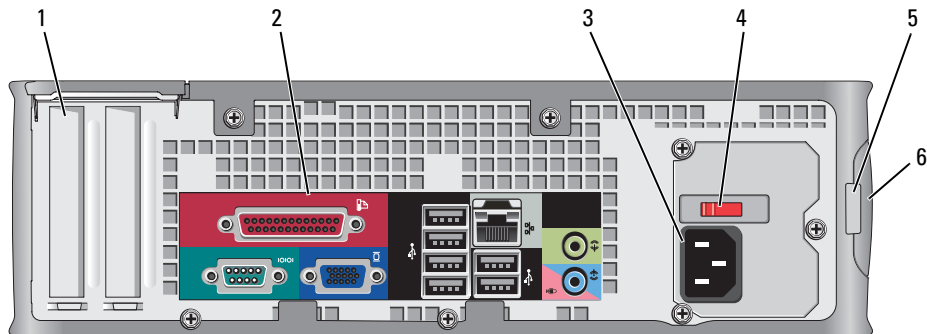
Kis formatényezőjű számítógép – előlázat



- 1 USB 2.0 csatlakozók (2 db)** Az alkalmanként csatlakoztatott eszközökhöz, pl. joystickhez vagy kamerához, valamint a rendszerindító eszközökhöz, használja az elülső USB-csatlakozókat (az USB-eszközről történő rendszerindításról részletesebben az on-line *Felhasználói kézikönyvben* olvashat).
A hátsó USB aljzatokba javasoljuk a tipikusan bekötve maradó eszközöket, pl. nyomtatót, billentyűzetet csatlakoztatni.
- 2 tápellátás gomb** Nyomja meg a számítógép kikapcsolásához.
➔ FIGYELMEZTETÉS: Az adatvesztés elkerülése érdekében soha ne kapcsolja ki a számítógépet a tápellátás gombbal. Inkább az operációs rendszert állítsa le. További információkért lásd: „Első lépések” oldalon 271
➔ FIGYELMEZTETÉS: Ha az operációs rendszer támogatja az ACPI módot, a bekapcsoló gomb megnyomására a számítógép szabályos rendszerleállítást végez.
- 3 Dell embléma** Forgatható, a számítógép megfelelő tájolásának beállításához. Elforgatáshoz helyezze ujjait az embléma külső szélére, nyomja meg határozottan, majd fordítsa el az emblémát. Az emblémát az aljánál található hornyot használva is elforgathatja.
- 4 LAN visszajelző** Ez a fény jelzi az LAN (Local Area Network, helyi hálózat) kapcsolat létrejöttét.
- 5 állapotjelző fények** A visszajelzők diagnosztikai kód segítségével könnyítik meg a hibakeresést a számítógépen. További információkért lásd: „Diagnosztikai visszajelzők” 296. oldal.
- 6 merevlemez visszajelző fény** A visszajelző fény villog, ha a merevlemez használatban van.

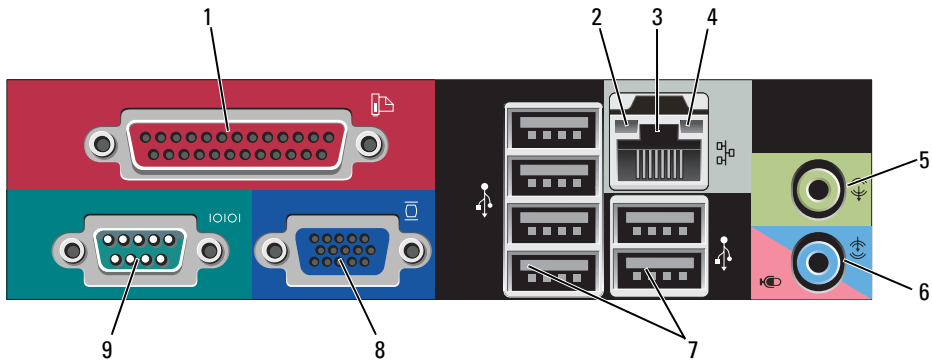
- 7 üzemjelző fény A visszajelző a különböző üzemállapotokat villogással vagy folyamatos fénnel jelzi:
- Nem világít – A számítógép kikapcsolt állapotban van.
 - Folyamatos zöld – A számítógép normál üzemben van.
 - Villogó zöld – A számítógép energiatakarékos üzemben van.
 - Villogó vagy folyamatos borostyánsárga fény – Lásd az on-line *Felhasználói kézikönyvben*.
- Az energiatakarékos üzemmódból való kilépéshez nyomja meg a bekapcsoló gombot, esetleg használja a billentyűzetet vagy az egeret, ha azt „ébresztő” eszközként konfigurálta a Windows eszközkonzoljében. A hibernált üzemmóddal és az energiatakarékos üzemmódból való kilépéssel kapcsolatos további információkat lásd: az on-line *Felhasználói kézikönyvben*.
- Lásd „Rendszer-fényjelzések” 295. oldal a fényjelzések leírását, melyek segítségével lehetnek számítógépe hibaelhárításában.
- 8 fejhallgató-csatlakozó A fejhallgató és a legtöbb számítógép-hangszóró a fejhallgató csatlakozóaljzattal csatlakoztatható.
- 9 a mikrofon csatlakozója Mikrofon csatlakoztatásához használja a mikrofon csatlakozóaljzatot.
- 10 3,5 hüvelykes meghajtótér Tartalmazhat egy opcionális hajlékonylemez meghajtót vagy opcionális adathordozó kártyaolvasót.
- 11 5,25 hüvelykes meghajtótér. Tartalmazhat egy optikai meghajtót. Ebbe a meghajtóba CD- vagy DVD-lemezt (ha támogatott) helyezhet.

Kis formatényezőjű számítógép – Hátulnézet



- | | | |
|---|------------------------------------|--|
| 1 | kártyanyílások | Itt található a telepített PCI és PCI Express bővítőkártyák csatlakozói. |
| 2 | a hátlapon elhelyezett csatlakozók | Dugja be a soros-, USB- és egyéb eszközöket a megfelelő csatlakozókba (lásd „Kis formatényezőjű számítógép – hátlapi csatlakozók“ 265. oldal). |
| 3 | tápfeszültség-csatlakozó | Dugja be a tápkábelt. |
| 4 | feszültségállító kapcsoló | Számítógépe manuális feszültségválasztó kapcsolóval van ellátva.
A számítógép sérülésének elkerülése érdekében állítsa a kapcsolót abba a pozícióba, amelyik a legközelebbi értéken áll a tartózkodási helyén található elektromos hálózat feszültségéhez. |
| | | <p>➔ FIGYELMEZTETÉS: Japánban a feszültségválasztó kapcsolót a 115 V-os helyzetbe kell állítani, annak ellenére, hogy Japánban 100 V a hálózati feszültség.</p> <p>Emellett győződjön meg arról is, hogy a monitor és a csatlakozó eszközök is alkalmasak a lakóhelyén elérhető hálózati feszültségen való működésre.</p> |
| 5 | lakattartó gyűrű | A számítógép burkolatának lezárásához használjon lakatot. |
| 6 | burkolatkioldó kar | Segítségével kinyithatja a számítógépházat. |

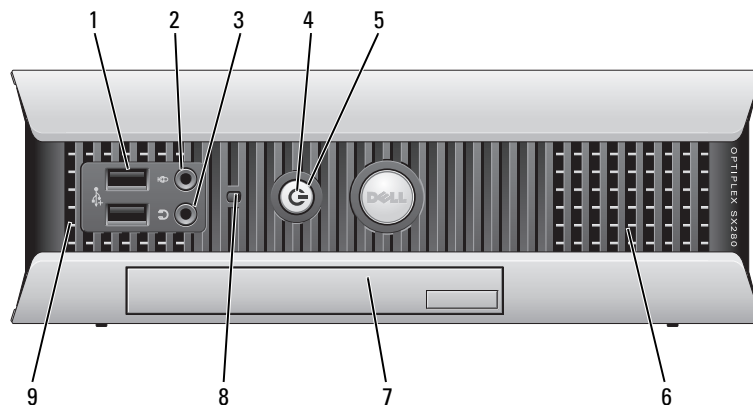
Kis formatényezőjű számítógép – hátlapi csatlakozók



- | | | |
|---|-----------------------------------|--|
| 1 | párhuzamos csatlakozó | <p>Csatlakoztassa a párhuzamos csatlakozóval rendelkező eszközöket – például a nyomtatót – a párhuzamos csatlakozóaljzatba. Ha USB-nyomtatót használ, azt az USB-aljzatba csatlakoztassa.</p> <p>MEGJEGYZÉS: Az integrált párhuzamos csatlakozót automatikusan letiltja a rendszer, ha a számítógép egy ugyanarra a címre konfigurált, párhuzamos csatlakozóaljzatot tartalmazó telepített kártyát érzékel. További tudnivalók: az on-line <i>Felhasználói kézikönyv</i>.</p> |
| 2 | kapcsolat integritását jelző fény | <ul style="list-style-type: none"> • Zöld – a 10 Mbps hálózat és a számítógép között megfelelő a kapcsolat. • Narancssárga – a 100 Mbps hálózat és a számítógép között megfelelő a kapcsolat. • Sárga – az 1-Gbps (vagy 1000-Mbps) hálózat és a számítógép között megfelelő a kapcsolat. • Kikapcsolva – a számítógép nem észlel fizikai kapcsolatot a hálózattal. |
| 3 | hálózati adapter csatlakozó | <p>A számítógép hálózatba vagy szélessávú eszközbe történő bekötéséhez a hálózati kábel egyik végét csatlakoztassa a hálózatban egy hálózati aljzatba vagy a szélessávú eszközbe. A hálózati kábel másik végét csatlakoztassa a számítógép hátlapján található hálózati adapterbe. Kattanás jelzi, ha a hálózati kábel megfelelően csatlakoztatva lett.</p> <p>MEGJEGYZÉS: Ne csatlakoztasson telefonkábel a számítógép hálózati aljzatába.</p> <p>Hálózati csatlakozókártyával felszerelt számítógépeknél használja a kártyán lévő csatlakozót.</p> <p>A hálózathoz javasoljuk a Category 5 kábelek és aljzatok használatát. Ha valamiért Category 3 kábeleztést kénytelen használni, a megbízható működés érdekében korlátozza a hálózat sebességét 10 Mbps-ra.</p> |
| 4 | a hálózat üzemjelzője | Amikor a számítógép hálózati adatokat küld vagy fogad, a sárga fény villog. Nagy adatforgalom esetén a fény folyamatosra is válhat. |
| 5 | a vonali kimenet csatlakozója | A zöld színű kimeneti aljzatba (integrált hangkártyával rendelkező számítógépeknél) csatlakoztatható a legtöbb integrált erősítőrendszerű hangszóró. |
| 6 | vonal bemeneti/mikrofon aljzat | A kék/rózsaszínű vonal bemeneti/mikrofon aljzatokat (integrált hangkártyával rendelkező számítógépeknél) hangrögzítő/lejátszó készülékek, pl. magnó, CD-lejátszó vagy VCR csatlakoztatásához használhatja, vagy csatlakoztathatja egy személyi számítógép mikrofonját hang vagy zene beviteléhez hang- vagy telefonos programok használatakor. |
| 7 | USB 2.0 csatlakozók (6 db) | A hátsó USB-aljzatokba az általában bekötve maradó eszközöket (például nyomtatót, billentyűzetet) javasoljuk csatlakoztatni. |

- 8 monitoresatlakozó Csatlakoztassa VGA-kompatibilis monitora kábelét a kék aljzatba.
MEGJEGYZÉS: Ha opcionális videokártyát is vásárolt, ezt az aljzatot védőkupak fedi. Csatlakoztassa a monitort a videokártyába. Ne távolítsa el a kupakot.
MEGJEGYZÉS: Ha két monitort támogató videokártyával rendelkezik, használja a számítógéphez mellékelt y-kábelt.
- 9 soros csatlakozó A soros portba soros eszközt, például kézisámítógépet csatlakoztathat. Az 1. számú soros csatlakozó alapértelmezett elnevezése COM1, a 2. számúé pedig COM2.
További tudnivalókat az on-line *Felhasználói kézikönyvben* talál.

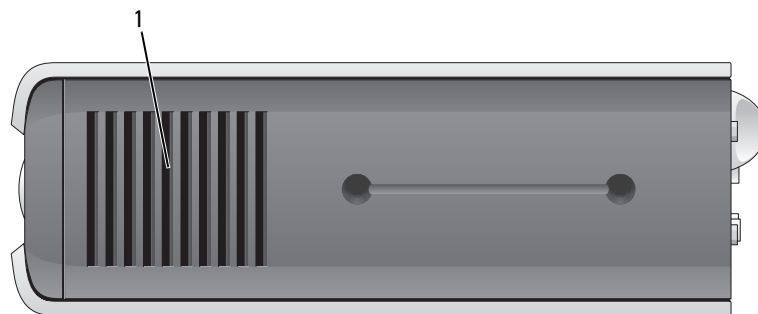
Ultra kis formatényezőjű számítógép – előlnézet



- 1 USB-csatlakozók (2) Az alkalmanként csatlakoztatott eszközökhöz, pl. joystickhez vagy kamerához, valamint a rendszerindító eszközökhöz használja az előlő USB-csatlakozókat (az USB-eszközről történő rendszerindításról részletesebben az on-line *Felhasználói kézikönyvben* olvashat).
A hátsó USB-aljzatokba javasoljuk a tipikusan bekötte maradó eszközöket, pl. nyomtatót, billentyűzetet csatlakoztatni.
- 2 fejhallgató-csatlakozó A fejhallgató és a legtöbb számítógép-hangszóró a fejhallgató csatlakozóaljzattal csatlakoztatható.
- 3 a mikrofon csatlakozója Mikrofon csatlakoztatásához használja a mikrofon csatlakozóaljzatot.

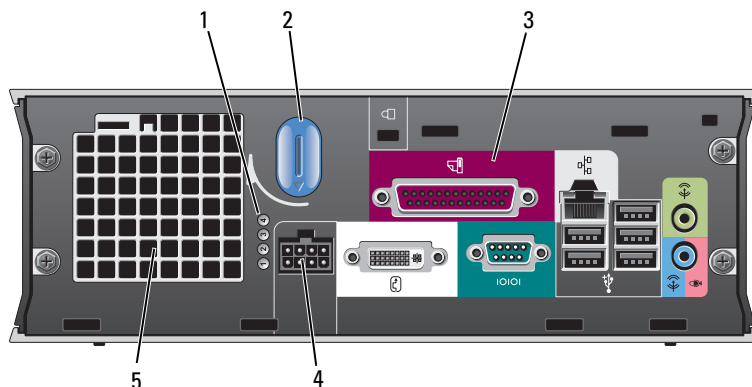
- 4 üzemjelző fény A bekapcsolásjelző fény felvillan és villog, vagy folyamatosan világít a számítógép különféle üzemmódjainak jelzésére:
- Sötét – A számítógép ki van kapcsolva.
 - Folyamatos zöld – a számítógép normál üzemben van.
 - Villogó zöld – a számítógép energiatakarékos üzemmódban van.
 - Villogó vagy folyamatos sárga – lásdaz on-line *Felhasználói kézikönyv*.
- Az energiatakarékos üzemmódból való kilépéshez nyomja meg a bekapcsoló gombot, esetleg használja a billentyűzetet vagy az egeret, ha azt „ébresztő” eszközként konfigurálta a Windows eszközekezelőjében. A hibernált üzemmóddal és az energiatakarékos üzemmódból való kilépéssel kapcsolatos további információkat lásd: az on-line *Felhasználói kézikönyv*.
- Lásd „Rendszer-fényjelzések” 295. oldal a visszajelzők diagnosztikai kódjaival kapcsolatos további információkért, amelyek segítenek a számítógéppel kapcsolatos hibakeresésben.
- 5 tápellátás gomb Ezzel a gombbal kapcsolható be a számítógép.
- ➡ FIGYELMEZTETÉS:** Az adatvesztés elkerülése érdekében soha ne kapcsolja ki a számítógépet a tápellátás gombbal. Inkább az operációs rendszert állítsa le. További információkért lásd: „Első lépések” oldalon 271
- 6 szellőzőnyílások A levegőnyílások védik a számítógépet a túlmelegedéstől. A megfelelő szellőzés érdekében ne zárja el ezeket a hűtő levegőnyílásokat.
- 7 moduldokkoló egység Szereljen be egy D-modulú optikai meghajtót, második merevlemezt vagy hajlékonylemezes meghajtót a meghajtótérbe.
- 8 merevlemez-elérés visszajelző A merevlemez-elérés visszajelző akkor világít, ha a számítógép adatokat olvas a merevlemezről vagy adatokat ír rá. A visszajelző a CD-lejátszó működését is jelezheti.
- 9 szellőzőnyílások A levegőnyílások védik a számítógépet a túlmelegedéstől. A megfelelő szellőzés érdekében ne zárja el ezeket a hűtő levegőnyílásokat.

Ultra kis formatényezőjű számítógép – Oldalnézet



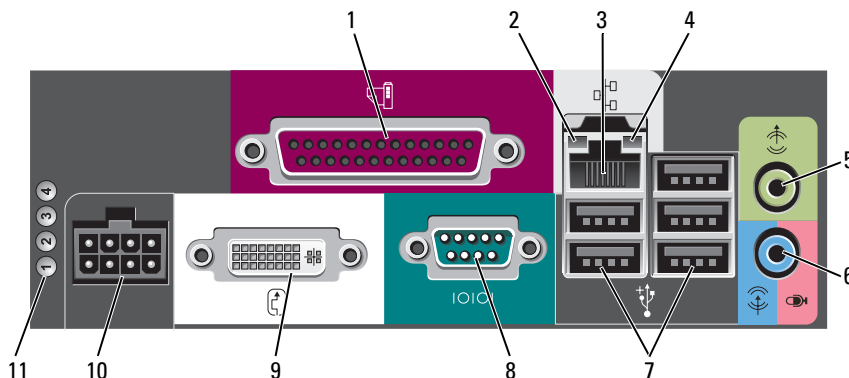
- 1 szellőzőnyílások A számítógép oldalain kialakított levegőnyílások védik a számítógépet a túlmelegedéstől. A megfelelő szellőzés érdekében ne zárja el ezeket a hűtő levegőnyílásokat.

Ultra kis formatényezőjű számítógép – hátulnézet



- | | | |
|---|------------------------------------|--|
| 1 | állapotjelző fények | Lásd „Diagnosztikai visszajelzők“ 296. oldal a visszajelzők diagnosztikai kódjaival kapcsolatos további információért, amelyek segítenek a számítógéppel kapcsolatos hibakeresésben. |
| 2 | számítógép burkolatnyitó gomb | A burkolat levételéhez fordítsa el ezt a gombot az óramutató járásával megegyező irányba. |
| 3 | a hátlapon elhelyezett csatlakozók | A számítógép csatlakozói (lásd „Ultra kis formatényezőjű számítógép – hátlapi csatlakozók“ 269. oldal). |
| 4 | tápfeszültség-csatlakozó | Dugja be a tápkábelt. |
| 5 | szellőzőnyílások | A levegőnyílások védik a számítógépet a túlmelegedés ellen. A megfelelő szellőzés érdekében ne zárja el ezeket a hűtő levegőnyílásokat. |

Ultra kis formatényezőjű számítógép – hátlapi csatlakozók



- | | | |
|---|-----------------------|--|
| 1 | párhuzamos csatlakozó | Csatlakoztassa a párhuzamos csatlakozóval rendelkező eszközöket – például a nyomtatót – a párhuzamos csatlakozóaljzatba. Ha USB-nyomtatót használ, azt az USB-aljzatba csatlakoztassa. |
|---|-----------------------|--|

- | | | |
|----|------------------------------------|--|
| 2 | kapcsolat integritását jelző fény | <ul style="list-style-type: none"> • Zöld – a 10 Mbps hálózat és a számítógép között megfelelő a kapcsolat. • Narancssárga – a 100 Mbps hálózat és a számítógép között megfelelő a kapcsolat. • Sárga – az 1000-Mbps (1-Gbps) hálózat és a számítógép között megfelelő a kapcsolat. • Nem világít – A számítógép nem észlel fizikai kapcsolatot a hálózattal, vagy a hálózati controller a rendszer-beállításoknál ki lett kapcsolva. |
| 3 | hálózati adapter | <p>A számítógép hálózatba vagy szélessávú eszközbe történő bekötéséhez a hálózati kábel egyik végét csatlakoztassa a hálózatban egy hálózati aljzatba vagy a szélessávú eszközbe. A hálózati kábel másik végét csatlakoztassa a számítógép hátlapján található hálózati adapterbe. Kattanás jelzi, ha a hálózati kábel megfelelően csatlakoztatva lett.</p> <p>MEGJEGYZÉS: Ne csatlakoztasson telefonkábel a számítógép hálózati aljzatába.</p> <p>Hálózati csatlakozókártyával felszerelt számítógépeknél használja a kártyán lévő csatlakozót.</p> <p>A hálózathoz javasoljuk a Category 5 kábelek és aljzatok használatát. Ha valamiért Category 3 kábeleztést kénytelen használni, a megbízható működés érdekében korlátozza a hálózat sebességét 10 Mbps-ra.</p> |
| 4 | a hálózat üzemjelzője | A sárga visszajelző akkor villog, amikor a számítógép adatokat küld vagy fogad a hálózaton. Nagy adatforgalom esetén a fény folyamatos is válhat. |
| 5 | a vonali kimenet csatlakozója | A zöld színű aljzatba csatlakoztassa az aktív hangszórókat. |
| 6 | vonal bemeneti/mikrofon csatlakozó | A kék/rózsaszínű vonal bemeneti/mikrofon csatlakozókat hangrögzítő/lejátszó készülékek, pl. magnó, CD-lejátszó vagy VCR csatlakoztatásához használhatja, vagy csatlakoztathatja egy személyi számítógép mikrofonját hang vagy zene beviteléhez hang- vagy telefonos programok használatakor. |
| 7 | USB-csatlakozók (5) | A hátsó USB-aljzatokba az általában bekötve maradó eszközöket (például nyomtatót, billentyűzetet) javasoljuk csatlakoztatni. |
| 8 | soros csatlakozó | Ide csatlakoztathat soros kommunikációval kapcsolódó eszközt, például kézi számítógépet. |
| 9 | monitorcsatlakozó | <p>Ha rendelkezik DVI-kompatibilis monitorral, csatlakoztassa a monitor kábelét a hátlapon található fehér aljzatba.</p> <p>Ha VGA-monitort használ, olvassa el a „VGA-monitor csatlakoztatása” című részt a számítógép <i>Felhasználói kézikönyvében</i>.</p> |
| 10 | tápfeszültség-csatlakozó | Az adapter csatlakozóaljzata. |
| 11 | állapotjelző fények | Lásd „Diagnosztikai visszajelzők” 296. oldal a visszajelzők diagnosztikai kódjaival kapcsolatos további információkért, amelyek segítenek a számítógéppel kapcsolatos hibakeresésben. |

A számítógép burkolatának eltávolítása




VIGYÁZAT! Az ebben a részben ismertetett műveletek elvégzése előtt tanulmányozza a *Termékinformációs kézikönyv* biztonsági előírásait.



VIGYÁZAT! Az elektromos áramütés elkerülése érdekében a burkolat eltávolítása előtt mindig húzza ki a tápkábelt.

Első lépések


 **FIGYELMEZTETÉS:** Az adatvesztés elkerülése érdekében a számítógép kikapcsolása előtt mentsen és zárjon be minden megnyitott fájlt.


- 1 Állítsa le az operációs rendszert:
 - a Mentse és zárjon be minden megnyitott fájlt, lépjen ki minden megnyitott programból, kattintson a **Start** gombra, majd a **Számítógép kikapcsolása** elemre.
 - b A **Számítógép kikapcsolása** ablakban kattintson a **Kikapcsolás** elemre. Miután az operációs rendszer leállt, a számítógép kikapcsol.
- 2 Győződjön meg arról, hogy a számítógép és a csatlakoztatott eszközök kikapcsolt állapotban vannak. Ha a számítógép és a csatlakoztatott eszközök nem kapcsolódnak ki automatikusan az operációs rendszer leállításakor, kapcsolja ki azokat most.


Mielőtt elkezdené dolgozni a számítógép belsejében

Végezze el a következő óvintézkedéseket a számítógép potenciális károsodásának elkerülése és a saját biztonsága érdekében.

 **FIGYELMEZTETÉS!** Az ebben a részben ismertetett műveletek elvégzése előtt tanulmányozza a *Termékinformációs kézikönyv* előírásait.


 **FIGYELMEZTETÉS!** Bánjon óvatosan a komponensekkel és a kártyákkal. Ne érjen hozzá a kártyán lévő komponensekhez vagy érintkezőkhöz. A kártyát a szélénél vagy a fém szerelőkeretnél fogva tartsa. A komponenseket, például a mikroprocesszort a szélénél, ne az érintkezőknél fogva tartsa.

 **FIGYELMEZTETÉS:** A számítógépen csak hivatalos szakember végezhet javításokat. A Dell által nem jóváhagyott szerviztevékenységre a garanciavállalás nem vonatkozik.

 **FIGYELMEZTETÉS:** A kábelek kihúzásakor ne magát a kábelt, hanem a csatlakozót vagy a felszültségmentesítő hurkot húzza meg. Néhány kábel csatlakozója reteszelő kialakítással van ellátva; az ilyen kábelek eltávolításakor kihúzás előtt a retesz kioldófület meg kell nyomni. Miközben kihúzza, tartsa egyenesen a csatlakozódugót, hogy a csatlakozótűk ne görbüljenek el. A tápkábelek csatlakoztatása előtt ellenőrizze mindkét csatlakozódugó megfelelő helyzetét és beállítását.

A számítógép károsodásának elkerülése érdekében végezze el az alábbi műveleteket, mielőtt a számítógép belsejébe nyúl.

- 1 Kapcsolja ki a számítógépet.

 **FIGYELMEZTETÉS:** A hálózati kábel eltávolításához először húzza ki a kábelt a számítógépből, majd a fali aljzatból.

- 2 Húzza ki a telefon- vagy más telekommunikációs vezetéseket a számítógépből.
- 3 Húzza ki a számítógép és a csatlakozó eszközök tápkábelét, majd nyomja meg a bekapcsoló gombot az alaplap teszteléséhez.
- 4 Amennyiben rendelkezik számítógép-állvánnyal, távolítsa el azt (erre vonatkozó útmutatást az állvány kísérendokumentációjában talál).

 **FIGYELMEZTETÉS!** Az elektromos áramütés elkerülése érdekében a burkolat eltávolítása előtt mindig húzza ki a tápkábelt.

5 Szerelje le a számítógép burkolatát:

- Távolítsa el a minitorony számítógép burkolatát (lásd) „Mini torony számítógép“ 272. oldal.
- Távolítsa el az asztali számítógép burkolatát (lásd) „Asztali számítógép“ 273. oldal.
- Távolítsa el a kis formatényezőjű számítógép burkolatát (lásd „Kis formatényezőjű számítógép“ 274. oldal).
- Távolítsa el az ultra kis formatényezőjű számítógép borítóját (lásd „Ultra kis formatényezőjű számítógép“ oldalon 276).



FIGYELMEZTETÉS: Mielőtt bármihez is hozzányúlna a számítógép belsejében, földelje le saját testét egy festetlen fémfelület (például a számítógép hátulján lévő fémfelület) megérintésével. Munka közben időről időre érintsen meg egy festetlen fémfelületet, hogy levezesse az időközben felgyűlt sztatikus elektromosságot, ami károsíthatná a belső alkatrészeket.

Mini torony számítógép



VIGYÁZAT! Az ebben a részben ismertetett műveletek elvégzése előtt tanulmányozza a *Termékinformációs kézikönyv* biztonsági előírásait.

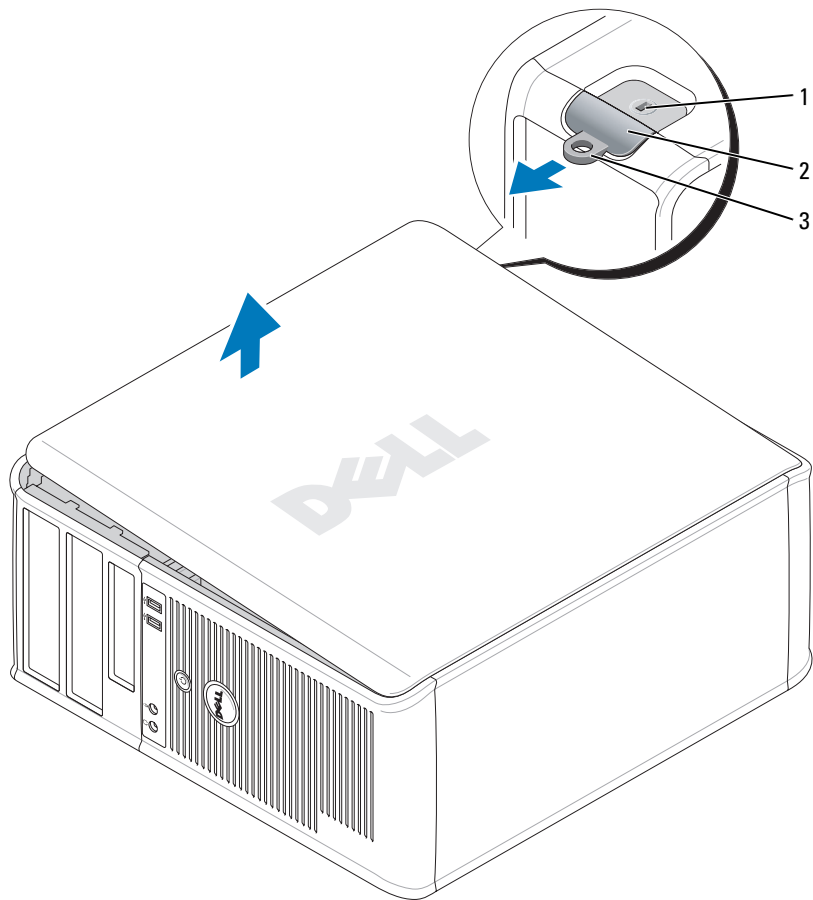


VIGYÁZAT! Az elektromos áramütés elkerülése érdekében a burkolat eltávolítása előtt mindig húzza ki a tápkábelt.

- 1 Kövesse a „Első lépések“ (271. oldal) című fejezetben olvasható utasításokat.
- 2 Döntse a számítógépet az oldalára, az ábrának megfelelő módon.
- 3 Keresse meg a borító kiengedő karját, az ábrán jelzett helyen. Csúsztassa a kart, miközben emeli a borítót.
- 4 Fogja meg a számítógép két oldalát, és hajtsa fel a fedelet a csuklópánt füleit használva forgáspontnak.
- 5 Vegye le a fedelet a csuklókról, és helyezze el oldalt egy puha, nem érdes felületen.



VIGYÁZAT! A grafikus kártya hűtőbordái nagyon felmelegedhetnek normál használat esetén. Hagyja a hűtőbordákat lehűlni, mielőtt megérintené azokat.



1 a biztonsági kábel
rögzítésére szolgáló nyílás

2 burkolatkioldó kar

3 lakattartó gyűrű

Asztali számítógép

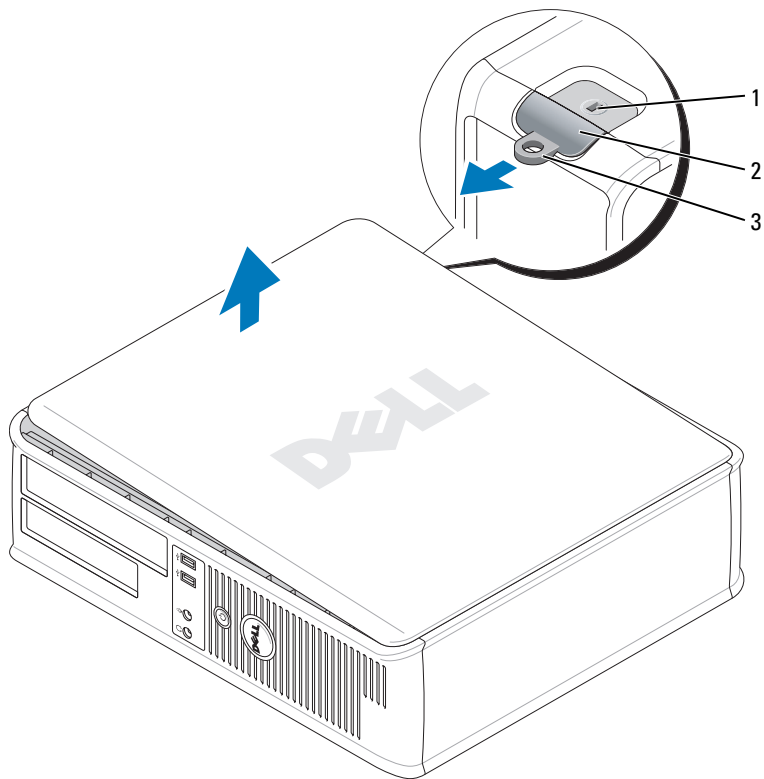
⚠ VIGYÁZAT! Az ebben a részben ismertetett műveletek elvégzése előtt tanulmányozza a *Termékinformációs kézikönyv* biztonsági előírásait.

⚠ VIGYÁZAT! Az elektromos áramütés elkerülése érdekében a burkolat eltávolítása előtt mindig húzza ki a tápkábelt.

- 1 Kövesse a „Első lépések“ oldalon 271 című fejezetben olvasható utasításokat.
- 2 Ha a hátlapon található zárógyűrűbe lakatot tett, távolítsa el a lakatot.

- 3 Keresse meg az alsó borító-kiengedő kart, az ábrán feltüntetett helyen. Csúsztassa vissza a kart, miközben emeli a borítót.
- 4 Fogja meg a számítógép két oldalát, és hajtsa fel a fedelet a csuklópánt füleit használva forgáspontnak.
- 5 Vegye le a fedelet a csuklókról, és helyezze el oldalt egy puha, nem érdes felületen.

⚠ VIGYÁZAT! A grafikus kártya hűtőbordái nagyon felmelegedhetnek normál használat esetén. Hagyja a hűtőbordákat lehűlni, mielőtt megérintené azokat.



1 a biztonsági kábel
rögzítésére szolgáló nyílás

2 burkolatkioldó kar

3 lakattartó gyűrű

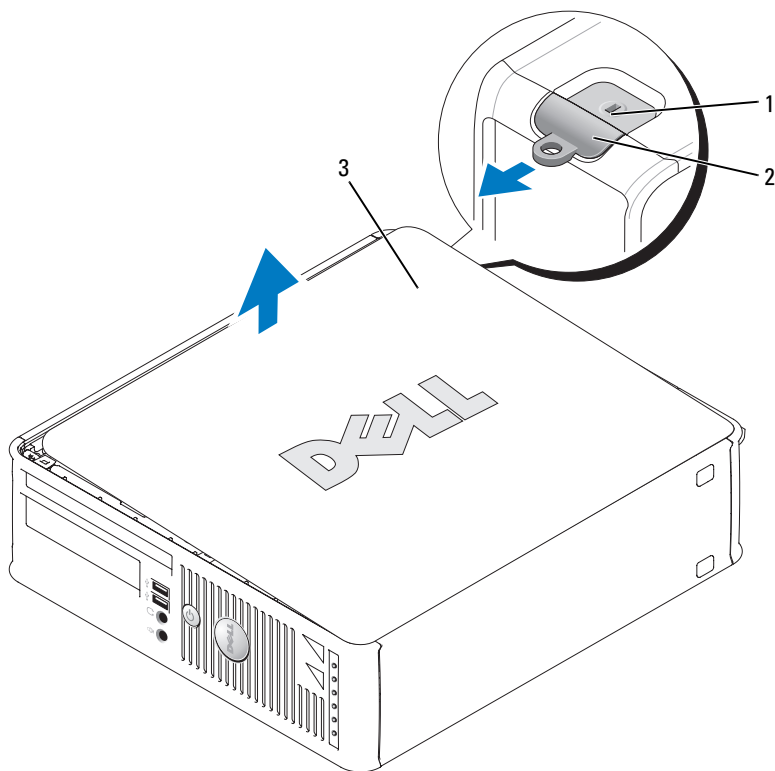
Kis formatényezőjű számítógép

⚠ VIGYÁZAT! Az ebben a részben ismertetett műveletek elvégzése előtt tanulmányozza a *Termékinformációs kézikönyv* biztonsági előírásait.

⚠ VIGYÁZAT! Az elektromos áramütés elkerülése érdekében a burkolat eltávolítása előtt mindig húzza ki a tápkábelt.

- 1 Kövesse a „Első lépések“ (271. oldal) című fejezetben olvasható utasításokat.
- 2 Ha a hátlapon található zárógyűrűbe lakatot tett, távolítsa el a lakatot.
- 3 Keresse meg a borító kiengedő karját, az ábrán jelzett helyen. Csúsztassa a kart, miközben emeli a borítót.
- 4 Fogja meg a számítógépház oldalait, és forgassa el a házat felfelé, az alsó sarokvasaktól emelve azt.
- 5 Vegye le a fedelet a csuklókról, és helyezze el oldalt egy puha, nem érdes felületen.

⚠ VIGYÁZAT! A grafikus kártya hűtőbordái nagyon felmelegedhetnek normál használat esetén. Hagyja a hűtőbordákat lehűlni, mielőtt megérintené azokat.



1 a biztonsági kábel
rögzítésére szolgáló nyílás

2 burkolatkioldó kar

3 számítógép-burkolat

Ultra kis formátényezőű számítógép

! **VIGYÁZAT!** Az ebben a részben ismertetett műveletek elvégzése előtt tanulmányozza a *Termékinformációs kézikönyv biztonsági előírásait*.

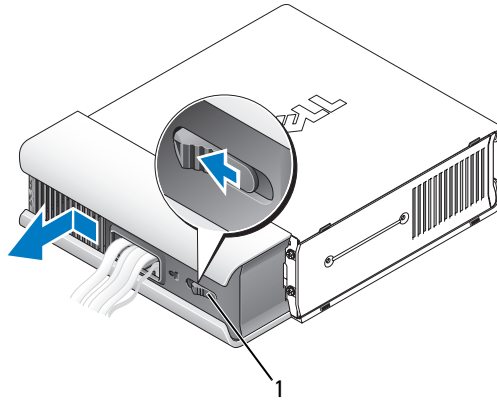
! **VIGYÁZAT!** Az elektromos áramütés elkerülése érdekében a burkolat eltávolítása előtt mindig húzza ki a tápkábelt.

1 Kövesse a „Első lépések“ (271. oldal) című fejezetben olvasható utasításokat.

➔ FIGYELMEZTETÉS: Mielőtt bármihez is hozzányúlna a számítógép belsejében, földelje le saját testét. Érintsen meg egy festetlen fémfelületet a számítógép hátulján. Munka közben időről időre érintsen meg egy festetlen fémfelületet, hogy levezze az időközben felgyűlt sztatikus elektromosságot, ami károsíthatná a belső alkatrészeket.

2 Szükség esetén távolítsa el a kábel borítását.

a Amennyiben a biztonsági kábel nyílásába biztonsági eszköz van bedugva, távolítsa el azt.



1 kioldógomb

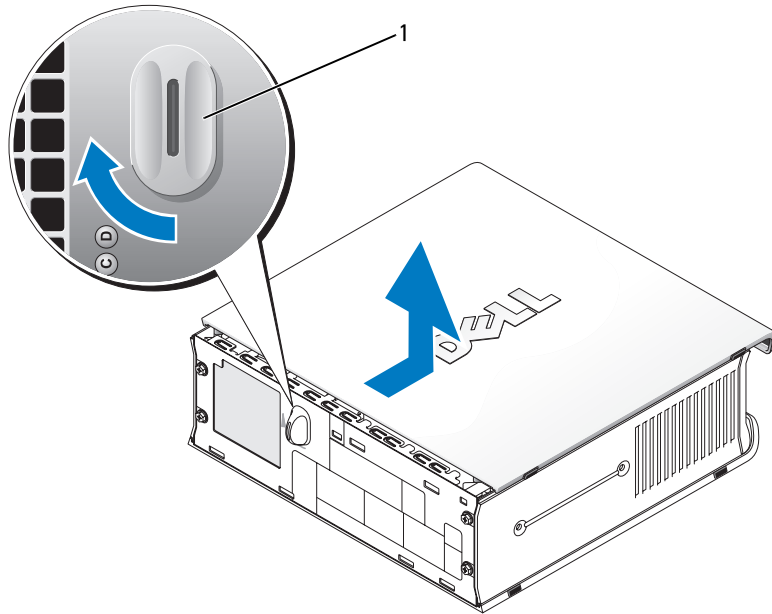
b Nyomja meg a kiengedő gombot, fogja meg a kábel borítóját és csúsztassa balra ütközésig, majd emelje fel és távolítsa el a borítót.

3 Szerelje le a számítógép burkolatát:

a Forgassa el jobbra a borító-kiengedő gombot az ábrán bemutatott módon.

b Csúsztassa a számítógép házat előre 1 centiméterrel (1/2 hüvelyk), vagy ütközésig, majd emelje meg a borítót.

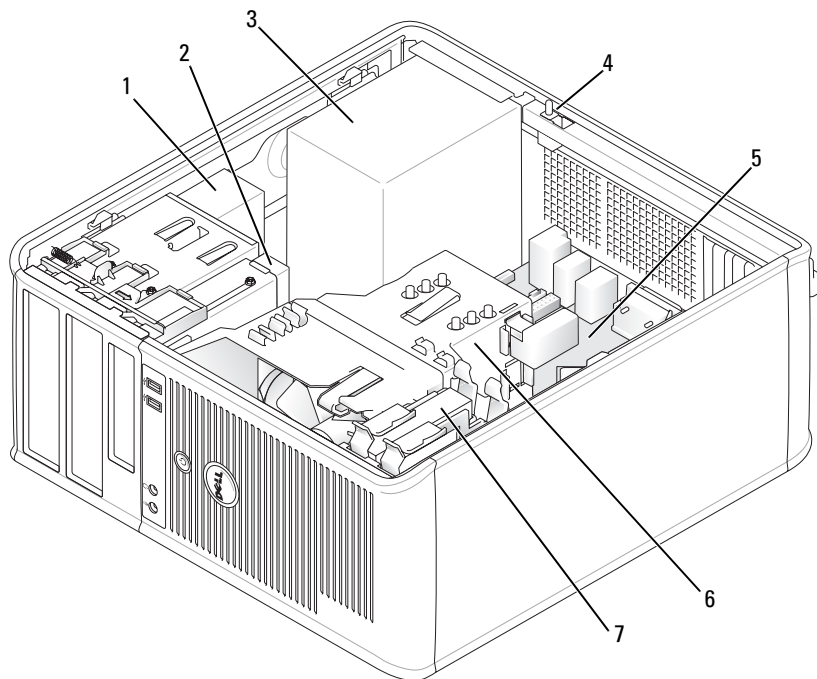
⚠ VIGYÁZAT! A grafikus kártya hűtőbordái nagyon felmelegedhetnek normál használat esetén. Hagyja a hűtőbordákat lehűlni, mielőtt megérintené azokat.



1 Kiengedő gomb

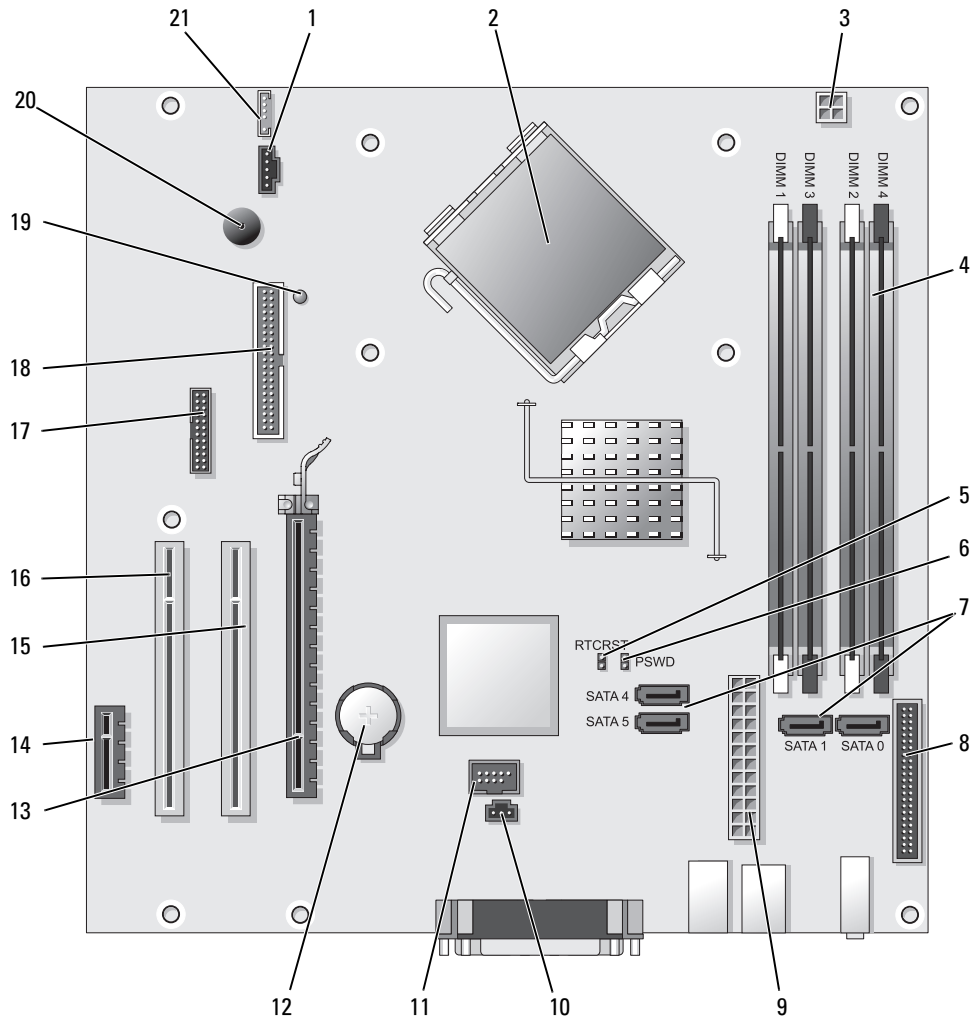
A számítógép belsejében

Mini torony számítógép



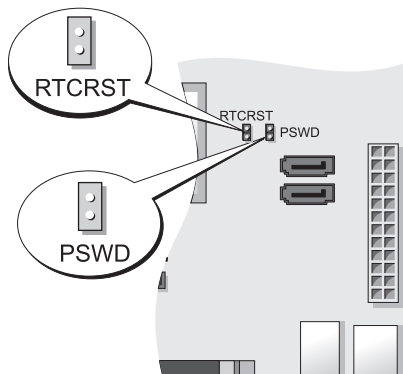
- | | | | | | |
|---|--|---|---|---|---------------------|
| 1 | optikai meghajtó | 2 | hajlékonylemez meghajtó
vagy adathordozó
kártyaolvasó | 3 | tápegység |
| 4 | opcionális szerelési váz
benyomó kapcsoló | 5 | alaplap | 6 | hűtőborda szerkezet |
| 7 | merevlemez | | | | |





Alaplapi alkatrészek



- | | | | |
|----|---|----|------------------------------------|
| 1 | ventilátorcsatlakozó (FAN) | 12 | elemfoglalat (BATT) |
| 2 | processzorcsatlakozó (CPU) | 13 | PCI Express x16 csatlakozó (SLOT1) |
| 3 | processzor tápcsatlakozója (12VPOWER) | 14 | PCI Express x1 csatlakozó (SLOT4) |
| 4 | memóriamodul csatlakozók (DIMM_1, DIMM_2, DIMM_3, DIMM_4) | 15 | PCI-csatlakozó (SLOT2) |
| 5 | RTC visszaállító áthidaló (RTCRST) | 16 | PCI-csatlakozó (SLOT3) |
| 6 | jelszóáthidaló (PSWD) | 17 | soros csatlakozó (SER2) |
| 7 | SATA meghajtó csatlakozók (SATA0, SATA1, SATA4, SATA5) | 18 | hajlékonylemez csatlakozó (DSKT) |
| 8 | előlap csatlakozó (FNT_PANEL) | 19 | energiatakarékos üzemmód |
| 9 | tápcsatlakozó (POWER) | 20 | rendszerlemez hangszóró (BEEP) |
| 10 | nyomógomb kapcsoló gomb (INTRUDER) | 21 | hangszóró csatlakozó (INT_SPKR) |
| 11 | belső USB (INTERNAL_USB) | | |

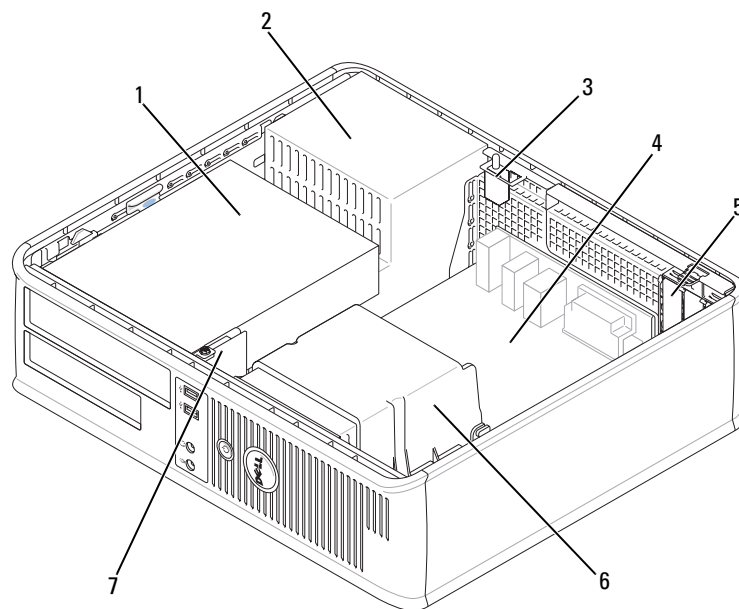
Áthidaló beállítások



Áthidaló	Beállítás	Leírás
PSWD		Jelszó-szolgáltatások engedélyezve (alapértelmezett beállítás).
		Jelszó-szolgáltatások letiltva.
RTC RST		A valós idejű óra visszaállítása nem történt meg.
		A valós idejű óra visszaállítása megtörtént (ideiglenesen áthidalva).

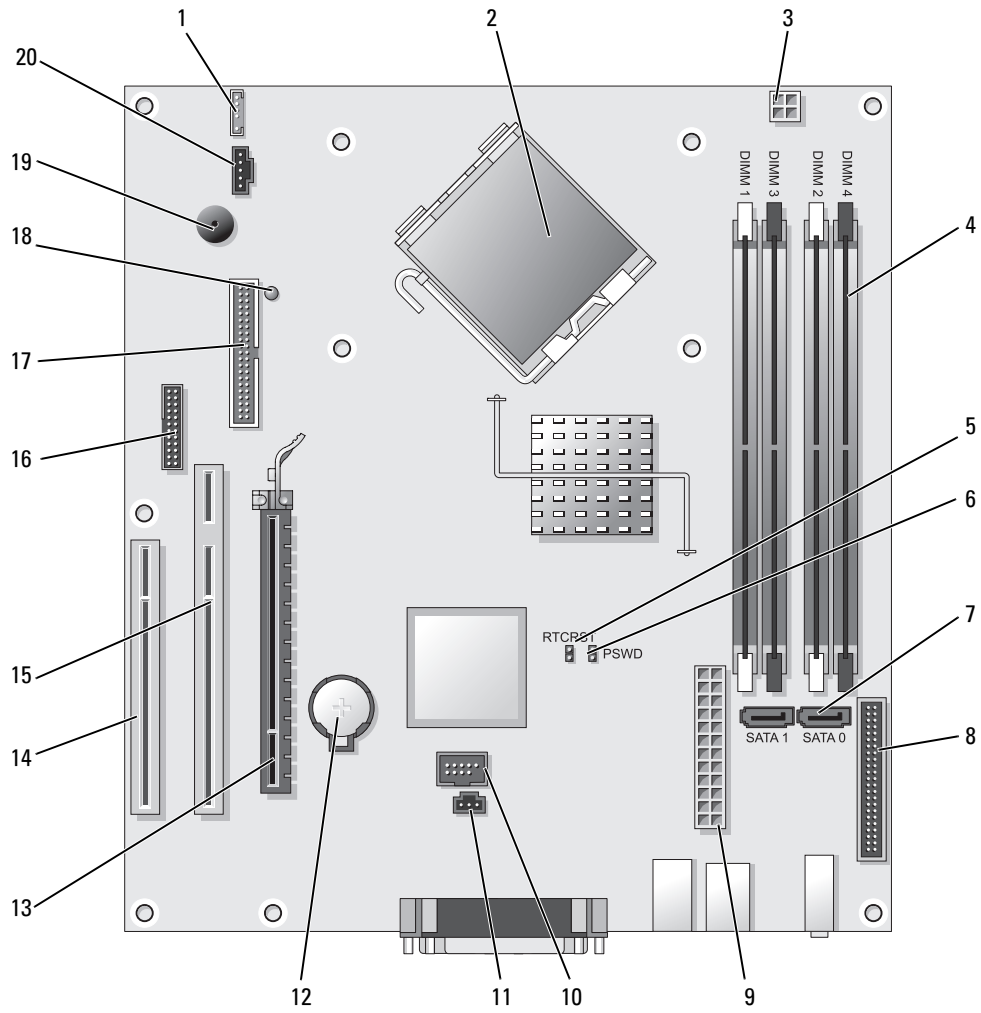
 áthidalva  áthidalás nélkül

Asztali számítógép



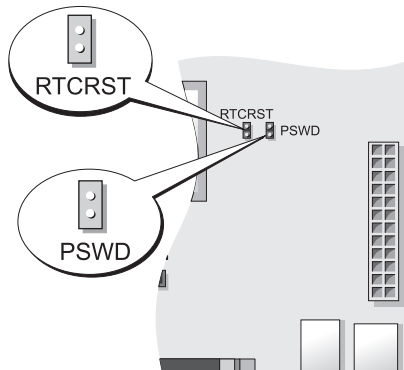
- | | | | | | |
|---|---|---|----------------|---|---|
| 1 | meghajtótérek (adathordozó kártyaolvasó, optikai meghajtó és merevlemez meghajtó) | 2 | tápegység | 3 | opcionális szerelési váz benyomó kapcsoló |
| 4 | alaplapp | 5 | kártyanyílások | 6 | hűtő egység |
| 7 | előlap I/O panel | | | | |





Alaplapi alkatrészek



- | | | | |
|----|---|----|--|
| 1 | belső hangszóró (INT_SPKR) | 11 | benyomó kapcsoló csatlakozója (INTRUDER) |
| 2 | processzorcsatlakozó (CPU) | 12 | elemfoglalat (BATT) |
| 3 | processzor tápcsatlakozója (12VPOWER) | 13 | PCI Express x16 csatlakozó (SLOT1) |
| 4 | memóriamodul csatlakozók (DIMM_1, DIMM_2, DIMM_3, DIMM_4) | 14 | PCI-csatlakozó (SLOT3) |
| 5 | RTC visszaállító áthidaló (RTCRST) | 15 | PCI-csatlakozó (SLOT2) |
| 6 | jelszóáthidaló (PSWD) | 16 | soros csatlakozó (SER2) |
| 7 | SATA csatlakozók (SATA0, SATA1) | 17 | hajlékonylemez meghajtó (DSKT) |
| 8 | előlapi csatlakozó (FNT_PANEL) | 18 | energiatakarékos üzemmód |
| 9 | tápcsatlakozó (POWER) | 19 | rendszerlemez hangszóró (BEEP) |
| 10 | belső USB (INTERNAL_USB) | 20 | ventilátorcsatlakozó (FAN) |

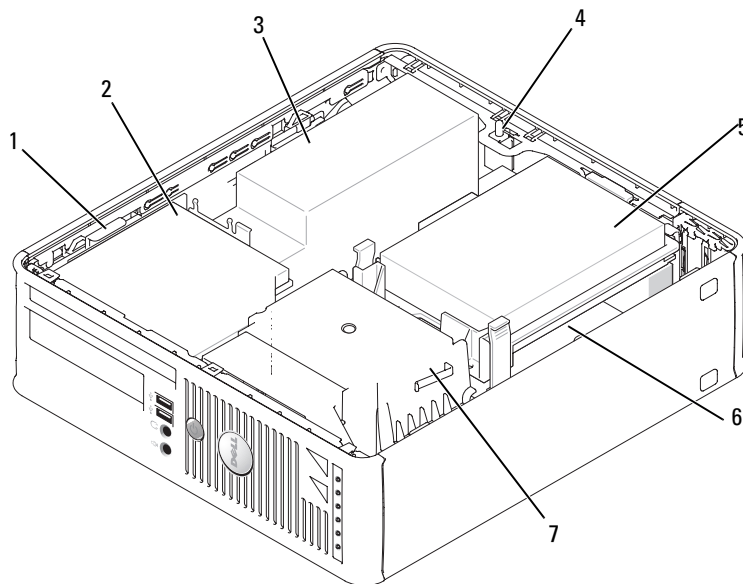
Áthidaló beállítások



Áthidaló	Beállítás	Leírás
PSWD		Jelszó-szolgáltatások engedélyezve (alapértelmezett beállítás).
		Jelszó-szolgáltatások letiltva.
RTC RST		A valós idejű óra visszaállítása nem történt meg.
		A valós idejű óra visszaállítása megtörtént (ideiglenesen áthidalva).

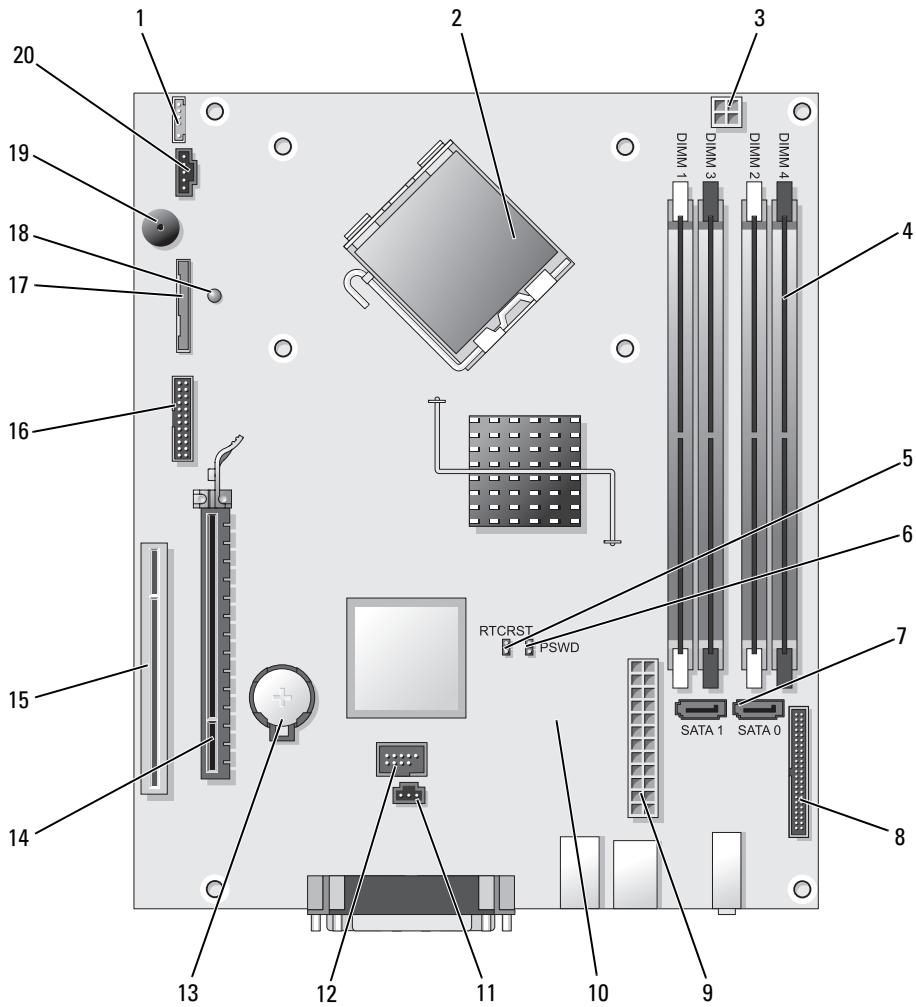
 áthidalva  áthidalás nélkül

Kis formatényezőjű számítógép



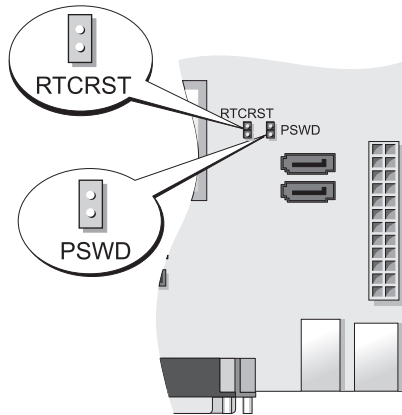
- | | | | | | |
|---|---|---|------------------|---|-------------------------|
| 1 | meghajtókiengedő kar | 2 | optikai meghajtó | 3 | tápegység és ventilátor |
| 4 | opcionális szerelési váz benyomó kapcsoló | 5 | merevlemez | 6 | alaplapp |
| 7 | hűtőbordák és ventilátor-szerelvény | | | | |





System Board Components



- | | | | |
|----|---|----|---|
| 1 | belső hangszóró csatlakozója (INT_SPKR) | 11 | benyomó kapcsoló csatlakozója (INTRUDER) |
| 2 | processzorcsatlakozó (CPU) | 12 | belső USB csatlakozója (USB) |
| 3 | processzor tápcsatlakozója (12VPOWER) | 13 | elemfoglalat (BATT) |
| 4 | memóriamodul csatlakozók (DIMM_1, DIMM_2, DIMM_3, DIMM_4) | 14 | PCI Express x16 csatlakozó (SLOT1) |
| 5 | RTC visszaállító áthidaló (RTCRST) | 15 | PCI-csatlakozó (SLOT2) |
| 6 | jelszóáthidaló (PSWD) | 16 | soros csatlakozó (SER2) |
| 7 | SATA csatlakozók (SATA0, SATA1) | 17 | hajlékonylemez meghajtó csatlakozója (DSKT) |
| 8 | előlap csatlakozó (FNT_PANEL) | 18 | energiatakarékos üzemmód |
| 9 | tápcsatlakozó (POWER) | 19 | rendszerlemez hangszóró (BEEP) |
| 10 | hűtőventilátor-csatlakozó (FAN2) | 20 | ventilátorcsatlakozó (FAN) |

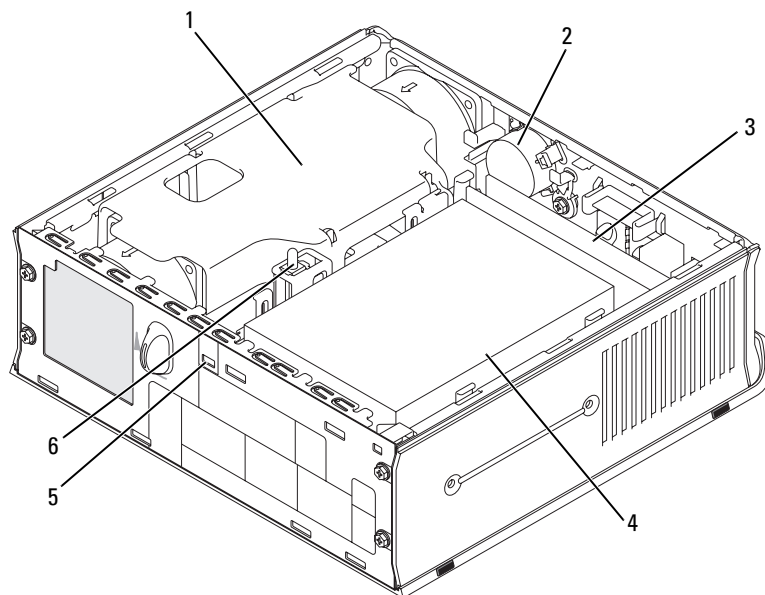
Áthidaló beállítások



Áthidaló	Beállítás	Leírás
PSWD		Jelszó-szolgáltatások engedélyezve (alapértelmezett beállítás).
		Jelszó-szolgáltatások letiltva.
RTC RST		A valós idejű óra visszaállítása nem történt meg.
		A valós idejű óra visszaállítása megtörtént (ideiglenesen áthidalva).

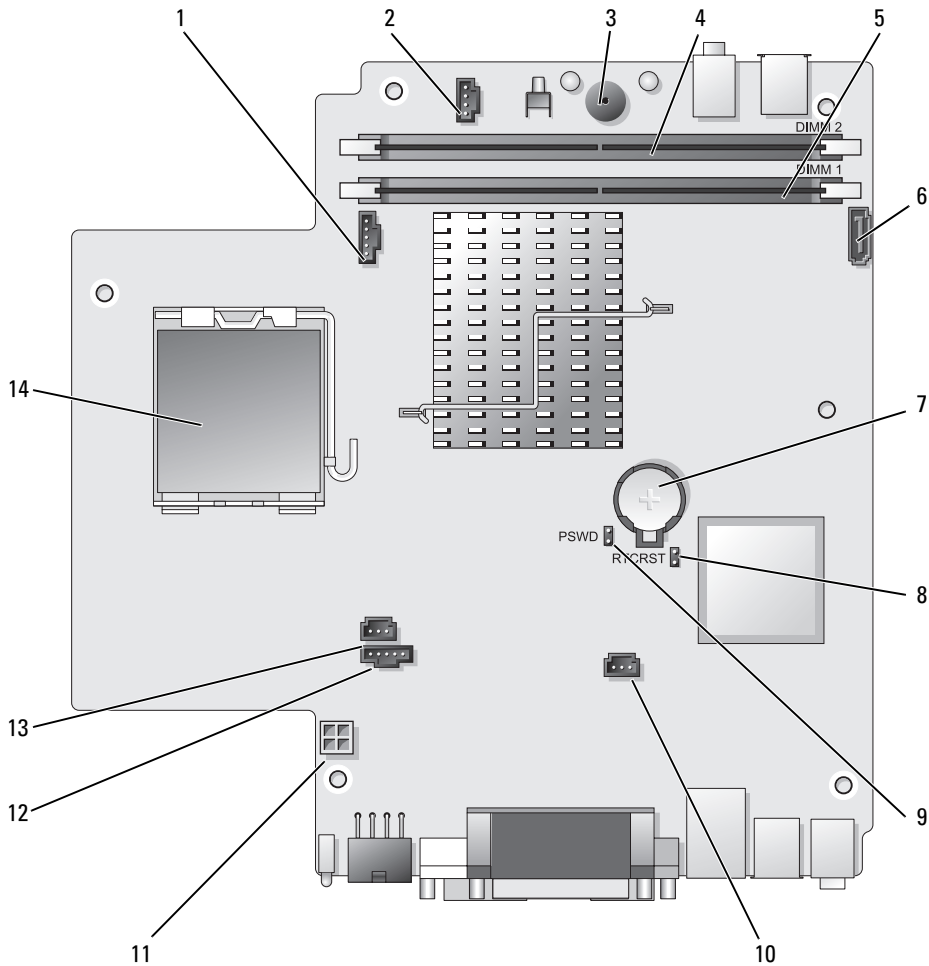
 áthidalva  áthidalás nélkül

Ultra kis formatényezőű számítógép



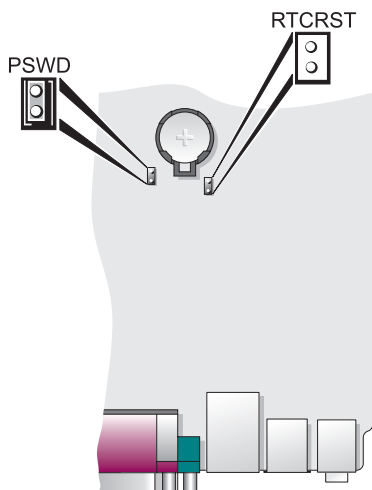
- | | | | | | |
|---|--|---|--|---|-------------------------|
| 1 | hűtőventillátor védőburok/hűtőborda egység | 2 | hangszóró (opcionális) | 3 | memóriamodulok (2) |
| 4 | merevlemez | 5 | a biztonsági kábel rögzítésére szolgáló nyílás | 6 | behatolásjelző kapcsoló |

Alaplapi alkatrészek



- | | | | |
|---|---|----|---|
| 1 | hűtőventilátor-csatlakozó (FAN_FRONT) | 8 | CMOS áthidaló (RTCRST) |
| 2 | belső hangszóró csatlakozója (INT_SPKR) | 9 | jelszó-áthidaló (PSWD) |
| 3 | rendszerlemez hangszóró (BEEP) | 10 | merevlemez hűtőventillátorának csatlakozója (FAN_HDD) |
| 4 | B csatorna memóriacsatlakozó (DIMM_2) | 11 | merevlemez csatlakozó (SATA_PWR) |
| 5 | A csatorna memóriacsatlakozója (DIMM_1) | 12 | hűtőventilátor-csatlakozó (FAN_REAR) |
| 6 | SATA adatkábel csatlakozó (SATA0) | 13 | benyomó kapcsoló csatlakozója (INTRUDER) |
| 7 | akkumulátor (BATT) | 14 | processzor (CPU) |

Áthidaló beállítások



Áthidaló	Beállítás	Leírás
PSWD		Jelszó-szolgáltatások engedélyezve (alapértelmezett beállítás).
		Jelszó-szolgáltatások letiltva.
RTCRST		A valós idejű óra visszaállítása nem történt meg.
		A valós idejű óra visszaállítása megtörtént (ideiglenesen áthidalva).


áthidalva áthidalás nélkül

A számítógép üzembe helyezése

⚠ VIGYÁZAT! Az ebben a részben ismertetett műveletek elvégzése előtt tanulmányozza a **Termékinformációs kézikönyv** biztonsági előírásait.

➡ FIGYELMEZTETÉS: Ha számítógépe bővítkártyát (pl. modemkártyát) tartalmaz, a kártyához csatlakoztassa a megfelelő kábelt, *ne* pedig a hátsó panelen lévő csatlakozóhoz.


➡ FIGYELMEZTETÉS: Annak érdekében, hogy a számítógép megfelelő üzemi hőmérsékleten működhessen, ne helyezze azt túl közel a falhoz vagy valamilyen bútordarabhoz, mert az meggátolná a számítógépház körüli szabad levegőáramlást. További részletekért olvassa el a Termékinformációs kézikönyvet.

 **MEGJEGYZÉS:** Mielőtt olyan eszközöket vagy szoftvereket telepítene, amelyeket nem a számítógép részeként kapott, olvassa el az egyes eszközök vagy szoftverek dokumentációját, vagy kérdezze meg a kereskedőt, hogy az adott eszköz vagy szoftver kompatibilis-e a számítógépével vagy az operációs rendszerrel.

A számítógép megfelelő összeállításához minden lépést maradéktalanul hajtson végre. Lásd az utasításokat követő ábrákat.

 **FIGYELMEZTETÉS:** Ne működtessen egyszerre PS/2 és USB-egeret.

1 Csatlakoztassa a billentyűzetet és az egeret.


 **FIGYELMEZTETÉS:** A modem telefonkábelét nem szabad a hálózati adapter aljzatába illeszteni. A telefon hálózati feszültsége kárt tehet a hálózati adapterben.

2 Csatlakoztassa a modemet vagy a hálózati kábelt.

A hálózati csatlakozóba a hálózati kábelt kell beilleszteni, nem a telefonkábel. Ha kiegészítő modemmel rendelkezik, csatlakoztassa a telefonkábel a modemhez.


3 Csatlakoztassa a monitort.


Illessze a csatlakozóhoz a monitorkábelt, és óvatosan nyomja be, nehogy elferdüljenek a csatlakozótűk. Húzza meg a kábelcsatlakozó rögzítőcsavarjait.

 **MEGJEGYZÉS:** Néhány monitor videocsatlakozója a képernyő hátsó részén található. A csatlakozók helyével kapcsolatban lásd a monitor dokumentációját.

4 Csatlakoztassa a hangszórókat.

5 Csatlakoztassa a tápkábeleket a számítógépbe, a monitorba és a periférikus eszközökbe, majd a kábelek másik végét a tápcsatlakozó aljzatba.

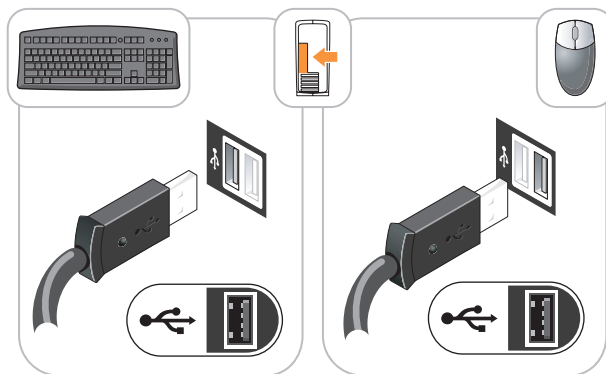
 **FIGYELMEZTETÉS:** A manuális feszültségválasztó kapcsoló helytelen beállítása károsíthatja a számítógépet, ezért a kapcsolót mindig a rendeltetési hely szerinti hálózati váltófeszültséghez legközelebb álló értékre állítsa.

 **FIGYELMEZTETÉS:** Japánban a feszültségválasztó kapcsolót a 115 V-os állásba kell állítani, annak ellenére, hogy Japánban 100 V a hálózati feszültség.

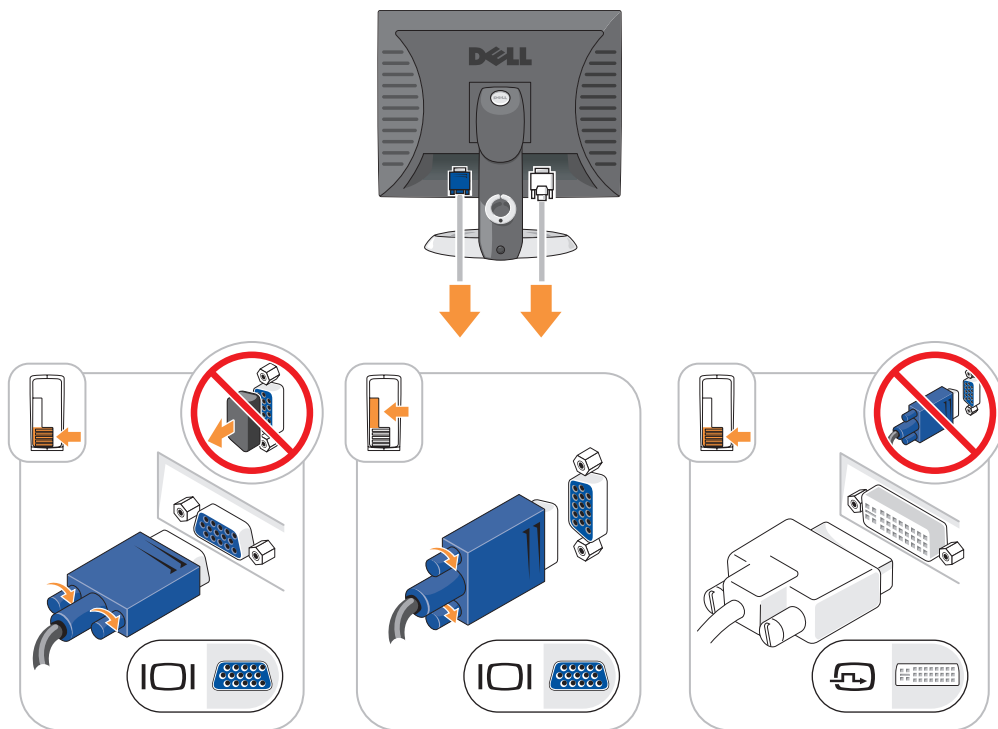
6 Ellenőrizze, hogy a feszültségállító kapcsoló a telepítés helyén érvényes értéken áll-e.

A számítógép manuális feszültségválasztó kapcsolóval rendelkezik. A hátsó paneljükön feszültségállító kapcsolóval rendelkező számítógépeket manuálisan kell a megfelelő működési feszültségre állítani.

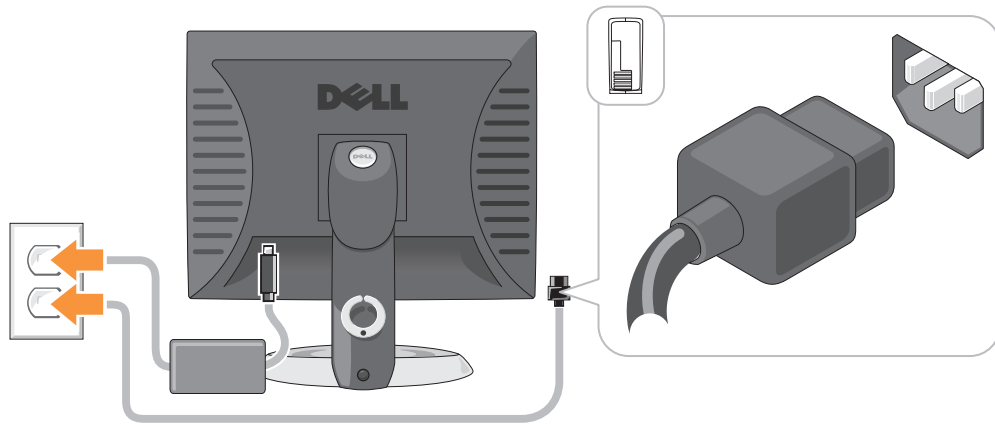
A billentyűzet és az egér csatlakoztatása



A monitor csatlakoztatása



A tápellátás csatlakoztatása



Problémamegoldás

A Dell számos eszközt kínál arra az esetre, ha a számítógép nem a vártan megfelelően működne. A számítógéphez rendelkezésre álló naprakész hibaelhárítási információkkal kapcsolatban látogasson el a Dell Support weboldalára: support.dell.com.

Amennyiben a hiba jellege miatt a Dell szakembereinek segítségére van szüksége, írja le részletesen a hibajelenséget a hangkódokkal és az állapotjelző fények kiosztásával együtt. Jegyezze fel az alábbiakban látható expressz szervizkódot és szervizcímjét, majd lépjen kapcsolatba a Dell munkatársaival a kérdéses számítógéppel azonos helyről. A Dell elérhetőségeivel kapcsolatban lásd az on-line *Felhasználói kézikönyvet*.

Az Expressz szervizkód és szervizcímke egy-egy példáját a „Információkeresés” részben találja a számítógép *Felhasználói kézikönyvében*.

Expressz szervizkód: _____

Szervizcímke: _____

Dell-diagnosztika

⚠ VIGYÁZAT! Az ebben a részben ismertetett műveletek elvégzése előtt tanulmányozza a *Termékinformációs kézikönyv* biztonsági előírásait.

Mikor van szükség a Dell-diagnosztika használatára?

Amennyiben hiba lép fel a számítógép működésekor, végezze el az on-line *Felhasználói kézikönyv* „Problémamegoldás” című fejezetében foglaltakat, és futtassa le a Dell-diagnosztikát, mielőtt felvenné a kapcsolatot műszaki ügyfélszolgálatunkkal. A Dell elérhetőségeivel kapcsolatban lásd az on-line *Felhasználói kézikönyvet*.

➡ FIGYELMEZTETÉS: A Dell-diagnosztika kizárólag Dell™ számítógépeken működik.

Lépjen be a rendszerbeállítás menübe (erre vonatkozó utasításokat a „Rendszerbeállítások” című fejezetben, az on-line *Felhasználói kézikönyvben* talál). Nézze át a számítógép konfigurációs adatait, majd ellenőrizze, hogy a tesztelni kívánt eszköz megjelenik-e a rendszerbeállítások között, és aktív-e.

Indítsa el a Dell diagnosztikai tesztet a merevlemezről vagy az opcionális *Illesztő- és segédprogramok* CD-t (*Erőforrás CD-t*).

A Dell-diagnosztika indítása a merevlemezről

- 1 Kapcsolja be (vagy indítsa újra) a számítógépet.
- 2 Amikor megjelenik a DELL-embléma, azonnal nyomja meg az <F12> billentyűt.



MEGJEGYZÉS: Ha egy hibaüzenet jelenik meg, amely arról tájékoztat, hogy nem létezik diagnosztikai segédprogram-partíció, a Dell-diagnosztikát az opcionális *Illesztő- és segédprogramok* CD-lemezről futtassa le (lásd: „A Dell-diagnosztika indítása az Illesztőprogramok és segédprogramok CD-ről” 293. oldal).

Ha túl sokáig vár, és az operációs rendszer logója megjelenik, várjon tovább a Microsoft® Windows® asztal megjelenéséig. Ekkor kapcsolja ki a számítógépet, és ismételje meg a műveletet.

Amikor megjelenik az indítóeszköz-lista, jelölje ki a **Indítás a segédprogram partícióra** pontot, majd nyomja meg az <Enter> billentyűt.

- 3 Amikor megjelenik a Dell-diagnosztika **Main Menu** (Fő menü) képernyője, válassza ki a futtatni kívánt tesztet.

A Dell-diagnosztika indítása az Illesztőprogramok és segédprogramok CD-ről


- 1 Helyezze be a *Drivers and Utilities* CD-t.
- 2 Állítsa le, majd indítsa újra a számítógépet.

Amikor megjelenik a DELL-embléma, azonnal nyomja meg az <F12> billentyűt.

Ha túl sokáig vár, és megjelenik az operációs rendszer logója, várjon tovább, amíg meg nem jelenik a Microsoft Windows asztal. Ekkor kapcsolja ki a számítógépet, és ismételje meg a műveletet.



MEGJEGYZÉS: Az alábbi lépések csak egyszer változtatják meg az indító szekvenciát. A következő indítás alkalmával a számítógép a rendszerbeállításokban megadott eszközöknek megfelelően indul el.

- 3 Ha megjelenik a rendszerindító (boot) eszközök listája, jelölje ki a CD-/DVD-meghajtót, és nyomja meg az <Enter> billentyűt.
- 4 A CD boot menüben válassza ki a listából a CD-/DVD-meghajtó lehetőséget.
- 5 A megjelenő menüből válassza ki a CD-/DVD-meghajtóról történő indítás (boot) lehetőséget.
- 6 Nyomja meg az 1-es gombot az *Illesztő- és segédprogramok* CD menüjének megnyitásához.
- 7 A 2-essz  beírásával indítsa el a Dell-diagnosztikát.
- 8 A számozott listában válassza a **Run the 32 Bit Dell Diagnostics** (A 32 bites Dell-diagnosztika futtatása) parancsot. Ha több verzió is fel van sorolva, válassza a számítógépnek megfelelőt.
- 9 Amikor megjelenik a Dell-diagnosztika **Main Menu** (Fő menü) képernyője, válassza ki a futtatni kívánt tesztet.

A Dell-diagnosztika Főmenüje

- 1 A Dell-diagnosztika betöltődését és a **Main Menu** (Fő menü) képernyő megjelenését követően kattintson a kívánt beállításnak megfelelő gombra.

Option (Lehetőség)	Funkció
Express Test	(Gyorsteszt) Az eszközök gyors tesztelésének elvégzésére szolgál. Ez a teszt általában 10–20 percig tart, és nem igényli a felhasználó részvételét. Célzerű elsőként a Gyorsteszt vizsgálatot futtatni, hogy a probléma mihamarabb feltárható legyen.
Extended Test	(Bővített teszt) Az eszközök teljes vizsgálatára szolgál. Ez a teszt általában egy óráig vagy még tovább tart, és időről időre válaszolni kell a feltett kérdésekre.
Custom Test	(Egyedi teszt) Egy adott eszköz tesztelésére szolgál. Lehetősége van a futtatni kívánt tesztek testreszabására.
Symptom Tree	(Jelenség szerinti vizsgálat) Felsorolja a legáltalánosabban előforduló jelenségeket, és lehetőséget teremt arra, hogy a fennálló probléma tünete szerint válasszon tesztet.

- 2 Ha egy teszt során probléma merült fel, megjelenik egy üzenet a hibakóddal és a probléma leírásával. Jegyezze fel a hibakódot és a probléma rövid leírását, majd kövesse a képernyőn megjelenő utasításokat.

Amennyiben a hibát nem tudja elhárítani, lépjen kapcsolatba a Dell-képviselettel. A Dell elérhetőségeivel kapcsolatban lásd az on-line *Felhasználói kézikönyvet*.



MEGJEGYZÉS: A számítógép szervizcímkeje minden tesztképernyő tetején fel van tüntetve. Amikor felhívja a Dellt, a műszaki támogatást ellátó munkatársak meg fogják kérdezni a szervizcíme adatait.

- 3 Ha a **Custom Test** (Egyedi teszt) vagy a **Symptom Tree** (Jelenség szerinti vizsgálat) opcióval futtat tesztet, további információért kattintson az alábbi táblázatban ismertetett fülek közül a megfelelőre.

Fül	Funkció
Results (Eredmény)	A Results (Eredmény) panellapon a teszt eredménye és az esetleg megtalált hibák jelennek meg.
Errors (Hibák)	Az Errors (Hibák) panellap megjeleníti a talált hibákat, a hibakódokat és a probléma leírását.
Help (Súgó)	A Help (Súgó) panellapon a teszt leírása látható és megjelenítheti az annak futtatásához szükséges feltételeket.
Configuration (Konfiguráció)	A Configuration (Konfiguráció) panellapon a kijelölt eszköz hardverkonfigurációja látható. A Dell-diagnosztika a rendszerbeállításból, a memóriából és a különféle belső tesztekkel megszerzi az összes eszköz konfigurációs információit, amiket a képernyő bal paneljében található eszközlístában jelenít meg. Előfordulhat, hogy a listán nem szerepel a számítógépbe helyezett vagy ahhoz csatlakoztatott valamennyi eszköz.
Parameters (Paraméterek)	A tesztet a tesztbeállítások módosításával személyre szabhatja.

- 4 Amikor a tesztek befejeződtek, ha a Dell Diagnostics programot az *Illesztőprogramok és segédprogramok* CD-lemezről (opcionális) futtatja, vegye ki a CD-t.
- 5 Zárja be a teszt-képernyőt, hogy visszatérhessen a **Main Menu** (Fő menü) képernyőhöz. Ha ki akar lépni a Dell Diagnosztikából, és újra kívánja indítani a számítógépet, zárja be a **Main menu** (Főmenü) képernyőt.

Rendszer-fényjelzések

Az üzemjelző fény esetleges meghibásodást jelez.

Üzemjelző fény	A hiba leírása	Javasolt megoldás
Folyamatos zöld fény	A számítógép bekapcsolt állapotban van, és rendeltetésszerűen működik.	Nincs szükség beavatkozásra.
Villogó zöld fény	A számítógép energiatakarékos üzemmódban van.	A számítógép aktiválásához nyomja meg a tápellátás gombot vagy egy billentyűt a billentyűzeten.
A jelzőfény többször zölden villog, majd elalszik	Konfigurációs hiba lépett fel.	A diagnosztikai visszajelzők alapján állapítsa meg a probléma okát (lásd: „Diagnosztikai visszajelzők“ 296. oldal)
Folyamatos sárga fény	A rendszerlemezen egyik eszköz hibás vagy nem megfelelően telepített, vagy a tápcsatlakozón a feszültségválasztó kapcsoló hibásan van beállítva.	<p>diagnosztikai visszajelzők alapján állapítsa meg a probléma okát (lásd: „Diagnosztikai visszajelzők“ oldalon 296)</p> <p>Lásd az on-line <i>Felhasználói kézikönyv</i> „Tápellátási hibák” című részét.</p> <p>Ha a számítógép nem indul, kérjen technikai segítséget a Dell ügyfélszolgálatától. A Dell elérhetőségeivel kapcsolatban lásd az on-line <i>Felhasználói kézikönyvet</i>.</p>
Villogó sárga fény	Tápegység- vagy alaplaphiba történt.	<p>A diagnosztikai visszajelzők alapján állapítsa meg a probléma okát (lásd: „Diagnosztikai visszajelzők“ 296. oldal)</p> <p>Lásd az on-line <i>Felhasználói kézikönyv</i> „Tápellátási hibák” című részét.</p> <p>Ha a számítógép nem indul, kérjen technikai segítséget a Dell ügyfélszolgálatától. A Dell elérhetőségeivel kapcsolatban lásd az on-line <i>Felhasználói kézikönyvet</i>.</p>
Folyamatosan világító zöld fény és hangkód a POST (indítási önteszt) művelet alatt	A rendszer hibát észlelt a BIOS műveletek végrehajtása közben.	A hangkódok értelmezését illetően lásd: „Hangkódok“ 298. oldal Ezenkívül a diagnosztikai visszajelzők alapján állapítsa meg a probléma okát.

Üzemjelző fény	A hiba leírása	Javasolt megoldás
Folyamatosan világító zöld jelzőfény, nincs hangkód és kép a POST (indítási önteszt) műveletek alatt	Elképzelhető, hogy a monitor vagy a grafikus kártya hibás, vagy nem megfelelően lett telepítve.	A diagnosztikai visszajelzők alapján állapítsa meg a probléma okát.
Folyamatos zöld üzemjelző fény, és nincs hangkód, de a számítógép a POST alatt leáll	Elképzelhető, hogy a beépített alaplapi eszköz hibás.	A diagnosztikai visszajelzők alapján állapítsa meg a probléma okát. Ha az adott probléma leírása nem szerepel a fejezetben, kérjen tanácsot a Dell műszaki ügyfélszolgálatától. A Dell elérhetőségeivel kapcsolatban lásd az online <i>Felhasználói kézikönyvet</i> .

Diagnosztikai visszajelzők

⚠ VIGYÁZAT! Az ebben a részben ismertetett műveletek elvégzése előtt tanulmányozza a *Termékinformációs kézikönyv biztonsági előírásait*.

A hiba meghatározását segítő, a számítógép előlapján vagy hátlapján „1”, „2”, „3” és „4” számmal jelölt négy visszajelző található. A visszajelzők lehetnek kikapcsolt állapotban, vagy zölden világíthatnak. A számítógép üzemszerű indításakor a jelzőfények világítási mintája vagy fénykódja az indítási folyamat végéig folyamatosan változik. Ha a rendszerindítás POST része sikeresen lezajlik, akkor mind a négy visszajelző rövid időre zölden felvillan, majd kikapcsol.

Ha azonban a számítógép POST műveletsora közben a rendszer hibát észlel, a jelzőfények által kiadott fény minta segítségével beazonosítható, mely művelet futtatása közben állt le a számítógép. Ha a számítógép a sikeres POST után hibásan kezd működni, a diagnosztikai visszajelzők már nem fogják tudni jelezni a hiba okát.

📌 MEGJEGYZÉS: A diagnosztikai visszajelzők elhelyezkedése a rendszer típusától függően eltérő lehet. A diagnosztikai visszajelzők vízszintesen és függőlegesen is állhatnak.

Fénymintázat	A hiba leírása	Javasolt megoldás
①②③④	A számítógép normál „kikapcsolt” állapotban van, vagy pre-BIOS hiba keletkezett. A diagnosztikai visszajelzők a számítógép sikeres beindulását követően nem kezdenek világítani.	Csatlakoztassa a számítógép tápkábelét egy működő fali aljzathoz, majd nyomja meg a tápellátás gombot.
①②③④	Valószínűleg BIOS hiba történt, a számítógép helyreállítási üzemmódban indult.	Indítsa el a BIOS helyreállítási segédprogramot, várja meg annak lefutását, majd indítsa újra a számítógépet.

Fénymintázat	A hiba leírása	Javasolt megoldás
① ② ③ ④	Lehetséges, hogy processzorhiba történt.	Helyezze be újra a processzort, és indítsa újra a számítógépet. A processzor újbóli behelyezésével kapcsolatban lásd az on-line <i>Felhasználói kézikönyvben</i> foglaltakat.
① ② ③ ④	A rendszer észleli a memóriamodulokat, de memóriahiba történt.	<ul style="list-style-type: none"> • Ha egy memóriamodul van beépítve, vegye ki, és helyezze be újra, majd indítsa újra a számítógépet. A memóriamodulok újratelepítésével kapcsolatban olvassa el az on-line <i>Felhasználói kézikönyvet</i>. • Ha két vagy több memóriamodullal is rendelkezik, egy kivételével távolítsa el őket, majd indítsa újra a számítógépet. Ha a számítógép megfelelően indul, helyezzen vissza egy további modult. A műveletet addig folytassa, amíg meg nem találta a hibás modult, vagy minden hibátlan modult vissza nem helyezett. • Lehetőség szerint szereljen be ugyanolyan típusú, megfelelően működő memóriamodulokat a számítógépbe. • Ha a probléma továbbra is fennáll, lépjen kapcsolatba a Dell ügyfélszolgálatával. A Dell elérhetőségeivel kapcsolatban lásd az on-line <i>Felhasználói kézikönyvet</i>.
① ② ③ ④	Valószínűleg meghibásodott a grafikus kártya.	<ul style="list-style-type: none"> • Ha a számítógép grafikus kártyát tartalmaz, vegye ki majd helyezze be ismét, és indítsa újra a számítógépet. • Ha a probléma továbbra is fennáll, helyezzen be egy olyan grafikus kártyát, amelynek biztos a kifogástalan működésében, majd indítsa újra a számítógépet. • Amennyiben mindezek ellenére a probléma továbbra is fennáll, vagy a számítógép integrált grafikai megjelenítéssel rendelkezik, lépjen kapcsolatba a Dell ügyfélszolgálatával. A Dell elérhetőségeivel kapcsolatban lásd az on-line <i>Felhasználói kézikönyvet</i>.
① ② ③ ④	Valószínűleg hajlékony- vagy merevlemez meghajtóhiba történt.	Minden hálózati és adatkábel csatlakoztasson újra, majd indítsa újra a számítógépet.
① ② ③ ④	Valószínűleg USB-hiba történt.	Csatlakoztassa újra az USB-eszközöket, ellenőrizze a kábelcsatlakozásokat, majd indítsa újra a számítógépet.

Fénymintázat	A hiba leírása	Javasolt megoldás
① ② ③ ④	A rendszer nem látja a memóriamodulokat.	<ul style="list-style-type: none"> • Ha egy memóriamodul van beépítve, vegye ki, és helyezze be újra, majd indítsa újra a számítógépet. A memóriamodulok újratelepítésével kapcsolatban olvassa el az on-line <i>Felhasználói kézikönyvet</i>. • Ha két vagy több memóriamodullal is rendelkezik, egy kivételével távolítsa el őket, majd indítsa újra a számítógépet. Ha a számítógép megfelelően indul, helyezzen vissza egy további modult. A műveletet addig folytassa, amíg meg nem találta a hibás modult, vagy minden hibátlan modult vissza nem helyezett. • Lehetőség szerint szereljen be ugyanolyan típusú, megfelelően működő memóriamodulokat a számítógépbe. • Ha a probléma továbbra is fennáll, lépjen kapcsolatba a Dell ügyfélszolgálatával. A Dell elérhetőségeivel kapcsolatban lásd az on-line <i>Felhasználói kézikönyvet</i>.
① ② ③ ④	A rendszer észleli a memóriamodulokat, de konfigurációs vagy kompatibilitási hiba lépett fel.	<ul style="list-style-type: none"> • Győződjön meg arról, hogy nem állnak fenn speciális követelmények a memóriamodul/memória csatlakozó elhelyezésével kapcsolatban. • Győződjön meg róla, hogy a beépíteni kívánt memóriamodulok kompatibilisek a számítógéppel. • Ha a probléma továbbra is fennáll, lépjen kapcsolatba a Dell ügyfélszolgálatával. A Dell elérhetőségeivel kapcsolatban lásd az on-line <i>Felhasználói kézikönyvet</i>.
① ② ③ ④	Hiba történt. Akkor is ez a jelzés látható, ha belépett a rendszerbeállításokba, így nem kell feltétlenül hibajelzésként értelmezni.	<ul style="list-style-type: none"> • Ellenőrizze, hogy megfelelően csatlakoznak-e a kábelek az alaplaphoz a merevlemez meghajtóból, a CD-meghajtóból és a DVD-meghajtóból. • Ellenőrizze a monitoron megjelenő üzenetet. • Ha a probléma továbbra is fennáll, lépjen kapcsolatba a Dell ügyfélszolgálatával. A Dell elérhetőségeivel kapcsolatban lásd az on-line <i>Felhasználói kézikönyvet</i>.

Hangkódok

A számítógép képernyőkijelzés hiányában indításkor hangsorozattal jelzi az esetleges hibákat vagy problémákat. Ez az úgynevezett hangkódnak nevezett hangsor segít a probléma jellegének meghatározásában. A lehetséges hangkódok egyike (az 1 3-1 kód) egy hosszú, három rövid és még egy hosszú hangjelzésből áll. A hangkód memóriahibára figyelmeztet.

Ha a számítógép indításkor hangjelzést ad:

- 1 Írja le ezt a kódot.
- 2 A komolyabb hibák okának feltárásához lásd: „Dell-diagnosztika“ 292. oldal
- 3 Kérjen műszaki segítséget a Dell szakembereitől. A Dell elérhetőségeivel kapcsolatban lásd az on-line *Felhasználói kézikönyvet*.

Kód	Ok	Kód	Ok
1-1-2	Mikroprocesszor regiszterhiba	3-1-4	Alárendelt eszköz megszakító maszkregiszter-hiba
1-1-3	NVRAM olvasási/írási hiba	3-2-2	Megszakítási vektor betöltési hiba
1-1-4	ROM BIOS ellenőrző összeg hiba	3-2-4	Billentővezeték vezérlő teszt hiba
1-2-1	Programozható intervallumos időzítő hiba	3-3-1	NVRAM teljesítményvesztés
1-2-2	DMA inicializálási hiba	3-3-2	Érvénytelen NVRAM konfiguráció
1-2-3	DMA lapregiszter olvasási/írási hiba	3-3-4	Videomemória teszt hiba
1-3	Videomemória teszt hiba	3-4-1	Képernyő inicializálási hiba
1-3-1 a 2-4-4 után	A memória beazonosítása vagy használata helytelen	3-4-2	Képernyő következő sorra léptetésének hibája
3-1-1	Alárendelt DMA regiszterhiba	3-4-3	Hiba a video ROM keresésekor
3-1-2	Alárendelt DMA regiszterhiba	4-2-1	Nincs időzítő-beosztás
3-1-3	Alárendelt eszköz megszakító maszkregiszter hiba	4-2-2	Leállítási hiba
4-2-3	A20-as kapu hiba	4-4-1	Soros vagy párhuzamos port teszt hiba
4-2-4	Váratlan megszakítás védett üzemmódban	4-4-2	Nem sikerült kibontani a kódot az árnyékmemóriába
4-3-1	Memória-hiba a 0FFFFh cím felett	4-4-3	Aritmetikai segédprocesszor teszt hiba
4-3-3	Időzítő-chip 2 számláló hiba	4-4-4	Gyorsítótár teszt hiba
4-3-4	Megállt az időpontot jelző óra		

Szoftver-és hardver-inkompatibilitási problémák megoldása

Ha az operációs rendszer beállításakor egy eszközt nem észlel a rendszer, vagy konfigurálását nem találja megfelelőnek, a hardverhiba-elhárító segítségével feloldhatja az összeférhetetlenséget.

- 1 A **Start** menüben kattintson a **Help and Support** (Súgó és támogatás) menüpontra.
- 2 A **Keresés** mezőbe írja be a **hardware troubleshooter** (hardverhiba-elhárító) kifejezést, majd a keresés indításához kattintson a nyílra.

- 3 A **találatok** listáján kattintson a **Hardware Troubleshooter** (hardverhiba-elhárító) lehetőségre.
- 4 A **Hardware Troubleshooter** (hardverhiba-elhárító) listán kattintson az **I need to resolve a hardware conflict on my computer** (Hardverütközést szeretnék feloldani a számítógépen) jelölőnégyzetre, majd pedig a **Next** (Tovább) gombra.

A Microsoft Windows XP Rendszer-visszaállítás használata


A Microsoft Windows XP operációs rendszer rendszer-visszaállítás funkciója segítségével a számítógép visszaállítható egy korábbi, működőképes állapotra (az adatfájlok érintése nélkül), ha a hardverben, szoftverben vagy más rendszerbeállításban történt módosítás miatt a rendszer nemkívánatos működési állapotba került. A rendszer-visszaállítás használatával kapcsolatban tekintse át a Windows súgóját, vagy forduljon az ügyféltámogatási központhoz. A Windows súgó és támogatás eléréséhez lásd „Windows Súgó és támogatás központ“ 252. oldal.

 **FIGYELMEZTETÉS:** Az adatfájlokról rendszeresen készítsen biztonsági másolatot. A rendszer-visszaállítás nem követi nyomon az adatfájlokat, és nem is állítja helyre őket.

Visszaállítási pont létrehozása

- 1 A **Start** menüben kattintson a **Súgó és támogatás** menüpontra.
- 2 Kattintson a **Rendszer-visszaállítás** lehetőségre.
- 3 Kövesse a kijelzőn megjelenő utasításokat.

A számítógép visszaállítása korábbi működési állapotra

 **FIGYELMEZTETÉS:** Mielőtt a számítógépét visszaállítaná egy korábbi működési állapotra, minden nyitott fájlt mentsen, és zárja be a futó programokat. A rendszer teljes visszaállításáig ne módosítson, nyisson meg vagy töröljön fájlokat vagy programokat.

- 1 Kattintson a **Start** menü **Programok**→**Accessories**→**System Tools** (Programok→Kellékek→Rendszereszközök) menüpontjára, majd a **System Restore** (Rendszer-visszaállítás) lehetőségre.
- 2 Jelölje ki **Restore my computer to an earlier time** (A számítógép visszaállítása egy korábbi időpontra) lehetőséget, majd kattintson a **Next** (Tovább) gombra.
- 3 Kattintson arra a naptári dátumra, amelyre vissza kívánja állítani a számítógépét.

A **Select a Restore Point** (Visszaállítási pont kiválasztása) képernyő megjelenít egy naptárt, amin megtekintheti és kiválaszthatja a kívánt visszaállítási pontot. A lehetséges visszaállítási pontként megadható naptári dátumok felkövér betűtípussal jelennek meg.

- 4 Válasszon ki egy visszaállítási pontot, majd kattintson a **Next** (Tovább) gombra.
Ha egy naptári nap csak egy visszaállítási pontot tartalmaz, az lesz automatikusan kijelölve. Ha több visszaállítási pont is szerepel, válassza ki az Önnek leginkább megfelelőt.
- 5 Kattintson a **Next** (Tovább) gombra.
A rendszer visszaállításához szükséges adatok összegyűjtése után megjelenik a **Restoration Complete** (Visszaállítás kész) képernyő, és a számítógép újraindul.
- 6 Miután a számítógép újraindult, kattintson az **OK** gombra.

Ha módosítani kívánja a visszaállítási pontot, ismételje meg a fenti műveletsort egy másik pont kiválasztásával, vagy visszavonással érvénytelenítse a visszaállítást.

Az utolsó rendszer-visszaállítás visszavonása



FIGYELMEZTETÉS: Az utolsó rendszer-visszaállítás visszavonása előtt mentsen és zárjon be minden nyitott fájlt, és lépjen ki minden futó programból. A rendszer teljes visszaállításáig ne módosítson, nyisson meg vagy töröljön fájlokat vagy programokat.

- 1 Kattintson a **Start** menü **All Programs**→ **Accessories**→ **System Tools** (Programok)→ **Kellékek**→ **Rendszereszközök** menüpontjára, és kattintson a **System restore** (Rendszer-visszaállítás) lehetőségre.
- 2 Kattintson az **Undo my last restoration** (Utolsó visszaállítás visszavonása) lehetőségre, majd pedig a **Next** (Tovább) gombra.
- 3 Kattintson a **Next** (Tovább) gombra.
Megjelenik a **Rendszer-visszaállítás** képernyő, és a számítógép újraindul.
- 4 Miután a számítógép újraindult, kattintson az **OK** gombra.

A rendszer-visszaállítás engedélyezése

Ha 200 MB-nál kevesebb szabad lemezterülettel rendelkező Windows XP programot telepít újra, a rendszer-visszaállítás automatikusan le van tiltva. Annak ellenőrzésére, hogy a rendszer-visszaállítás engedélyezve van:

- 1 Kattintson a **Start** menüre és annak **ControlPanel** (Vezérlőpult) pontjára.
- 2 Kattintson a **Performance and Maintenance** (Teljesítmény és karbantartás) lehetőségre.
- 3 Kattintson a **System** (Rendszer) elemre.
- 4 Kattintson a **System restore** (Rendszer-visszaállítás) lapra.
- 5 Győződjön meg róla, hogy a **Turn Off System Restore** (Rendszer-visszaállítás kikapcsolása) négyzet nincs bejelölve.

A Microsoft Windows XP újratelepítése

Getting Started




MEGJEGYZÉS: A dokumentumban ismertetett folyamatok a Windows XP Home Edition rendszer alapértelmezett Windows nézetére vonatkoznak. Ha Dell™ számítógépét átállítja a Windows Classic nézetre vagy Windows XP Professional operációs rendszert használ, a lépések eltérhetnek.


Ha egy frissen telepített illesztőprogram miatt újra kívánja telepíteni a Windows XP operációs rendszert, először próbálja meg a Windows XP eszköz illesztőprogram-visszatöltését használni.


- 1 Kattintson a **Start** gombra, majd a **Vezérlőpult** elemre.
- 2 A **Pick a Category** (Válasszon kategóriát) lehetőségben kattintson a **Performance and Maintenance** (Teljesítmény és karbantartás) elemre.
- 3 Kattintson a **System** (Rendszer) elemre.
- 4 A **System Properties** (Rendszer tulajdonságok) ablakban kattintson a **Hardver** fülre.
- 5 Kattintson a **Device Manager** (Eszközkezelő) lehetőségre.
- 6 Kattintson jobb egérgombbal az eszközre, aminek az illesztőprogramját telepítette, majd kattintson a **Properties** (Tulajdonságok) gombra.
- 7 Kattintson a **Drivers** (Illesztőprogramok) fülre.
- 8 Kattintson a **Roll Back Driver** (Eszköz-illesztőprogram visszagörgetése) elemre.

Ha az Eszköz-illesztőprogram visszagörgetése nem oldotta meg a problémát, használja a rendszer-visszaállítást az operációs rendszer korábbi, az új eszköz illesztőprogramjának telepítése előtti állapotára való visszaállításához (lásd: „A Microsoft Windows XP Rendszer-visszaállítás használata” oldalon 300)

 **MEGJEGYZÉS:** Az *Drivers and Utilities* CD-ről (Illesztőprogramok és segédprogramok CD-ről) futtassa a számítógép összeszerelésekor feltöltött illesztőprogramokat tartalmaz. Az *Drivers and Utilities* CD-ről (Illesztőprogramok és segédprogramok CD-ről) futtassa töltsse be az összes szükséges illesztőprogramot, többek között azokat is, amelyekre RAID-vezérlő használatakor van szükség.

A Windows XP újratelepítése

 **FIGYELMEZTETÉS:** A Windows XP újratelepítéséhez a szervizcsomagnak legalább 1-es verziója (Windows XP Service Pack 1) szükséges.


 **FIGYELMEZTETÉS:** A telepítés végrehajtása előtt az elsődleges merevlemezen lévő minden adatfájlról készítsen biztonsági másolatot. A hagyományos merevlemez-konfigurációk esetében az elsődleges meghajtó a számítógép által először észlelt meghajtó.


A Windows XP újratelepítéséhez a következőkre van szükség:

- Dell *operációs rendszer* CD
- *Dell Drivers and Utilities* CD

A Windows XP újratelepítéséhez az alábbiakban olvasható minden műveletsort maradéktalanul hajtson végre, az ismertetett sorrendben.

Az újratelepítés 1–2 órát vehet igénybe. Az operációs rendszer újratelepítése után az egyes eszközök illesztőprogramjait, a vírusvédelmi programokat és egyéb szoftvereket is ismételten fel kell telepítenie.

 **FIGYELMEZTETÉS:** Az *operációs rendszer* telepítőlemeze különböző lehetőségeket kínál a Windows XP újratelepítéséhez. Ezek felülírhatják a fájlokat, és módosíthatják a merevlemezen lévő programokat is. Ezért csak akkor kezdjen bele a Windows XP operációs rendszer újratelepítésébe, ha erre a Dell műszaki ügyfélszolgálatának munkatársa kéri.

 **FIGYELMEZTETÉS:** A Windows XP lehetséges ütközéseinek elkerülése érdekében az újratelepítés előtt tiltsa le az összes vírusvédelmi szoftvert. Lásd a szoftverhez mellékelt dokumentációt.

Betöltés az operációs rendszer telepítőlemezéről

- 1 Mentsen és zárjon be minden nyitott fájlt, és lépjen ki minden futó programból.
- 2 Helyezze be az *Operációs rendszer* CD-lemezt. Kattintson az **Exit** (Kilépés) gombra az **Install Windows XP** (Windows XP telepítése) üzenet megjelenésekor.
- 3 Indítsa újra a számítógépet.
- 4 Nyomja meg az <F12> billentyűt közvetlenül a DELL™ logó megjelenése után.
Ha látja az operációs rendszer emblémáját, várja meg a Windows asztal megjelenését, majd állítsa le a számítógépet, és próbálja újra.
- 5 A nyíl gombokkal válassza ki a **CD-ROM** lehetőséget, és nyomja meg az <Enter> billentyűt.
- 6 Ha megjelenik a **Press any key to boot from the CD** („Nyomja meg bármelyik billentyűt a CD-ről való betöltéshez”) üzenet, nyomjon meg egy billentyűt.

Windows XP Setup

- 1 Amikor megnyílik a **Windows XP Setup** (Windows XP beállítása) ablak, nyomja meg az <Enter> billentyűt a „**To set up Windows now**” (Windows beállítása most) lehetőség kiválasztásához.
- 2 Olvassa el a **Microsoft Windows licenyszerződés** tartalmát, majd annak elfogadásához nyomja meg az <F8> billentyűt.
- 3 Amennyiben számítógépére már telepítve van a Windows XP operációs rendszer, és helyre kívánja állítani az aktuális Windows XP adatokat, írja be az **r** betűt a javítási művelet kiválasztásához, és vegye ki a telepítőlemezt.
- 4 Ha a Windows XP új példányát kívánja telepíteni, nyomja meg az <Esc> billentyűt.
- 5 Az <Enter> billentyű megnyomásával válassza ki a kijelölt partíciót (ajánlatos), majd kövesse a képernyőn megjelenő utasításokat.

Megnyílik a **Windows XP Setup** (Windows XP telepítése) képernyő, és az operációs rendszer megkezdzi a fájlok másolását és az eszközök telepítését. A számítógép többször automatikusan újraindul.



MEGJEGYZÉS: A beállításhoz szükséges idő a merevlemez méretétől és a számítógép gyorsaságától függ.



FIGYELMEZTETÉS: Ne nyomjon meg semmilyen billentyűt a következő üzenet megjelenésekor: **Press any key to boot from the CD** („Nyomjon meg egy billentyűt a CD-ről való betöltéshez”).

- 6 Amikor megjelenik a **Regional and Language Options** (Területi és nyelvi beállítások) ablak, adja meg az adatokat, és kattintson a **Next** (Tovább) gombra.
- 7 Adja meg saját nevét és szervezetének megnevezését (nem kötelező) a **Personalize Your Software** (Szoftver testreszabása) képernyőn, majd kattintson a **Next** (Tovább) gombra.
- 8 A **Computer Name and Administrator Password** (Számítógép neve és az adminisztrátor jelszava) ablakban adjon nevet a számítógépnek (illetve fogadja el a felkínált lehetőséget), adjon meg egy jelszót, és kattintson a **Next** (Tovább) gombra.
- 9 Ha megjelenik a **Modem Dialing Information** (Betárcsázási adatok) képernyő, adja meg a szükséges információkat, majd kattintson a **Next** (Tovább) pontra.
- 10 A **Date and Time Settings** (Dátum és idő beállításai) ablakban adjon meg a dátumot, az időt és az időzónát, majd kattintson a **Next** (Tovább) gombra.
- 11 A **Network Settings** (Hálózati beállítások) ablakban jelölje be a **Typical** (Tipikus) beállítást, és kattintson a **Next** (Tovább) gombra.
- 12 Ha Windows XP Professional operációs rendszert telepít újra, és a rendszer további információt kér a hálózat konfigurációjával kapcsolatban, adja meg a kívánt adatokat. Ha nem biztos a beállításokban, fogadja el az alapértelmezett értékeket.

A Windows XP telepíti az operációs rendszer összetevőit, és konfigurálja a számítógépet. A számítógép automatikusan újraindul.



FIGYELMEZTETÉS: Ne nyomjon meg semmilyen billentyűt a következő üzenet megjelenésekor: **Press any key to boot from the CD** („Nyomjon meg egy billentyűt CD-ről való betöltéshez”).

- 13 A **Welcome to Microsoft** (Üdvözlí Önt a Microsoft) képernyő megjelenésekor kattintson a **Next** (Tovább) gombra.
- 14 A **How will this computer connect to the Internet?** (Hogyan csatlakozik a számítógép az Internetre?) kérdésnél válassza a **Skip** (Átugrás) lehetőséget.

- 15 Ha megjelenik a **Ready to register with Microsoft?** (Most regisztrál a Microsoftnál?) képernyő, válassza a **No, not at this time** (Nem, majd máskor) lehetőséget, és kattintson a **Next** (Tovább) gombra.
- 16 A **Who will use this computer?** (Ki használja ezt a számítógépet?) kérdésre legfeljebb öt nevet adhat meg.
- 17 Kattintson a **Next** (Tovább) gombra.
- 18 A beállítás végén kattintson a **Finish** (Befejezés) gombra, és vegye ki a telepítőlemezt.
- 19 Telepítse újra a megfelelő illesztőprogramokat az *Drivers and Utilities* CD-ről (Illesztőprogramok és segédprogramok CD-ről).
- 20 Telepítse újra a vírusvédelmi szoftvert.
- 21 Telepítse újra a programokat.



MEGJEGYZÉS: A Microsoft Office vagy Microsoft Works Suite programok újratelepítéséhez és aktiválásához szükség van a Microsoft Office vagy Microsoft Works Suite CD tokjának hátulján lévő termékulcszámra.

Az Illesztőprogramok és segédprogramok CD használata

A *Drivers and Utilities* CD (*ResourceCD*) használata Windows operációs rendszeren.



MEGJEGYZÉS: Az eszközök illesztőprogramjainak és a felhasználói dokumentációnak az eléréséhez az *Illesztőprogramok és segédprogramok* CD-re van szükség a Windows operációs rendszer futtatásakor.

- 1 Kapcsolja be a számítógépet, és hagyja, hogy a rendszer betöltse a Windows asztalt.
- 2 Helyezze be az *Illesztőprogramok és segédprogramok* CD-lemezt a CD-meghajtóba.

Az *Illesztőprogramok és segédprogramok* CD első használatakor megnyílik a **ResourceCD telepítése** ablak, mely tájékoztat az *Illesztőprogramok és segédprogramok* CD telepítésének indításáról.

- 3 A folytatáshoz kattintson az **OK** gombra.

A telepítés utolsó lépéseként válaszoljon a telepítőprogram kérdéseire.

- 4 Az **Üdvözljük, Dell rendszertulajdonos** ablakban kattintson a **Tovább** gombra.

Válassza ki a megfelelő **Rendszertípust**, **Operációs rendszert**, **Eszköztípust**, és **Tárgyat**.

A számítógép illesztőprogramjai

A számítógépen található illesztőprogramok listájának megjelenítése:

- 1 A **Tárgy** legördülő menüben kattintson a **Saját illesztőprogramok** lehetőségre.

Az *Illesztőprogramok és segédprogramok* CD (opcionális) végigpásztazza a számítógép hardvereit és operációs rendszerét, majd a képernyőn megjelenik az adott rendszerkonfiguráció eszköz illesztőprogramjainak listája.

- 2 Kattintson a megfelelő illesztőprogramra, és annak letöltéséhez kövesse a képernyőn megjelenő utasításokat.

A számítógéphez tartozó összes illesztőprogram megjelenítéséhez kattintson az **Illesztőprogramok** elemre a **Tárgy** legördülő menüben.

Tárgymutató

A

alaplapp, 279, 282, 288

alaplapp. *Lásd*
alaplapp

az alkatrészek beszerelését
első lépések, 271

B

biztonsági utasítások, 252

burkolat
eltávolítás, 270

C

CD
operációs rendszer, 252
címkék
Microsoft Windows, 253
Szervizcímké, 253

D

Dell támogatási weboldal, 253
Dell-diagnosztika, 292
diagnosztika
Dell-diagnosztika, 292
hangkódok, 298
dokumentáció
biztonság, 252

ergonómia, 252
Felhasználói útmutató, 251
garancia, 252
on-line, 253
szabályozás, 252
Termékinformációs füzet, 252
Végfelhasználói
licenszerződés, 252
Drivers and Utilities CD, 251

E

ergonómiai adatok, 252

F

Felhasználói útmutató, 251
fény
üzem, 260, 264
fényjelzések
rendszer, 295

G

garancia, 252

H

hangkódok, 298
hardver
Dell-diagnosztika, 292

hangkódok, 298
ütközések, 299

Hardver hibakereső, 299

hibaelhárítás
Súgó és támogatás
központ, 252

hibakeresés

a számítógép visszaállítása egy
korábbi, működőképes
állapotra, 300
Dell-diagnosztika, 292
diagnosztikai visszajelzők, 296
hangkódok, 298
Hardver hibakereső, 299
rendszer fényjelzések, 295
ütközések, 299

hibaüzenetek
diagnosztikai visszajelzők, 296
hangkódok, 298
rendszer fényjelzések, 295

I

illesztőprogram-lista, 304
IRQ ütközések, 299

O

operációs rendszer
újratelepítés, 252
Windows XP
újratelepítése, 301

Operációs rendszer
telepítőlemeze, 252

P

problémák *hibakeresés*

R

Rendszer-visszaállítás, 300

S

Súgó és támogatás
központ, 252

súgó fájl

Windows Súgó és támogatás
központ, 252

Szervizcímke, 253

szoftver

ütközések, 299

T

támogatási weboldal, 253

Termékinformációs füzet, 252

törvényi szabályozás, 252

U

újrategítés

Windows XP, 301

ütközések

szoftver és hardver
inkompatibilitási
problémák, 299

üzem

fény, 260, 264

üzemjelző fény

diagnosztikai problémák, 295

V

Végfelhasználói

licenszerződés, 252

visszajelzők

diagnosztika, 296

W

Windows XP

Hardver hibakereső, 299

Rendszer-visszaállítás, 300

setup, 303

Súgó és támogatás

központ, 252

újrategítés, 252, 301

Dell™ OptiPlex™ 745

Szybki informator o systemie

Modele DCTR, DCNE, DCSM i DCCY

www.dell.com | support.euro.dell.com

Uwagi, pouczenia i ostrzeżenia



UWAGA: UWAGA oznacza ważną wiadomość, która pomoże lepiej wykorzystać komputer.



POUCZENIE: POUCZENIE wskazuje na możliwość uszkodzenia sprzętu lub utraty danych i informuje o sposobie uniknięcia problemu.



OSTRZEŻENIE: OSTRZEŻENIE informuje o sytuacjach, w których występuje ryzyko uszkodzenia sprzętu, obrażeń lub śmierci.

W przypadku zakupu komputera firmy Dell™ serii n żadne odwołania w tym dokumencie dotyczące systemu operacyjnego Microsoft® Windows® nie mają zastosowania.

Informacje zamieszczone w tym dokumencie mogą zostać zmienione bez uprzedzenia.

© 2006 Dell Inc. Wszelkie prawa zastrzeżone.

Powielanie w jakikolwiek sposób bez pisemnej zgody firmy Dell Inc. jest surowo zabronione.

Znaki towarowe użyte w niniejszym tekście: *Dell*, logo *DELL*, *Inspiron*, *Dell Precision*, *Dimension*, *OptiPlex*, *Latitude*, *PowerEdge*, *PowerVault*, *PowerApp* i *Dell OpenManage* są znakami towarowymi firmy Dell Inc.; *Intel*, *Pentium*, i *Celeron* są zastrzeżonymi znakami towarowymi firmy Intel Corporation; *Microsoft* i *Windows* są zastrzeżonymi znakami towarowymi firmy Microsoft Corporation.

Tekst może zawierać także inne znaki i nazwy towarowe, odnoszące się do podmiotów posiadających prawa do tych znaków i nazw lub do ich produktów. Firma Dell. nie rości sobie praw własności do marek i nazw towarowych innych niż jej własne.

Modele DCTR, DCNE, DCSM i DCCY

Sierpień 2006 r.

N/C FH898

Wersja A00

Spis treści

Wyszukiwanie informacji	311
Widoki komputera	315
Komputer w obudowie typu miniwieża — Widok od przodu	315
Komputer w obudowie typu miniwieża — Widok od tyłu	317
Komputer w obudowie typu miniwieża — Złącza na panelu tylnym.	318
Komputer stacjonarny — Widok od przodu	320
Komputer stacjonarny — Widok od tyłu.	321
Komputer stacjonarny — Złącza na panelu tylnym.	322
Komputer w obudowie typu SFF — Widok od przodu	324
Komputer w obudowie typu SFF — Widok od tyłu.	325
Komputer w obudowie typu SFF — Złącza na tylnym panelu.	326
Komputer w obudowie typu USFF — Widok od przodu	328
Komputer w obudowie typu USFF — Widok z boku	329
Komputer typu USFF — Widok od tyłu	330
Komputer typu USFF — Złącza na tylnym panelu	330
Zdejmowanie pokrywy komputera	331
Zanim zaczniesz	332
Komputer w obudowie typu miniwieża	333
Komputer stacjonarny	334
Komputer w obudowie typu SFF	335
Komputer w obudowie typu USFF.	337
Wnętrze komputera	339
Komputer w obudowie typu miniwieża	339
Komputer stacjonarny	342
Komputer w obudowie typu SFF	345
Komputer w obudowie typu USFF (Ultra Small Form Factor)	348
Przygotowywanie komputera do pracy	350
Konfiguracja klawiatury i myszy	352
Konfiguracja monitora	352
Połączenia zasilania.	353
Rozwiązywanie problemów	353
Program Dell Diagnostics	353
Lampki systemowe.	356

Lampki diagnostyczne	357
Kody dźwiękowe	359
Rozwiązywanie problemów dotyczących niezgodności oprogramowania i sprzętu	360
Korzystanie z funkcji przywracania systemu Microsoft Windows XP	361
Ponowna instalacja systemu Microsoft Windows XP.	362
Korzystanie z dysku CD Drivers and Utilities	365
Sterowniki do komputera	365
Indeks	367

Co chcesz znaleźć?

- Wyjmowanie i wymiana podzespołów
- Dane techniczne
- Konfiguracja ustawień systemowych
- Rozwiązywanie problemów

-
- Informacje dotyczące gwarancji
 - Warunki sprzedaży na terenie Stanów Zjednoczonych
 - Instrukcje dotyczące bezpieczeństwa
 - Informacje dotyczące przepisów prawnych
 - Informacje dotyczące ergonomii
 - Umowa licencyjna końcowego użytkownika

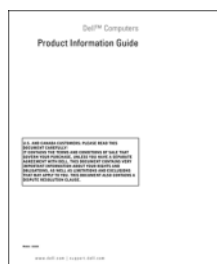
Znajdziesz tutaj**Podręcznik użytkownika Dell™ OptiPlex™**

Centrum pomocy technicznej i obsługi dla systemu Microsoft Windows XP

1 Kliknij **Start**→ **Help and Support** (Pomoc i obsługa techniczna)→ **Dell User and System Guides** (Przewodniki użytkownika i systemowe firmy Dell)→ **System Guides** (Przewodniki systemowe).

2 Kliknij *Podręcznik użytkownika* dla danego komputera.

Podręcznik użytkownika można również znaleźć na opcjonalnym dysku CD *Drivers and Utilities*.

Przewodnik z informacjami o produkcie firmy Dell™

Co chcesz znaleźć?

- Ponowna instalacja systemu operacyjnego

Znajdziesz tutaj

Dysk CD z systemem operacyjnym

UWAGA: Dysk CD z *systemem operacyjnym* jest opcjonalny i może nie być wysyłany ze wszystkimi komputerami.

System operacyjny jest już zainstalowany w komputerze. Użyj dysku CD *Operating System*, aby ponownie zainstalować system operacyjny (instrukcje znajdują się w rozdziale „Ponowna instalacja systemu Microsoft Windows XP“ na stronie 362).



Po dokonaniu ponownej instalacji systemu operacyjnego należy użyć opcjonalnego dysku CD *Drivers and Utilities (ResourceCD)* w celu ponownego zainstalowania sterowników urządzeń dostarczonych wraz z komputerem. Aby uzyskać

dalsze informacje, patrz „Dysk CD Drivers and Utilities (ResourceCD)“ na stronie 311.

Etykieta z kluczem systemu operacyjnego znajduje się na komputerze (patrz „Numer seryjny i klucz systemu Microsoft® Windows®“ na stronie 313).

UWAGA: Kolor dysku CD *Operating System* różni się w zależności od zamówionego systemu operacyjnego.

-
- Jak korzystać z systemu Windows XP
 - Jak pracować z programami i plikami
 - Jak spersonalizować pulpit

Centrum pomocy i obsługi technicznej systemu Windows

- 1 Kliknij kolejno **Start** → **Help and Support** (Pomoc i obsługa techniczna).
- 2 Wpisz słowo lub frazę opisujące problem i kliknij ikonę strzałki.
- 3 Kliknij temat opisujący problem.
- 4 Postępuj według instrukcji wyświetlanych na ekranie.

-
- Numer seryjny i kod ekspresowej obsługi
 - Etykieta z kluczem systemu Microsoft Windows

Numer seryjny i klucz systemu Microsoft® Windows®

Te etykiety znajdują się na komputerze.

- Numer seryjny pozwala zidentyfikować komputer podczas korzystania z witryny support.euro.dell.com lub kontaktu z pomocą techniczną.
- Wprowadź kod usług ekspresowych, aby przekierować połączenie, kontaktując się z pomocą techniczną.



Co chcesz znaleźć?

- Solutions (Rozwiązania) — Wskazówki dotyczące rozwiązywania problemów, porady, artykuły techniczne, kursy online i często zadawane pytania
- Community (Społeczność) — Dyskusje online z innymi klientami firmy Dell
- Upgrades (Aktualizacje) — Informacje aktualizacyjne dotyczące takich komponentów jak pamięć, dysk twardy i system operacyjny
- Customer Care (Obsługa klienta) — Informacje kontaktowe, o stanie zamówień i zgłoszeń serwisowych, gwarancyjne i dotyczące napraw
- Service and support (Serwis i pomoc techniczna) — Informacje o stanie zgłoszenia i historii pomocy, umowie serwisowej oraz możliwość rozmowy online z pracownikiem pomocy technicznej
- Reference (Odsyłacze) — Umożliwiają przejście do dokumentacji komputera, szczegółowych informacji o konfiguracji komputera, specyfikacji produktów oraz artykułów
- Downloads (Pliki do pobrania) — Certyfikowane sterowniki, poprawki i aktualizacje oprogramowania
- Oprogramowanie narzędziowe DSS (Desktop System Software) — W przypadku ponownej instalacji systemu operacyjnego należy również zainstalować ponownie narzędzie DSS. Program DSS automatycznie wykrywa komputer i system operacyjny użytkownika, a następnie instaluje aktualizacje zgodnie z ustawieniami, tym samym zapewniając ważne uaktualnienia systemu operacyjnego oraz obsługę 3,5-calowych dyskietek USB Dell™, procesorów Intel®[®], napędów optycznych i urządzeń USB. Narzędzie DSS jest niezbędne do prawidłowego działania komputera firmy Dell.

Znajdziesz tutaj

Witryna internetowa pomocy technicznej firmy Dell — support.euro.dell.com

UWAGA: Wybierz właściwy region lub sektor biznesowy, aby wyświetlić odpowiednią stronę pomocy technicznej.

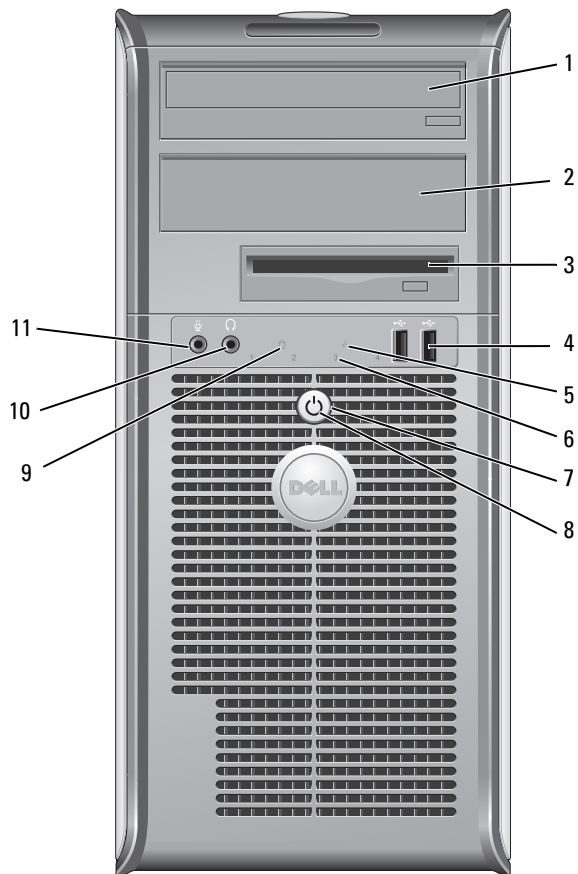
Aby pobrać program DSS:

- 1 Wejdź na stronę support.euro.dell.com, wybierz odpowiedni region lub sektor biznesowy, a następnie wprowadź numer seryjny.
- 2 Wybierz opcję **Drivers & Downloads** (Sterowniki i pliki do pobrania) i kliknij **Go** (Przejdź).
- 3 Kliknij odpowiedni system operacyjny i wyszukaj słowo kluczowe *Desktop System Software*.

UWAGA: Interfejs użytkownika witryny support.euro.dell.com może się różnić w zależności od wybranych opcji.


Widoki komputera


Komputer w obudowie typu miniwieża — Widok od przodu



- | | | |
|----|----------------------------------|---|
| 1 | wnęka na napęd 5,25 cala | Może zawierać napęd optyczny. Do tego napędu należy wkładać dyski CD lub DVD (jeśli są obsługiwane). |
| 2 | wnęka na napęd 5,25 cala | Może zawierać napęd optyczny. Do tego napędu należy wkładać dyski CD lub DVD (jeśli są obsługiwane). |
| 3 | wnęka na napęd 3,5 cala | Może zawierać opcjonalny napęd dyskietek lub opcjonalny czytnik kart pamięci. |
| 4 | złącza USB 2.0 (2) | Złącza USB z przodu komputera należy używać do podłączania rzadko używanych urządzeń, takich jak joystick czy kamera lub urządzeń rozruchowych USB (więcej informacji na temat rozruchu z urządzeń USB można znaleźć w wersji elektronicznej <i>Podręcznika użytkownika</i>).

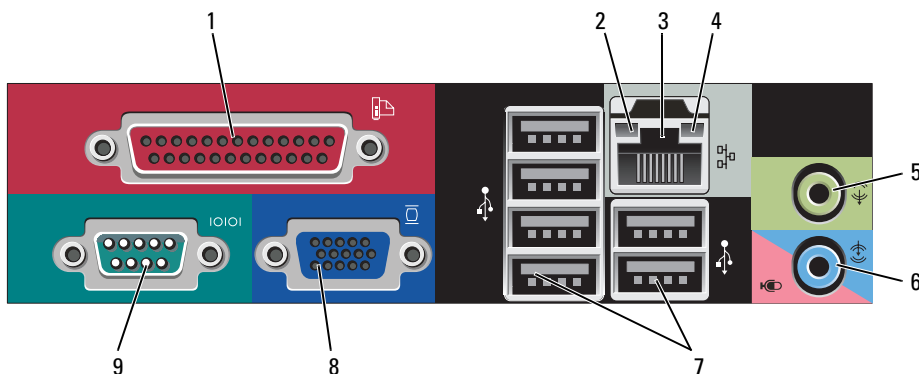
Korzystanie z tylnych złączy USB zalecane jest w przypadku urządzeń podłączanych na stałe, takich jak klawiatura czy drukarka. |
| 5 | wskaźnik sieci LAN | Ta lampka wskazuje, że zostało nawiązane połączenie z siecią LAN. |
| 6 | lampki diagnostyczne | Lampki są pomocne podczas rozwiązywania problemów z komputerem na podstawie kodów diagnostycznych. Aby uzyskać dalsze informacje, patrz „Lampki diagnostyczne“ na stronie 357. |
| 7 | przycisk zasilania | Ten przycisk powoduje uruchomienie komputera.

 POUCZENIE: Aby zapobiec utracie danych, nie należy używać przycisku zasilania do wyłączenia komputera. Należy zamknąć system operacyjny. Aby uzyskać dalsze informacje, patrz „Zanim zaczniesz“ na stronie 332.

 POUCZENIE: Jeżeli w systemie operacyjnym jest włączona funkcja ACPI, naciśnięcie przycisku zasilania komputera spowoduje zamknięcie systemu operacyjnego. |
| 8 | lampka zasilania | Lampka zasilania miga lub świeci światłem ciągłym, wskazując różne stany pracy: <ul style="list-style-type: none"> • Nie świeci — Komputer jest wyłączony. • Świeci stale na zielono — Komputer znajduje się w stanie normalnej pracy. • Miga na zielono — Komputer znajduje się w trybie oszczędzania energii. • Miga lub świeci na pomarańczowo — Patrz wersja elektroniczna <i>Podręcznika użytkownika</i>. <p>Aby wyjść z trybu oszczędzania energii, należy nacisnąć przycisk zasilania lub użyć klawiatury albo myszy, jeśli są skonfigurowane jako urządzenie budzące w programie Device Manager (Menedżer urządzeń) systemu Windows. Więcej informacji na temat trybów uśpienia i wychodzenia ze stanu oszczędzania energii można znaleźć w wersji elektronicznej <i>Podręcznika użytkownika</i>.</p> <p>Opis kodów lampek, które są pomocne przy rozwiązywaniu problemów z komputerem, można znaleźć w sekcji „Lampki systemowe“ na stronie 356.</p> |
| 9 | lampka aktywności dysku twardego | Lampka ta miga podczas uzyskiwania dostępu do dysku twardego. |
| 10 | złącze słuchawkowe | Złącze słuchawkowe umożliwia podłączenie słuchawek i większości głośników. |
| 11 | złącze mikrofonu | Złącze mikrofonu umożliwia podłączenie mikrofonu. |

- | | | |
|---|-----------------------------|--|
| 3 | przełącznik wyboru napięcia | <p>Komputer jest wyposażony w przełącznik ręcznego wyboru wartości napięcia. Aby uniknąć uszkodzenia komputera przez niewłaściwe ustawienie przełącznika ręcznego wyboru wartości napięcia, przełącznik należy ustawić na wartość napięcia najbardziej zbliżoną do parametrów źródła zasilania dostępnego w miejscu pobytu.</p> <p>➡ POUCZENIE: Przełącznik wyboru wartości napięcia należy ustawić w położeniu 115 V, mimo że napięcie źródła zasilania w Japonii wynosi 100 V.</p> <p>Należy także upewnić się, że monitor i podłączone urządzenia spełniają wymagania dotyczące zasilania umożliwiające im działanie w regionie użytkownika.</p> |
| 4 | złącze zasilania | Umożliwia podłączenie kabla zasilania. |
| 5 | złącza na tylnym panelu | Służą do podłączania urządzeń szeregowych, USB i innych (patrz „Komputer w obudowie typu miniwieża — Złącza na panelu tylnym“ na stronie 318). |
| 6 | gniazda kart | Umożliwiają dostęp do złączy zainstalowanych kart PCI i PCI Express. |

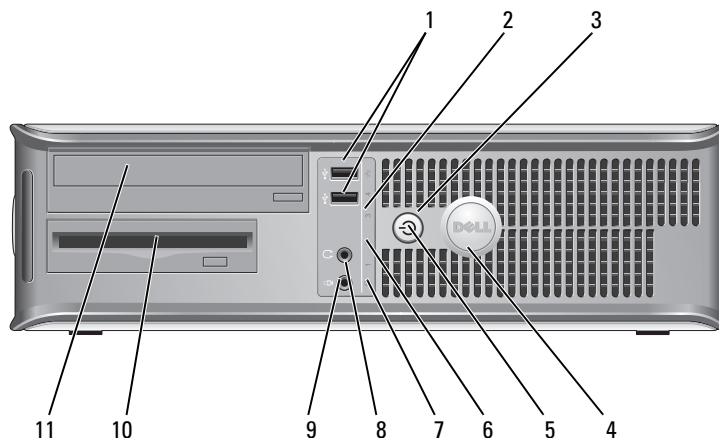
Komputer w obudowie typu miniwieża — Złącza na panelu tylnym



- | | | |
|---|-------------------------------|---|
| 1 | złącze równoległe | <p>Do złącza równoległego podłącza się urządzenia równoległe, takie jak drukarki. Drukarkę USB należy podłączyć do złącza USB.</p> <p>UWAGA: Wbudowane złącze równoległe jest automatycznie wyłączane, jeśli komputer wykryje zainstalowaną kartę zawierającą złącze równoległe korzystające z tego samego adresu. Więcej informacji można znaleźć w wersji elektronicznej <i>Podręcznika użytkownika</i>.</p> |
| 2 | kontrolka integralności łącza | <ul style="list-style-type: none"> • Zielona — Stabilne połączenie pomiędzy komputerem a siecią o przepustowości 10 Mb/s. • Pomarańczowa — Stabilne połączenie pomiędzy komputerem a siecią o przepustowości 100 Mb/s. • Żółta — Istnieje dobre połączenie pomiędzy komputerem a siecią o przepustowości 1 Gb/s (lub 1000 Mb/s). • Wyłączona — Komputer nie wykrywa fizycznego połączenia z siecią. |

- 3 złącze karty sieciowej Aby podłączyć komputer do sieci lub modemu szerokopasmowego, podłącz jeden koniec kabla sieciowego do gniazda sieciowego, sieci lub modemu szerokopasmowego. Podłącz drugi koniec kabla sieciowego do złącza karty sieciowej z tyłu komputera. Kliknięcie oznacza, że kabel sieciowy został właściwie umocowany.
UWAGA: Nie podłączaj kabla telefonicznego do gniazda sieciowego.
W komputerach z kartą sieciową należy użyć złącza na karcie.
Zaleca się stosowanie w sieciach okablowania oraz złączy kategorii 5. Jeśli istnieje konieczność użycia okablowania kategorii 3, należy ustawić szybkość sieci na 10 Mb/s, aby zapewnić prawidłowe działanie.
- 4 lampka aktywności sieci Miga na żółto, gdy komputer przesyła lub odbiera dane z sieci. Duże natężenie ruchu sieciowego może spowodować, że lampka będzie stale włączona.
- 5 złącze wyjścia liniowego Zielone złącze wyjścia liniowego umożliwia podłączenie słuchawek i większości głośników z wbudowanym wzmacniaczem.
- 6 złącze wejścia liniowego/mikrofonu Niebieskie i różowe złącze wejścia liniowego/mikrofonu służy do podłączania takiego urządzenia nagrywającego/odtwarzającego, jak odtwarzacz kasetowy, odtwarzacz dysków CD lub magnetowid albo mikrofon komputerowy w celu wprowadzenia danych dźwiękowych do programu dźwiękowego lub telefonicznego.
- 7 złącza USB 2.0 (6) Tylnych złączy USB należy używać dla urządzeń podłączanych na stałe, takich jak klawiatura czy drukarka.
- 8 złącze karty graficznej Podłącz kabel monitora zgodnego z VGA do niebieskiego złącza.
UWAGA: Jeżeli zakupiona została opcjonalna karta graficzna, złącze to będzie zakryte nakładką. Podłącz monitor do złącza na karcie graficznej. Nie zdejmuj nakładki.
UWAGA: W przypadku karty wideo obsługującej dwa monitory należy użyć podwójnego kabla dostarczonego z komputerem.
- 9 złącze portu szeregowego Umożliwia podłączenie do portu szeregowego urządzeń szeregowych, takich jak urządzenia przenośne. Domyślne ustawienia to COM1 dla złącza szeregowego 1 oraz COM2 dla złącza szeregowego 2.
Więcej informacji można znaleźć w wersji elektronicznej *Podręcznika użytkownika*.

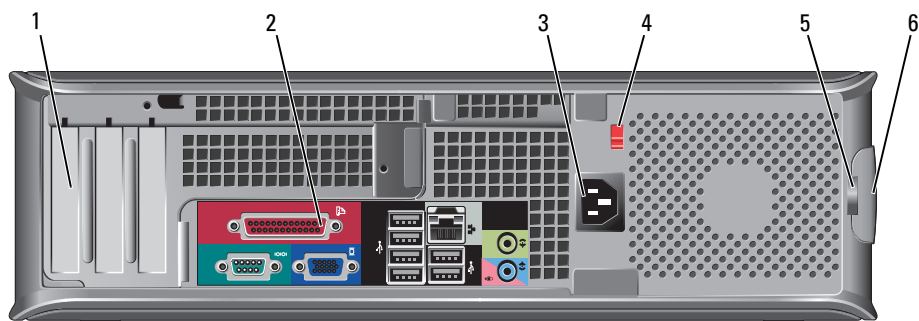
Komputer stacjonarny — Widok od przodu



- 1 złącza USB 2.0 (2) Złącza USB z przodu komputera należy używać do podłączania rzadko używanych urządzeń, takich jak joystick czy kamera lub urządzeń rozruchowych USB (więcej informacji na temat rozruchu z urządzeń USB można znaleźć w wersji elektronicznej *Podręcznika użytkownika*).
Korzystanie z tylnych złączy USB zalecane jest w przypadku urządzeń podłączanych na stałe, takich jak klawiatura czy drukarka.
- 2 wskaźnik sieci LAN Ta lampka wskazuje, że zostało nawiązane połączenie z siecią LAN.
- 3 przycisk zasilania Naciśnięcie tego przycisku powoduje uruchomienie komputera.
➔ POUCZENIE: Aby zapobiec utracie danych, nie należy używać przycisku zasilania do wyłączania komputera. Należy zamknąć system operacyjny. Aby uzyskać dalsze informacje, patrz „Zanim zaczniesz” na stronie 332.
➔ POUCZENIE: Jeżeli w systemie operacyjnym jest włączona funkcja ACPI, naciśnięcie przycisku zasilania komputera spowoduje zamknięcie systemu operacyjnego.
- 4 znaczek Dell Ten znaczek można obrócić tak, aby odpowiadał orientacji komputera. Aby go obrócić, należy chwycić palcami znaczek z zewnątrz, nacisnąć go i obrócić. Znaczek można obrócić również za pomocą gniazda znajdującego się obok dołu znaczka.

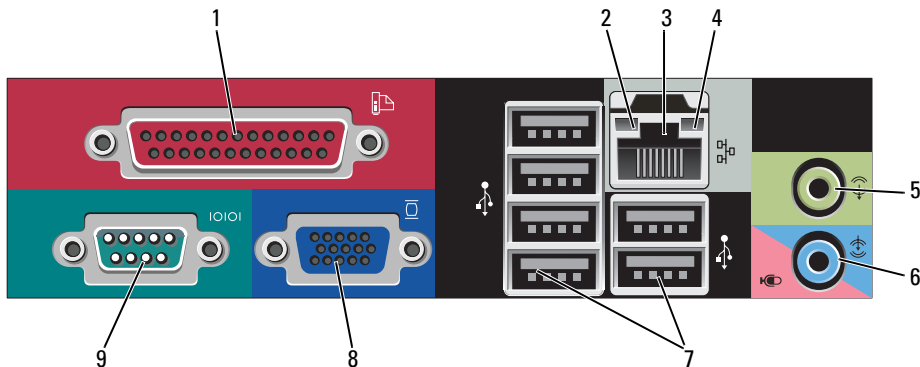
- | | | |
|----|----------------------------------|---|
| 5 | lampka zasilania | <p>Lampka zasilania miga lub świeci światłem ciągłym, wskazując różne stany pracy:</p> <ul style="list-style-type: none"> • Nie świeci — Komputer jest wyłączony. • Świeci stale na zielono — Komputer znajduje się w stanie normalnej pracy. • Miga na zielono — Komputer znajduje się w trybie oszczędzania energii. • Miga lub świeci na pomarańczowo — Patrz wersja elektroniczna <i>Podręcznika użytkownika</i>. <p>Aby wyjść z trybu oszczędzania energii, należy nacisnąć przycisk zasilania lub użyć klawiatury albo myszy, jeśli są skonfigurowane jako urządzenie budzące w programie Device Manager (Menedżer urządzeń) systemu Windows. Więcej informacji na temat trybów uśpienia i wychodzenia ze stanu oszczędzania energii można znaleźć w wersji elektronicznej <i>Podręcznika użytkownika</i>.</p> <p>Opis kodów lampek pomocnych przy rozwiązywaniu problemów z komputerem można znaleźć w sekcji „Lampki systemowe“ na stronie 356.</p> |
| 6 | lampki diagnostyczne | Lampki są pomocne podczas rozwiązywania problemów z komputerem na podstawie kodów diagnostycznych. Więcej informacji można znaleźć w części „Lampki diagnostyczne“ na stronie 357. |
| 7 | lampka aktywności dysku twardego | Lampka ta miga podczas uzyskiwania dostępu do dysku twardego. |
| 8 | złącze słuchawkowe | Złącze słuchawkowe umożliwia podłączenie słuchawek i większości głośników. |
| 9 | złącze mikrofonu | Złącze mikrofonu umożliwia podłączenie mikrofonu. |
| 10 | wnęka na napęd 3,5 cala | Może zawierać opcjonalny napęd dyskietek lub opcjonalny czytnik kart pamięci. |
| 11 | wnęka na napęd 5,25 cala | Może zawierać napęd optyczny. Do tego napędu należy wkładać dyski CD lub DVD (jeśli są obsługiwane). |

Komputer stacjonarny — Widok od tyłu



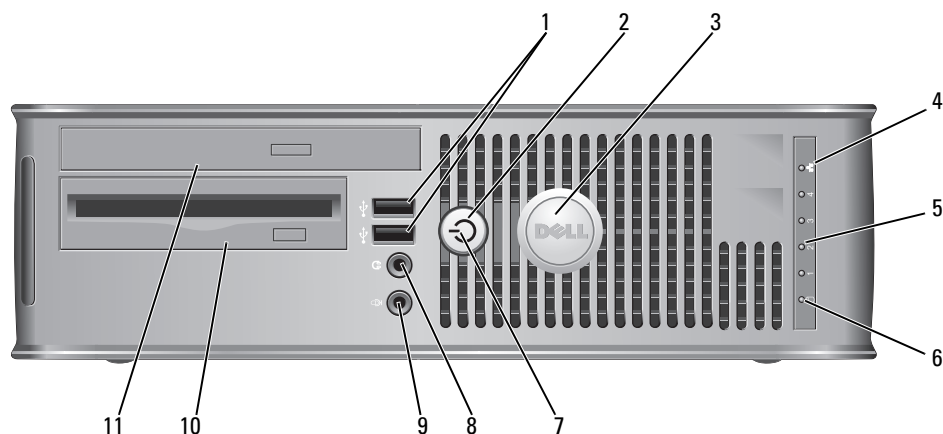
- | | | |
|---|------------------------------|---|
| 1 | gniazda kart | Umożliwiają dostęp do złączy zainstalowanych kart PCI i PCI Express. |
| 2 | złącza na tylnym panelu | Służą do podłączania urządzeń szeregowych, USB i innych (patrz „Komputer stacjonarny — Złącza na panelu tylnym“ na stronie 322). |
| 3 | złącze zasilania | Umożliwia podłączenie kabla zasilania. |
| 4 | przełącznik wyboru napięcia | Komputer jest wyposażony w przełącznik ręcznego wyboru wartości napięcia.
Aby uniknąć uszkodzenia komputera przez niewłaściwe ustawienie przełącznika ręcznego wyboru wartości napięcia, przełącznik należy ustawić na wartość napięcia najbardziej zbliżoną do parametrów źródła zasilania dostępnego w miejscu pobytu. |
| | | POUCZENIE: Przełącznik wyboru wartości napięcia należy ustawić w położeniu 115 V, mimo że napięcie źródła zasilania w Japonii wynosi 100 V. |
| | | Należy także upewnić się, że monitor i podłączone urządzenia spełniają wymagania dotyczące zasilania, umożliwiające im działanie w regionie użytkownika. |
| 5 | ucho klódki | Aby zablokować pokrywę komputera, należy założyć blokadę. |
| 6 | zatrząsk zwalniający pokrywę | Umożliwia otwarcie obudowy komputera. |

Komputer stacjonarny — Złącza na panelu tylnym



- | | | |
|---|------------------------------------|---|
| 1 | złącze równoległe | <p>Do złącza równoległego podłącza się urządzenia równoległe, takie jak drukarki. Drukarkę USB należy podłączyć do złącza USB.</p> <p>UWAGA: Wbudowane złącze równoległe jest automatycznie wyłączane, jeśli komputer wykryje zainstalowaną kartę zawierającą złącze równoległe korzystające z tego samego adresu. Więcej informacji można znaleźć w wersji elektronicznej <i>Podręcznika użytkownika</i>.</p> |
| 2 | kontrolka integralności łącza | <ul style="list-style-type: none"> • Zielona — Stabilne połączenie pomiędzy komputerem a siecią o przepustowości 10 Mb/s. • Pomarańczowa — Stabilne połączenie pomiędzy komputerem a siecią o przepustowości 100 Mb/s. • Żółta — Istnieje dobre połączenie pomiędzy komputerem a siecią o przepustowości 1 Gb/s (lub 1000 Mb/s). • Wyłączona — Komputer nie wykrywa fizycznego połączenia z siecią. |
| 3 | złącze karty sieciowej | <p>Aby podłączyć komputer do sieci lub modemu szerokopasmowego, podłącz jeden koniec kabla sieciowego do gniazda sieciowego, sieci lub modemu szerokopasmowego. Podłącz drugi koniec kabla sieciowego do złącza karty sieciowej z tyłu komputera. Kliknięcie oznacza, że kabel sieciowy został właściwie umocowany.</p> <p>UWAGA: Nie podłączaj kabla telefonicznego do gniazda sieciowego.</p> <p>W komputerach z kartą sieciową należy użyć złącza na karcie.</p> <p>Zaleca się stosowanie w sieciach okablowania oraz złączy kategorii 5. Jeśli istnieje konieczność użycia okablowania kategorii 3, należy ustawić szybkość sieci na 10 Mb/s, aby zapewnić prawidłowe działanie.</p> |
| 4 | lampka aktywności sieci | <p>Miga na żółto, gdy komputer przesyła lub odbiera dane z sieci. Duże natężenie ruchu sieciowego może spowodować, że lampka będzie stale włączona.</p> |
| 5 | złącze wyjścia liniowego | <p>Zielone złącze wyjścia liniowego umożliwia podłączenie słuchawek i większości głośników z wbudowanym wzmacniaczem.</p> |
| 6 | złącze wejścia liniowego/mikrofonu | <p>Niebieskie i różowe złącze wejścia liniowego/mikrofonu służy do podłączania takiego urządzenia nagrywającego/odtwarzającego, jak odtwarzacz kasetowy, odtwarzacz dysków CD lub magnetowid albo mikrofon komputerowy w celu wprowadzenia danych dźwiękowych do programu dźwiękowego lub telefonicznego.</p> |
| 7 | złącza USB 2.0 (6) | <p>Tylnych złączy USB należy używać dla urządzeń podłączanych na stałe, takich jak klawiatura czy drukarka.</p> |
| 8 | złącze karty graficznej | <p>Podłącz kabel monitora zgodnego z VGA do niebieskiego złącza.</p> <p>UWAGA: Jeżeli zakupiona została opcjonalna karta graficzna, złącze to będzie zakryte nakładką. Podłącz monitor do złącza na karcie graficznej. Nie zdejmuj nakładki.</p> <p>UWAGA: W przypadku karty wideo obsługującej dwa monitory należy użyć podwójnego kabla, dostarczonego z komputerem.</p> |
| 9 | złącze portu szeregowego | <p>Umożliwia podłączenie do portu szeregowego urządzeń szeregowych, takich jak urządzenia przenośne. Domyślne ustawienia to COM1 dla złącza szeregowego 1 oraz COM2 dla złącza szeregowego 2.</p> <p>Więcej informacji można znaleźć w wersji elektronicznej <i>Podręcznika użytkownika</i>.</p> |

Komputer w obudowie typu SFF — Widok od przodu



- | | | |
|---|----------------------------------|---|
| 1 | złącza USB 2.0 (2) | <p>Złącza USB z przodu komputera należy używać do podłączania rzadko używanych urządzeń, takich jak joystick czy kamera lub urządzeń rozruchowych USB (więcej informacji na temat rozruchu z urządzeń USB można znaleźć w wersji elektronicznej <i>Podręcznika użytkownika</i>).</p> <p>Korzystanie z tylnych złączy USB zalecane jest w przypadku urządzeń podłączanych na stałe, takich jak klawiatura czy drukarka.</p> |
| 2 | przycisk zasilania | <p>Ten przycisk należy nacisnąć, aby uruchomić komputer</p> <p>POUCZENIE: Aby zapobiec utracie danych, nie należy używać przycisku zasilania do wyłączenia komputera. Należy zamknąć system operacyjny. Aby uzyskać dalsze informacje, patrz „Zanim zaczniesz” na stronie 332.</p> <p>POUCZENIE: Jeżeli w systemie operacyjnym jest włączona funkcja ACPI, naciśnięcie przycisku zasilania komputera spowoduje zamknięcie systemu operacyjnego.</p> |
| 3 | znaczek Dell | <p>Można go obrócić tak, aby odpowiadał orientacji komputera. Aby go obrócić, należy chwycić palcami znaczek z zewnątrz, nacisnąć go i obrócić. Znaczek można obrócić również za pomocą gniazda znajdującego się obok dołu znacзка.</p> |
| 4 | wskaźnik sieci LAN | <p>Wskazuje, że zostało nawiązane połączenie z siecią LAN.</p> |
| 5 | lampki diagnostyczne | <p>Lampki są pomocne podczas rozwiązywania problemów z komputerem na podstawie kodów diagnostycznych. Aby uzyskać dalsze informacje, patrz „Lampki diagnostyczne” na stronie 357.</p> |
| 6 | lampka aktywności dysku twardego | <p>Lampka ta miga podczas uzyskiwania dostępu do dysku twardego.</p> |

7 lampka zasilania

Lampka zasilania miga lub świeci światłem ciągłym, wskazując różne stany pracy:

- Nie świeci — Komputer jest wyłączony.
- Świeci stale na zielono — Komputer znajduje się w stanie normalnej pracy.
- Miga na zielono — Komputer znajduje się w trybie oszczędzania energii.
- Miga lub świeci na pomarańczowo — Patrz wersja elektroniczna *Podręcznika użytkownika*.

Aby wyjść z trybu oszczędzania energii, należy nacisnąć przycisk zasilania lub użyć klawiatury albo myszy, jeśli są skonfigurowane jako urządzenie budzące w programie Device Manager (Menedżer urządzeń) systemu Windows. Więcej informacji na temat trybów uśpienia i wychodzenia ze stanu oszczędzania energii można znaleźć w wersji elektronicznej *Podręcznika użytkownika*.

Patrz „Lampki systemowe“ na stronie 356 opis kodów lampek, które są pomocne przy rozwiązywaniu problemów z komputerem.

8 złącze słuchawkowe

Złącze słuchawek umożliwia podłączenie słuchawek i większości głośników.

9 złącze mikrofonu

Złącze mikrofonu umożliwia podłączenie mikrofonu.

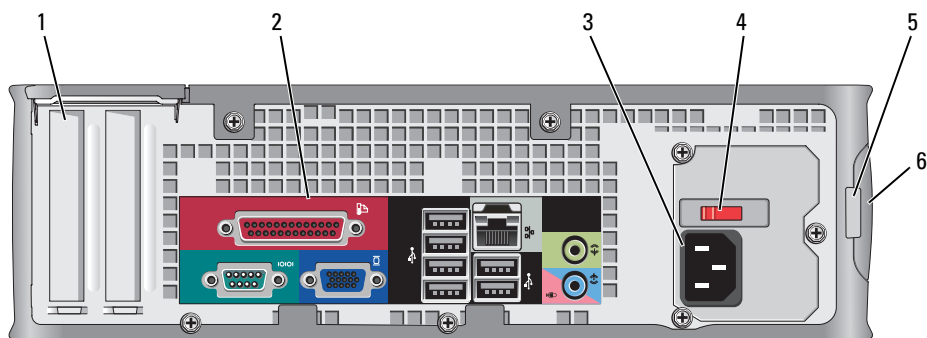
10 wnęka na napęd 3,5 cala

Może zawierać opcjonalny napęd dyskietek lub opcjonalny czytnik kart pamięci.

11 wnęka na napęd 5,25 cala

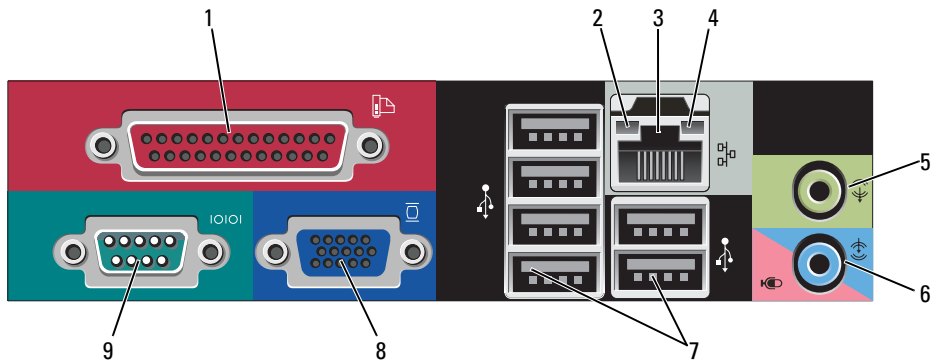
Może zawierać napęd optyczny. Do tego napędu należy wkładać dyski CD lub DVD (jeśli są obsługiwane).

Komputer w obudowie typu SFF — Widok od tyłu



- | | | |
|---|-----------------------------|---|
| 1 | gniazda kart | Umożliwiają dostęp do złączy zainstalowanych kart PCI i PCI Express. |
| 2 | złącza na tylnym panelu | Służą do podłączania urządzeń szeregowych, USB i innych (patrz „Komputer w obudowie typu SFF — Złącza na tylnym panelu“ na stronie 326). |
| 3 | złącze zasilania | Umożliwia podłączenie kabla zasilania. |
| 4 | przełącznik wyboru napięcia | Komputer jest wyposażony w przełącznik ręcznego wyboru wartości napięcia.
Aby uniknąć uszkodzenia komputera przez niewłaściwe ustawienie przełącznika ręcznego wyboru wartości napięcia, przełącznik należy ustawić na wartość napięcia najbardziej zbliżoną do parametrów źródła zasilania dostępnego w miejscu pobytu. |
| | | POUCZENIE: Przełącznik wyboru wartości napięcia należy ustawić w położeniu 115 V, mimo że napięcie źródła zasilania w Japonii wynosi 100 V. |
| | | Należy także upewnić się, że monitor i podłączone urządzenia spełniają wymagania dotyczące zasilania umożliwiające im działanie w regionie użytkownika. |
| 5 | ucho klódki | Aby zablokować pokrywę komputera, należy założyć blokadę. |
| 6 | zatrask zwalniający pokrywę | Umożliwia otwarcie obudowy komputera. |

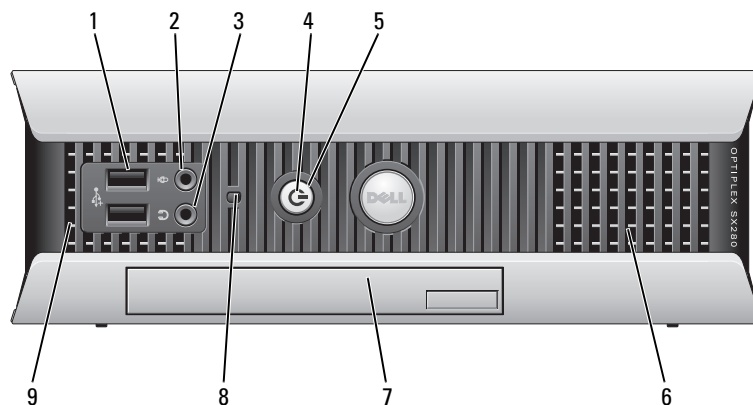
Komputer w obudowie typu SFF — Złącza na tylnym panelu



- | | | |
|---|------------------------------------|---|
| 1 | złącze równoległe | <p>Do złącza równoległego podłącza się urządzenia równoległe, takie jak drukarki. Drukarkę USB należy podłączać do złącza USB.</p> <p>UWAGA: Wbudowane złącze równoległe jest automatycznie wyłączane, jeśli komputer wykryje zainstalowaną kartę zawierającą złącze równoległe korzystające z tego samego adresu. Więcej informacji można znaleźć w wersji elektronicznej <i>Podręcznika użytkownika</i>.</p> |
| 2 | kontrolka integralności łącza | <ul style="list-style-type: none"> • Zielona — Stabilne połączenie pomiędzy komputerem a siecią o przepustowości 10 Mb/s. • Pomarańczowa — Stabilne połączenie pomiędzy komputerem a siecią o przepustowości 100 Mb/s. • Żółta — Istnieje dobre połączenie pomiędzy komputerem a siecią o przepustowości 1 Gb/s (lub 1000 Mb/s). • Wyłączona — Komputer nie wykrywa fizycznego połączenia z siecią. |
| 3 | złącze karty sieciowej | <p>Aby podłączyć komputer do sieci lub modemu szerokopasmowego, podłącz jeden koniec kabla sieciowego do gniazda sieciowego, sieci lub modemu szerokopasmowego. Podłącz drugi koniec kabla sieciowego do złącza karty sieciowej z tyłu komputera. Kliknięcie oznacza, że kabel sieciowy został właściwie umocowany.</p> <p>UWAGA: Nie podłączaj kabla telefonicznego do gniazda sieciowego.</p> <p>W komputerach z kartą sieciową należy użyć złącza na karcie.</p> <p>Zaleca się stosowanie w sieciach okablowania oraz złączy kategorii 5. Jeśli istnieje konieczność użycia okablowania kategorii 3, należy ustawić szybkość sieci na 10 Mb/s, aby zapewnić prawidłowe działanie.</p> |
| 4 | lampka aktywności sieci | <p>Miga na żółto, gdy komputer przesyła lub odbiera dane z sieci. Duże natężenie ruchu sieciowego może spowodować, że lampka będzie stale włączona.</p> |
| 5 | złącze wyjścia liniowego | <p>Zielone złącze wyjścia liniowego (dostępne w komputerach ze zintegrowanym układem dźwiękowym) umożliwia podłączenie słuchawek i większości głośników z wbudowanym wzmacniaczem.</p> |
| 6 | złącze wejścia liniowego/mikrofonu | <p>Niebieskie i różowe złącze wejścia liniowego/mikrofonu (dostępne w komputerach z wbudowanym układem dźwiękowym) służy do podłączania takiego urządzenia nagrywającego/odtwarzającego, jak odtwarzacz kasetowy, odtwarzacz dysków CD lub magnetowid albo mikrofon komputerowy w celu wprowadzenia danych dźwiękowych do programu dźwiękowego lub telefonicznego.</p> |
| 7 | złącza USB 2.0 (6) | <p>Tyłnych złączy USB należy używać dla urządzeń podłączanych na stałe, takich jak klawiatura czy drukarka.</p> |

- 8 złącze karty graficznej Podłącz kabel monitora zgodnego z VGA do niebieskiego złącza.
UWAGA: Jeżeli zakupiona została opcjonalna karta graficzna, złącze to będzie zakryte nakładką. Podłącz monitor do złącza na karcie graficznej. Nie zdejmuj nakładki.
UWAGA: W przypadku karty wideo obsługującej dwa monitory należy użyć podwójnego kabla, dostarczonego z komputerem.
- 9 złącze portu szeregowego Umożliwia podłączenie do portu szeregowego urządzeń szeregowych, takich jak urządzenia przenośne. Domyślne ustawienia to COM1 dla złącza szeregowego 1 oraz COM2 dla złącza szeregowego 2.
 Więcej informacji można znaleźć w wersji elektronicznej *Podręcznika użytkownika*.

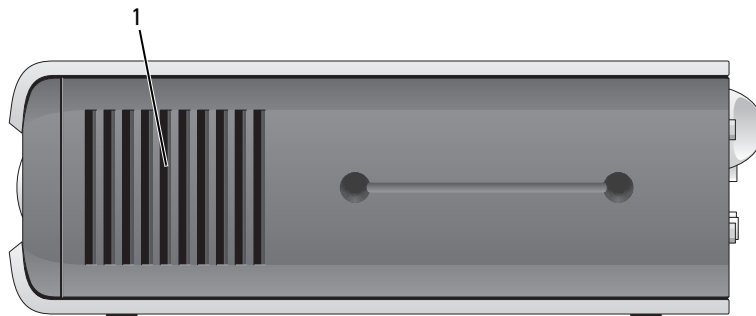
Komputer w obudowie typu USFF — Widok od przodu



- 1 złącza USB (2) Złącza USB z przodu komputera należy używać do podłączania rzadko używanych urządzeń, takich jak joystick czy kamera lub urządzeń rozruchowych USB (więcej informacji na temat rozruchu z urządzeń USB można znaleźć w wersji elektronicznej *Podręcznika użytkownika*).
 Korzystanie z tylnych złączy USB zalecane jest w przypadku urządzeń podłączanych na stałe, takich jak klawiatura czy drukarka.
- 2 złącze słuchawkowe Złącze słuchawkowe umożliwia podłączenie słuchawek i większości głośników.
- 3 złącze mikrofonu Złącze mikrofonu umożliwia podłączenie mikrofonu.

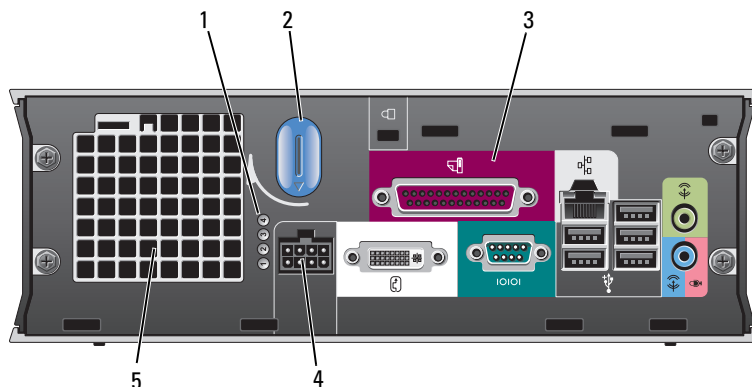
- 4 wskaźnik zasilania Lampka zasilania miga lub świeci światłem stałym, aby wskazać różne stany:
- Nie świeci — Komputer jest wyłączony.
 - Świeci stale na zielono — Komputer znajduje się w stanie normalnej pracy.
 - Miga na zielono — Komputer znajduje się w trybie oszczędzania energii.
 - Miga lub świeci na żółto — Patrz wersja elektroniczna *Podręcznika użytkownika*.
- Aby wyjść z trybu oszczędzania energii, należy nacisnąć przycisk zasilania lub użyć klawiatury albo myszy, jeśli są skonfigurowane jako urządzenie budzące w programie Device Manager (Menedżer urządzeń) systemu Windows. Więcej informacji na temat stanów uśpienia i wychodzenia ze stanu oszczędzania energii można znaleźć w wersji elektronicznej *Podręcznika użytkownika*.
- Opis kodów lampek, które są pomocne przy rozwiązywaniu problemów z komputerem, można znaleźć w sekcji „Lampki systemowe” na stronie 356.
- 5 przycisk zasilania Ten przycisk należy nacisnąć, aby uruchomić komputer.
- ➡ POUCZENIE:** Aby zapobiec utracie danych, nie należy używać przycisku zasilania do wyłączania komputera. Należy zamknąć system operacyjny. Aby uzyskać dalsze informacje, patrz „Zanim zaczniesz” na stronie 332.
- 6 otwory wentylacyjne Otwory wentylacyjne zapobiegają przegrzaniu komputera. Aby zapewnić prawidłową wentylację, nie należy blokować otworów wentylacyjnych.
- 7 wnęka modułowa Wnęka modułowa służy do instalowania napędu optycznego modułu D, drugiego dysku twardego lub napędu dyskietek.
- 8 lampka dostępu do napędu dysku twardego Lampka dostępu do napędu dysku twardego świeci, gdy komputer odczytuje dane z dysku twardego lub zapisuje je na dysku twardym. Lampka ta może również świecić, gdy działają takie urządzenia jak odtwarzacz CD.
- 9 otwory wentylacyjne Otwory wentylacyjne zapobiegają przegrzaniu komputera. Aby zapewnić prawidłową wentylację, nie należy blokować otworów wentylacyjnych.

Komputer w obudowie typu USFF — Widok z boku



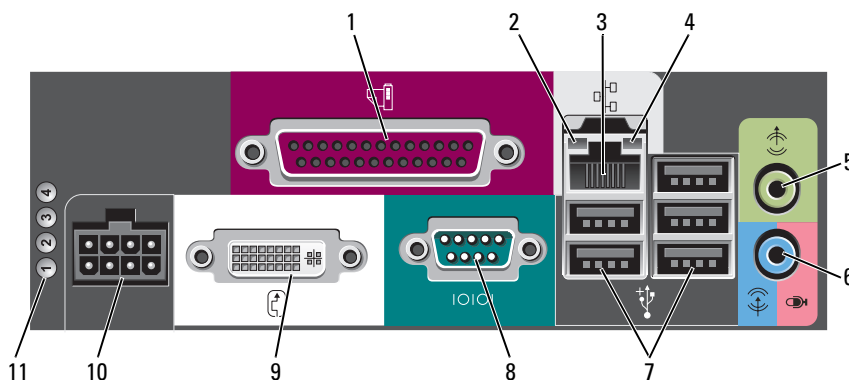
- 1 otwory wentylacyjne Otwory wentylacyjne znajdujące się na każdym boku komputera zapobiegają jego przegrzaniu. Aby zapewnić prawidłową wentylację, nie należy blokować otworów wentylacyjnych.

Komputer typu USFF — Widok od tyłu



- | | | |
|---|---------------------------------------|--|
| 1 | lampki diagnostyczne | Opis kodów lampek, które są pomocne przy rozwiązywaniu problemów z komputerem, można znaleźć w sekcji „Lampki diagnostyczne“ na stronie 357. |
| 2 | pokrętko zwalniania pokrywy komputera | Aby zdjąć pokrywę, należy obrócić to pokrętko w prawo. |
| 3 | złącza na tylnym panelu | Złącza komputera (patrz „Komputer typu USFF — Złącza na tylnym panelu“ na stronie 330). |
| 4 | złącze zasilania | Umożliwia podłączenie kabla zasilania. |
| 5 | otwory wentylacyjne | Otwory wentylacyjne zapobiegają przegrzaniu komputera. Aby zapewnić prawidłową wentylację, nie należy blokować otworów wentylacyjnych. |

Komputer typu USFF — Złącza na tylnym panelu



- | | | |
|---|-------------------|---|
| 1 | złącze równoległe | Do złącza równoległego podłącza się urządzenia równoległe, takie jak drukarki. Drukarkę USB należy podłączać do złącza USB. |
|---|-------------------|---|

- | | | |
|----|------------------------------------|---|
| 2 | kontrolka integralności łącza | <ul style="list-style-type: none"> • Zielona — Stabilne połączenie pomiędzy komputerem a siecią o przepustowości 10 Mb/s. • Pomarańczowa — Stabilne połączenie pomiędzy komputerem a siecią o przepustowości 100 Mb/s. • Żółty — Istnieje dobre połączenie pomiędzy komputerem a siecią o przepustowości 1000 Mb/s (1 Gb/s). • Wyłączony — Komputer nie wykrył fizycznego połączenia z siecią lub kontroler sieci został wyłączony w konfiguracji systemu. |
| 3 | karta sieciowa | <p>Aby podłączyć komputer do sieci lub modemu szerokopasmowego, podłącz jeden koniec kabla sieciowego do gniazda sieciowego, sieci lub modemu szerokopasmowego. Podłącz drugi koniec kabla sieciowego do złącza karty sieciowej z tyłu komputera. Kliknięcie oznacza, że kabel sieciowy został właściwie umocowany.</p> <p>UWAGA: Nie podłączaj kabla telefonicznego do gniazda sieciowego.</p> <p>W komputerach z kartą sieciową należy użyć złącza na karcie.</p> <p>Zaleca się stosowanie w sieciach okablowania oraz złączy kategorii 5. Jeśli istnieje konieczność użycia okablowania kategorii 3, należy ustawić szybkość sieci na 10 Mb/s, aby zapewnić prawidłowe działanie.</p> |
| 4 | lampka aktywności sieci | Pomarańczowa lampka miga, gdy komputer wysyła lub odbiera dane z sieci. Duże natężenie ruchu sieciowego może spowodować, że lampka będzie stale włączona. |
| 5 | złącze wyjścia liniowego | Zestaw głośników aktywnych należy podłączyć do zielonego złącza wyjściowego linii. |
| 6 | złącze wejścia liniowego/mikrofonu | Niebieskie i różowe złącze wejścia liniowego/mikrofonu służy do podłączania takiego urządzenia nagrywającego/odtwarzającego, jak odtwarzacz kasetowy, odtwarzacz dysków CD lub magnetowid albo mikrofon komputerowy w celu wprowadzenia danych dźwiękowych do programu dźwiękowego lub telefonicznego. |
| 7 | złącza USB (5) | Tyłnych złączy USB należy używać dla urządzeń podłączanych na stałe, takich jak klawiatura czy drukarka. |
| 8 | złącze portu szeregowego | Złącze szeregowe służy do podłączania urządzeń szeregowych, takich jak urządzenia przenośne. |
| 9 | złącze karty graficznej | <p>Jeśli masz monitor zgodny z DVI, podłącz kabel monitora do białego złącza na panelu tylnym.</p> <p>Jeśli użytkownik posiada monitor VGA, patrz sekcja „Podłączanie monitora VGA“ w <i>Podręczniku użytkownika</i> komputera.</p> |
| 10 | złącze zasilania | Złącze zasilacza. |
| 11 | lampki diagnostyczne | Opis kodów lampek, które są pomocne przy rozwiązywaniu problemów z komputerem, można znaleźć w sekcji „Lampki diagnostyczne“ na stronie 357. |

Zdejmowanie pokrywy komputera



OSTRZEŻENIE: Przed rozpoczęciem dowolnej z procedur opisanych w tej sekcji należy zapoznać się z instrukcjami dotyczącymi bezpieczeństwa zamieszczonymi w *Przewodniku z informacjami o produkcji*.



OSTRZEŻENIE: Aby uniknąć porażenia prądem, przed zdejmowaniem pokrywy należy zawsze odłączyć komputer od gniazda elektrycznego.

Zanim zaczniesz


 **POUCZENIE:** Aby zapobiec utracie danych, zapisz i zamknij wszystkie otwarte pliki i zamknij wszystkie otwarte programy.


- 1 Zamknij system operacyjny.
 - a Zapisz i zamknij wszystkie otwarte pliki, wyjdź z wszystkich otwartych programów, kliknij przycisk **Start**, a następnie kliknij polecenie **Turn Off Computer** (Wyłącz komputer).
 - b W oknie **Turn off computer** (Wyłącz komputer) kliknij polecenie **Turn off** (Wyłącz). Komputer wyłączy się automatycznie po zakończeniu procesu zamykania systemu.
- 2 Upewnij się, że komputer i podłączone urządzenia są wyłączone. Jeśli komputer i podłączone urządzenia nie wyłączą się automatycznie po wyłączeniu systemu operacyjnego, wyłącz je teraz.


Przed wykonaniem pracy we wnętrzu komputera

Stosowanie się do poniższych zaleceń dotyczących bezpieczeństwa pomoże w zapewnieniu bezpieczeństwa użytkownika oraz w ochronie komputera.

 **OSTRZEŻENIE:** Przed rozpoczęciem dowolnej z procedur opisanych w tej sekcji należy zapoznać się z instrukcjami dotyczącymi bezpieczeństwa zamieszczonymi w *Przewodniku z informacjami o produkcie*.


 **OSTRZEŻENIE:** Delikatnie obchodź się z elementami i kartami. Nie dotykaj komponentów ani styków karty. Trzymaj kartę za krawędzie lub metalowy wspornik. Takie elementy jak mikroprocesor należy trzymać za brzegi, a nie za styki.

 **POUCZENIE:** Komputer może naprawiać tylko przeszkolony pracownik serwisu. Uszkodzenia wynikające z napraw nieautoryzowanych przez firmę Dell nie są objęte gwarancją.

 **POUCZENIE:** Przy odłączaniu przewodu należy ciągnąć za wtyczkę lub umieszczoną na niej pętlę, a nie za sam przewód. Niektóre kable są wyposażone we wtyczkę z zatrzaskami blokującymi; w przypadku odłączania kabla tego typu należy wcześniej przycisnąć zatrzaski. Pociągając za złącza, trzymaj je w linii prostej, aby uniknąć zagięcia styków. Ponadto przed podłączeniem kabla należy upewnić się, że oba złącza są prawidłowo zorientowane i nie są skrzywione.

Aby uniknąć uszkodzenia komputera, przed rozpoczęciem pracy wewnątrz komputera wykonaj następujące czynności.

- 1 Wyłącz komputer.

 **POUCZENIE:** Aby odłączyć przewód sieciowy, najpierw odłącz przewód od komputera, a następnie odłącz go od gniazda sieciowego w ścianie.

- 2 Odłącz od komputera wszystkie linie telefoniczne i telekomunikacyjne.
- 3 Odłącz komputer i wszystkie podłączone urządzenia od gniazd elektrycznych, a następnie naciśnij przycisk zasilania, aby odprowadzić ładunki z płyty systemowej.
- 4 W razie potrzeby należy usunąć podstawkę komputera (instrukcje można znaleźć w dokumentacji dostarczanej wraz z podstawką).

 **OSTRZEŻENIE:** Aby uniknąć porażenia prądem, przed zdjęciem pokrywy należy zawsze odłączyć komputer od gniazda elektrycznego.

5 Zdejmij pokrywę komputera:

- Zdejmij pokrywę komputera typu miniwieża (patrz „Komputer w obudowie typu miniwieża“ na stronie 333).
- Zdejmij pokrywę komputera stacjonarnego (patrz „Komputer stacjonarny“ na stronie 334).
- Zdejmij pokrywę komputera w obudowie typu SFF (patrz „Komputer w obudowie typu SFF“ na stronie 335).
- Zdejmij pokrywę komputera w obudowie typu USFF (patrz „Komputer w obudowie typu USFF“ na stronie 337).



POUCZENIE: Przed dotknięciem dowolnego podzespołu wewnątrz komputera należy pozbyć się ładunków elektrycznych, dotykając niemalowanej powierzchni metalowej, takiej jak metalowy tylny panel komputera. W trakcie pracy należy od czasu do czasu dotykać nielakierowanej powierzchni metalowej, aby rozproszyć ładunki elektrostatyczne, które mogłyby uszkodzić wewnętrzne podzespoły.

Komputer w obudowie typu miniwieża



OSTRZEŻENIE: Przed rozpoczęciem dowolnej z procedur opisanych w tej sekcji należy zapoznać się z instrukcjami dotyczącymi bezpieczeństwa zamieszczonymi w *Przewodniku z informacjami o produkcji*.

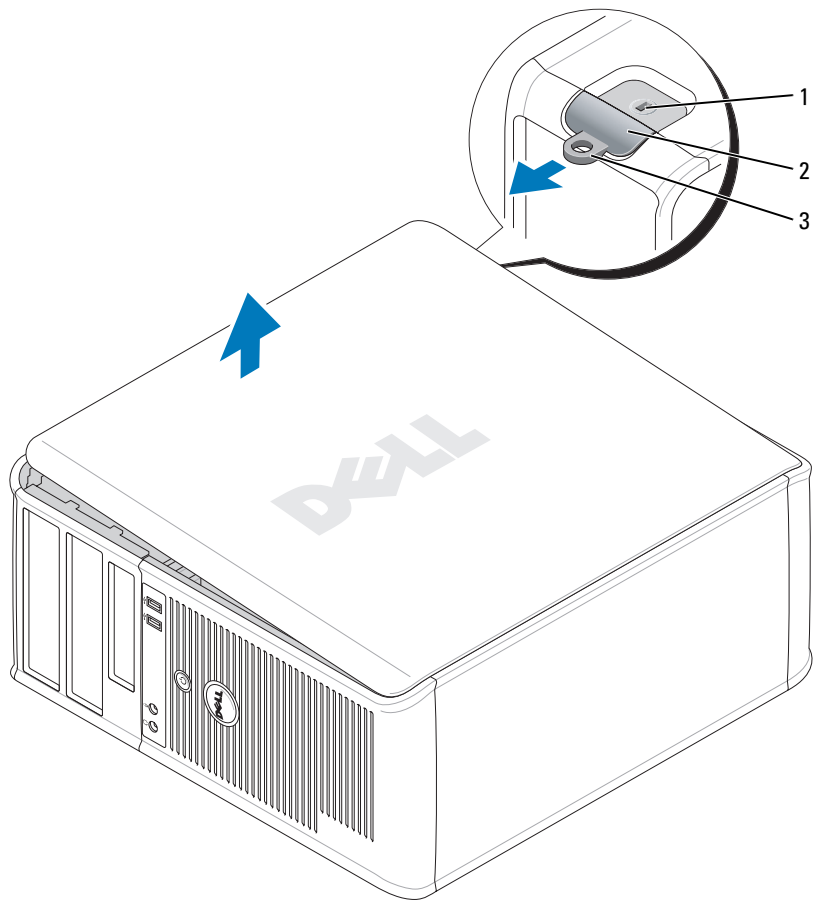


OSTRZEŻENIE: Aby uniknąć porażenia prądem, przed zdjęciem pokrywy należy zawsze odłączyć komputer od gniazda elektrycznego.

- 1 Postępuj zgodnie z procedurami opisanymi w części „Zanim zaczniesz“ na stronie 332.
- 2 Połóż komputer na boku, tak jak pokazano na ilustracji.
- 3 Odszukaj zatrzask zwalniający obudowy przedstawiony na ilustracji. Następnie wysuń zatrzask zwalniający, równocześnie podnosząc obudowę.
- 4 Uchwyć boki obudowy komputera i odchyl obudowę, traktując występy dolnych zawiasów jako punkty obrotu.
- 5 Zdejmij obudowę z występów zawiasów i odłóż na miękką powierzchnię, niepowodującą zarysowań.



OSTRZEŻENIE: Radiatory do karty graficznej mogą się bardzo rozgrzać w normalnych warunkach pracy. Przed dotknięciem radiatora należy upewnić się, że minęło wystarczająco dużo czasu, aby ostygł.



1 gniazdo kabla zabezpieczającego

2 zatrzask zwalniający pokrywę

3 ucho kłódki

Komputer stacjonarny

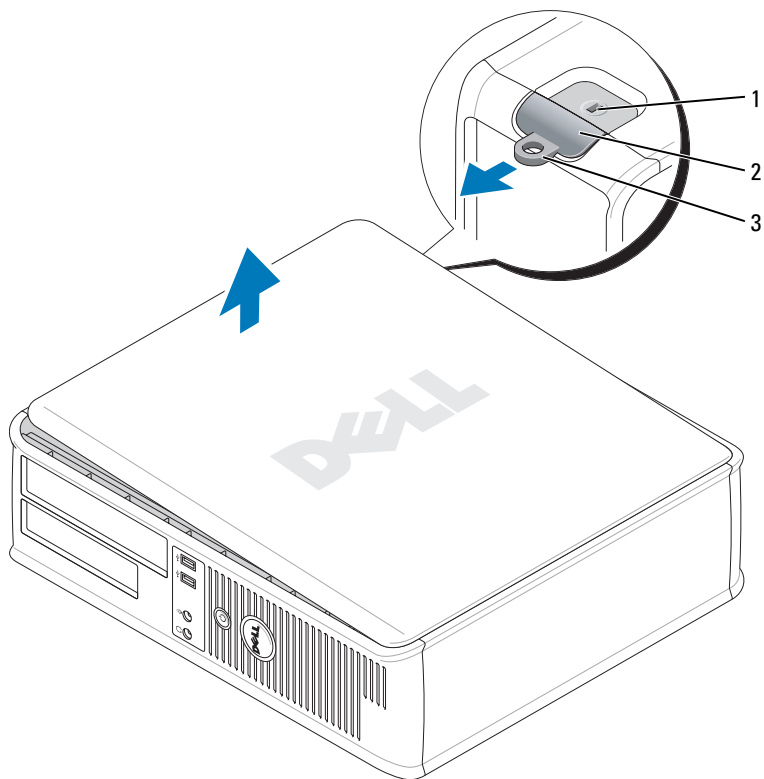
⚠ OSTRZEŻENIE: Przed rozpoczęciem dowolnej z procedur opisanych w tej sekcji należy zapoznać się z instrukcjami dotyczącymi bezpieczeństwa zamieszczonymi w *Przewodniku z informacjami o produkcie*.

⚠ OSTRZEŻENIE: Aby uniknąć porażenia prądem, przed zdjęciem pokrywy należy zawsze odłączyć komputer od gniazda elektrycznego.

- 1 Postępuj zgodnie z procedurami opisanymi w części „Zanim zaczniesz“ na stronie 332.
- 2 Jeśli zainstalowana została kłódka na tylnym panelu, należy ją zdjąć.

- 3 Odszukaj zatrzask zwalniający obudowy przedstawiony na ilustracji. Następnie wysuń zatrzask zwalniający, równocześnie podnosząc obudowę.
- 4 Uchwyć boki obudowy komputera i odchyl obudowę, traktując występy dolnych zawiasów jako punkty obrotu.
- 5 Zdejmij obudowę z występów zawiasów i odłóż na miękką powierzchnię, niepowodującą zarysowań.

⚠ OSTRZEŻENIE: Radiatory do karty graficznej mogą się bardzo rozgrzać w normalnych warunkach pracy. Przed dotknięciem radiatora należy upewnić się, że minęło wystarczająco dużo czasu, aby ostygł.



1 gniazdo kabla
zabezpieczającego

2 zatrzask zwalniający
pokrywę

3 ucho kłódki

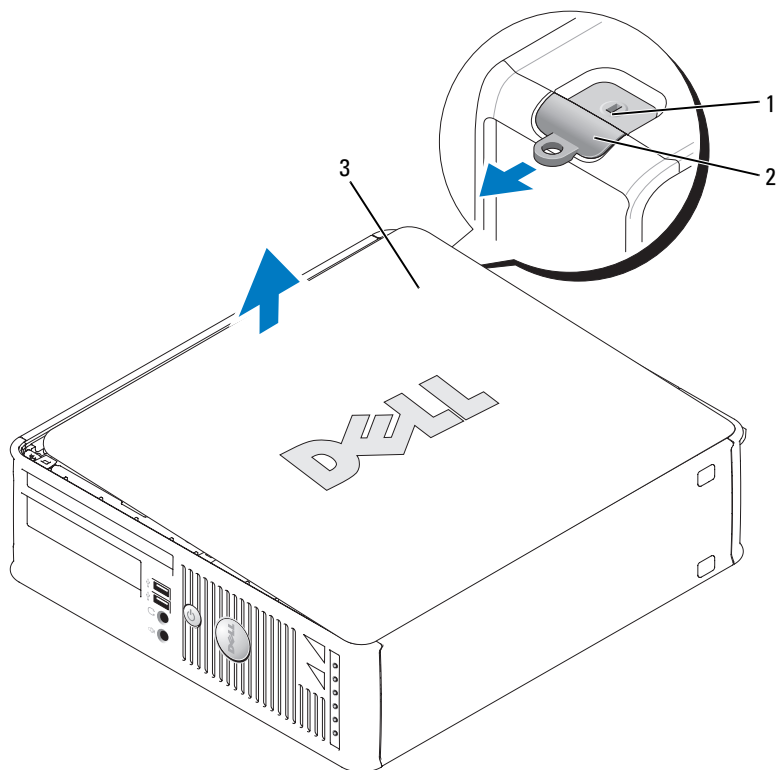
Komputer w obudowie typu SFF

⚠ OSTRZEŻENIE: Przed rozpoczęciem dowolnej z procedur opisanych w tej sekcji należy zapoznać się z instrukcjami dotyczącymi bezpieczeństwa zamieszczonymi w *Przewodniku z informacjami o produkcji*.

⚠ OSTRZEŻENIE: Aby uniknąć porażenia prądem, przed zdjęciem pokrywy należy zawsze odłączyć komputer od gniazda elektrycznego.

- 1 Postępuj zgodnie z procedurami opisanymi w części „Zanim zaczniesz“ na stronie 332.
- 2 Jeśli zainstalowana została kłódka na tylnym panelu, należy ją zdjąć.
- 3 Odszukaj zatrzask zwalniający obudowy przedstawiony na ilustracji. Następnie wysuń zatrzask zwalniający, równocześnie podnosząc obudowę.
- 4 Uchwyć boki obudowy komputera i odchyl obudowę, traktując dolne zawiasy jako punkty obrotu.
- 5 Zdejmij obudowę z występów zawiasów i odłóż na miękką powierzchnię, niepowodującą zarysowań.

⚠ OSTRZEŻENIE: Radiatory do karty graficznej mogą się bardzo rozgrzać w normalnych warunkach pracy. Przed dotknięciem radiatora należy upewnić się, że minęło wystarczająco dużo czasu, aby ostygł.



1 gniazdo kabla zabezpieczającego

2 zatrzask zwalniający pokrywę

3 pokrywa komputera

Komputer w obudowie typu USFF

! **OSTRZEŻENIE:** Przed rozpoczęciem dowolnej z procedur opisanych w tej sekcji należy zapoznać się z instrukcjami dotyczącymi bezpieczeństwa zamieszczonymi w *Przewodniku z informacjami o produkcie*.

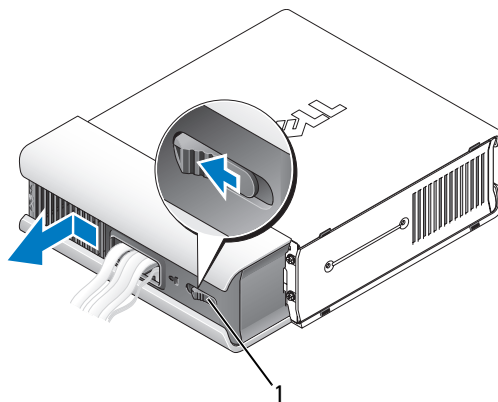
! **OSTRZEŻENIE:** Aby uniknąć porażenia prądem, przed zdjęciem pokrywy należy zawsze odłączyć komputer od gniazda elektrycznego.

1 Postępuj zgodnie z procedurami opisanymi w części „Zanim zaczniesz“ na stronie 332.

➔ **POUCZENIE:** Przed dotykaniem jakichkolwiek elementów wewnątrz komputera pozbadź się ładunków elektrostatycznych przez dotknięcie niepomalowanej metalowej powierzchni. W trakcie pracy należy od czasu do czasu dotykać nielakierowanej powierzchni metalowej, aby rozproszyć ładunki elektrostatyczne, które mogłyby uszkodzić wewnętrzne podzespoły.

2 W razie potrzeby zdejmij osłonę kabla.

a Jeżeli w gnieździe kabla zabezpieczającego zamontowana jest blokada zabezpieczająca, usuń ją.



1 przyciski zwalniające

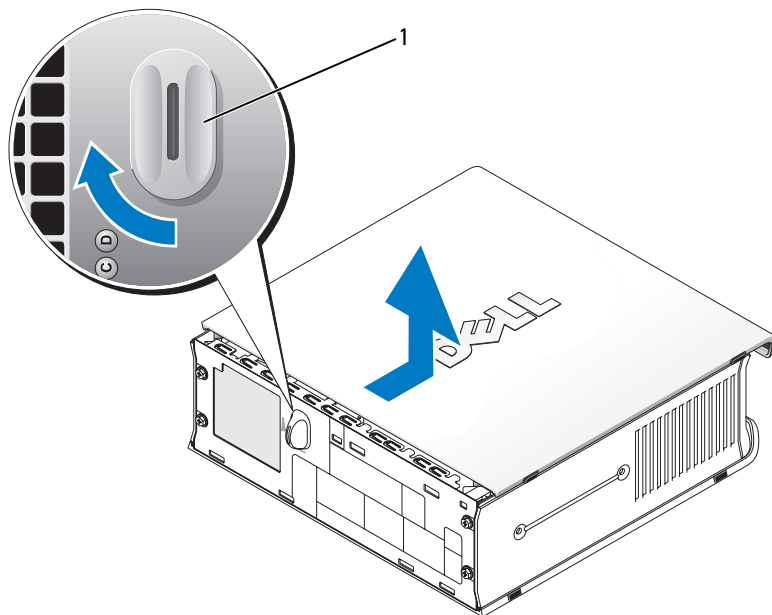
b Naciśnij przycisk zwalniający, uchwycić osłonę kabla i wsuń ją w lewo do momentu zatrzymania, a następnie podnieś ją i wyjmij.

3 Zdejmij pokrywę komputera:

a Obróć pokrętko zwalniania pokrywy w prawo zgodnie z ilustracją.

b Przesuń pokrywę komputera do przodu o 1 cm (1/2 cala) lub do chwili jej zatrzymania, a następnie unieś pokrywę.

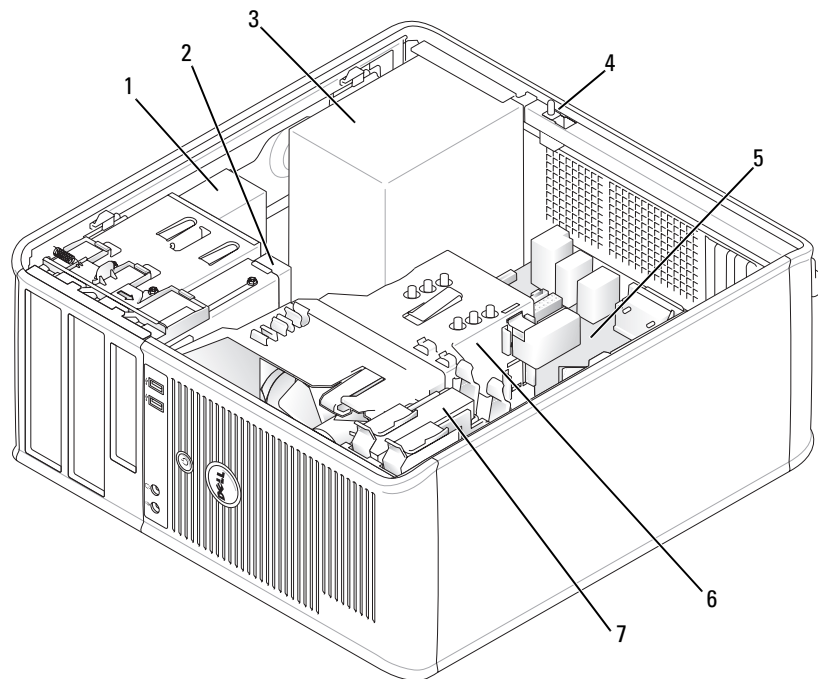
⚠ OSTRZEŻENIE: Radiatory do karty graficznej mogą się bardzo rozgrzać w normalnych warunkach pracy. Przed dotknięciem radiatora należy upewnić się, że minęło wystarczająco dużo czasu, aby ostygł.



1 pokrętło zwalniania

Wnętrze komputera

Komputer w obudowie typu miniwieża



1 napęd optyczny

2 napęd dyskietek lub czytnik
kart pamięci

3 zasilacz

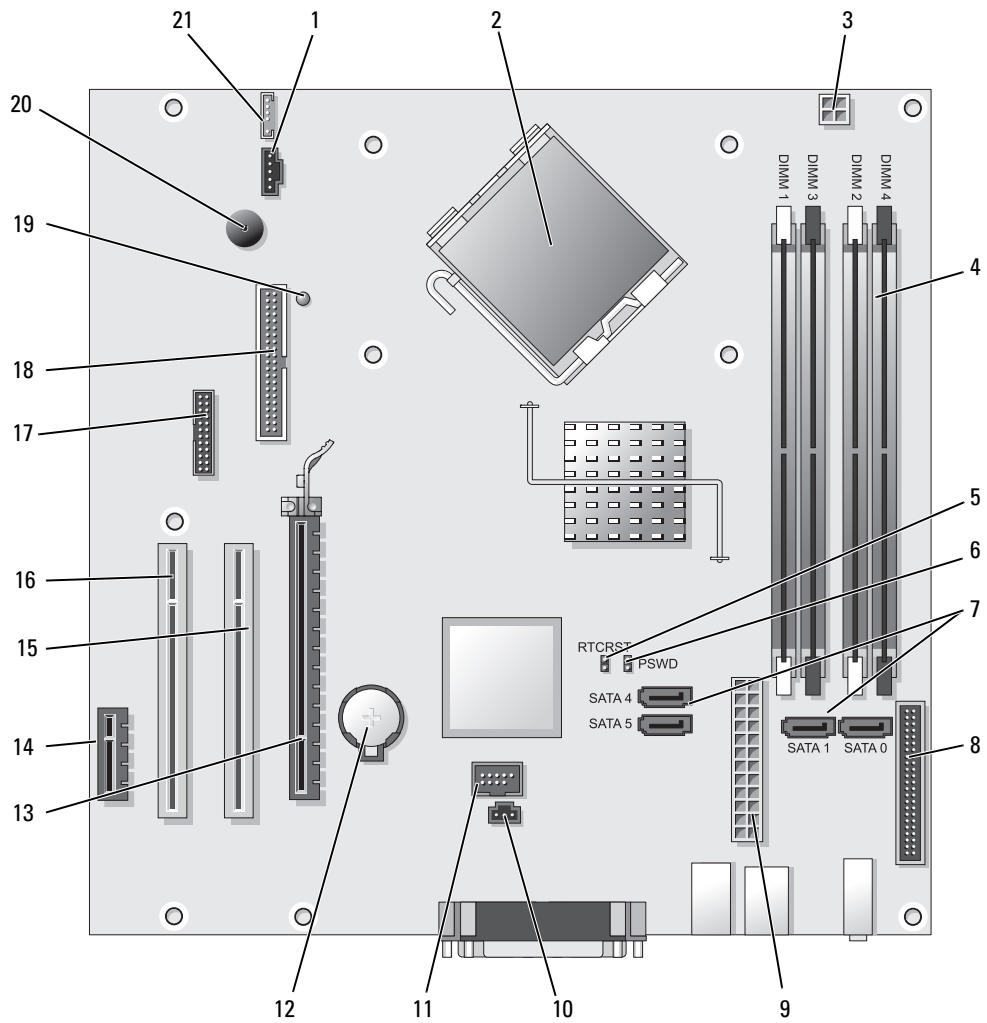
4 opcjonalny przełącznik
naruszenia obudowy

5 płyta systemowa

6 zespół radiatora

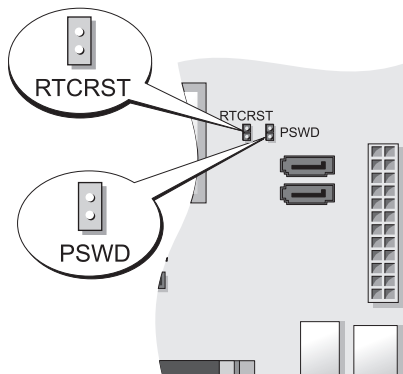
7 napęd dysku twardego





Elementy płyty systemowej



- | | | | |
|----|---|----|-------------------------------------|
| 1 | złącze wentylatora (FAN) | 12 | gniazdo baterii (BATT) |
| 2 | złącze procesora (CPU) | 13 | złącze PCI Express x16 (SLOT1) |
| 3 | złącze zasilania procesora (12VPOWER) | 14 | złącze PCI Express x1 (SLOT4) |
| 4 | złącza modułów pamięci (DIMM_1, DIMM_2, DIMM_3, DIMM_4) | 15 | złącze PCI (SLOT2) |
| 5 | zworka resetowania zegara czasu rzeczywistego (RTCRST) | 16 | złącze PCI (SLOT3) |
| 6 | zworka hasła (PSWD) | 17 | złącze szeregowo (SER2) |
| 7 | złącza napędu SATA (SATA0, SATA1, SATA4, SATA5) | 18 | złącze napędu dyskietek (DSKT) |
| 8 | złącze na przednim panelu (FNT_PANEL) | 19 | zasilanie awaryjne |
| 9 | złącze zasilania (POWER) | 20 | głośnik na płycie systemowej (BEEP) |
| 10 | złącze przełącznika naruszenia obudowy (INTRUDER) | 21 | złącze głośnika (INT_SPKR) |
| 11 | wewnętrzny interfejs USB (INTERNAL_USB) | | |

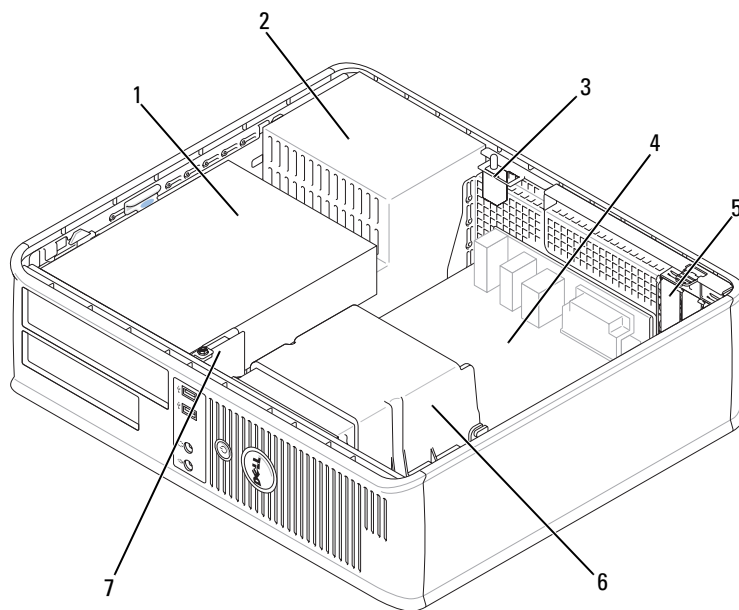
Ustawienia zworki



Zworka	Ustawienie	Opis
PSWD		Funkcje hasła są włączone (ustawienie domyślne).
		Funkcje haseł są wyłączone.
RTCRST		Zegar czasu rzeczywistego nie został wyzerowany.
		Zegar czasu rzeczywistego jest zerowany (chwilowe zwarcie).

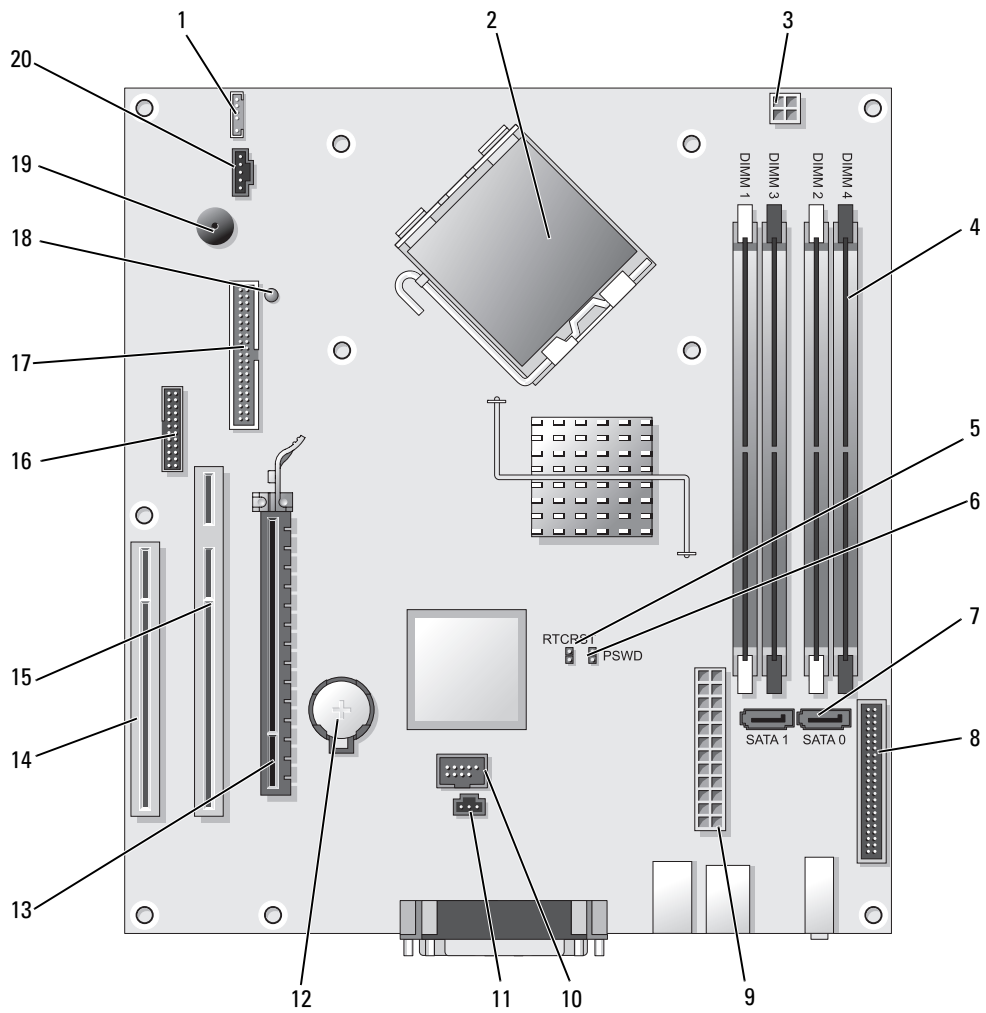
 *ze zworką*  *bez zworki*

Komputer stacjonarny



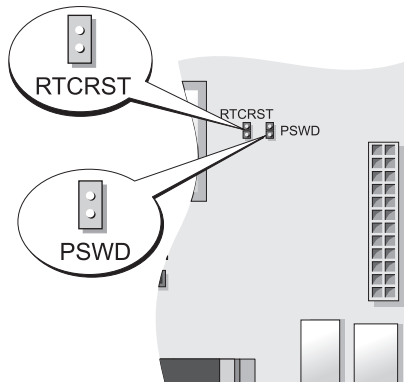
- | | | | | | |
|---|--|---|--------------|---|---|
| 1 | wnęki napędów (czytnik kart pamięci lub napęd dyskietek, napęd optyczny i dysk twardy) | 2 | zasilacz | 3 | opcjonalny przełącznik naruszenia obudowy |
| 4 | płyta systemowa | 5 | gniazda kart | 6 | zespół radiatora |
| 7 | przedni panel WE/WY | | | | |

Elementy płyty systemowej



- | | | | |
|----|---|----|---|
| 1 | głośnik wewnętrzny (INT_SPKR) | 11 | złącze przełącznika naruszenia obudowy (INTRUDER) |
| 2 | złącze procesora (CPU) | 12 | gniazdo baterii (BATT) |
| 3 | złącze zasilania procesora (12VPOWER) | 13 | złącze PCI Express x16 (SLOT1) |
| 4 | złącza modułów pamięci (DIMM_1, DIMM_2, DIMM_3, DIMM_4) | 14 | złącze PCI (SLOT3) |
| 5 | zworka resetowania zegara czasu rzeczywistego (RTCRST) | 15 | złącze PCI (SLOT2) |
| 6 | zworka hasła (PSWD) | 16 | złącze szeregowo (SER2) |
| 7 | złącza SATA (SATA0, SATA1) | 17 | złącze napędu dyskiectek (DSKT) |
| 8 | złącze na przednim panelu (FNT_PANEL) | 18 | zasilanie awaryjne |
| 9 | złącze zasilania (POWER) | 19 | głośnik na płycie systemowej (BEEP) |
| 10 | wewnętrzny interfejs USB (INTERNAL_USB) | 20 | złącze wentylatora (FAN) |

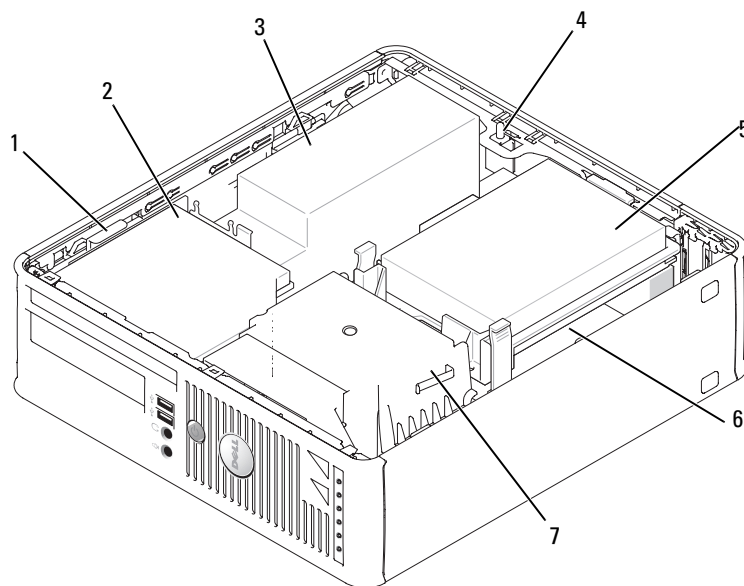
Ustawienia zworki



Zworka	Ustawienie	Opis
PSWD		Funkcje hasła są włączone (ustawienie domyślne).
		Funkcje hasel są wyłączone.
RTCRST		Zegar czasu rzeczywistego nie został wyzerowany.
		Zegar czasu rzeczywistego jest zerowany (chwilowe zwarcie).

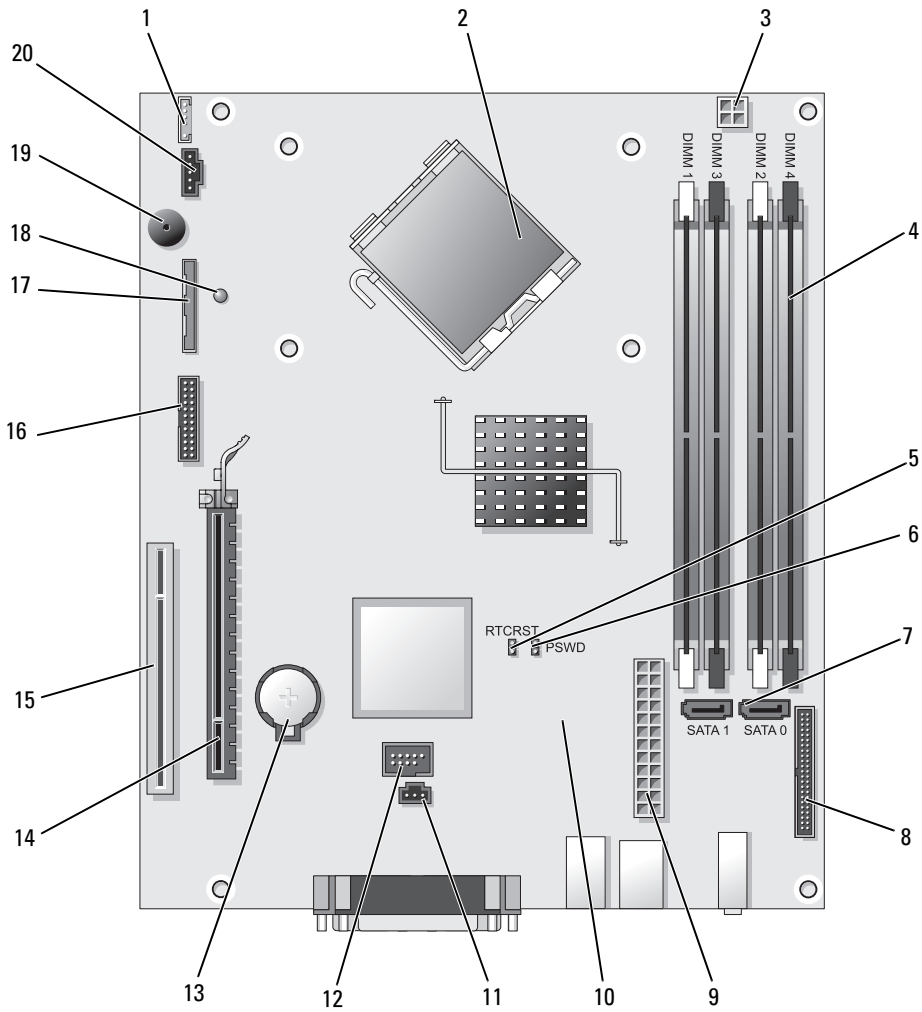
ze zworką
 bez zworki

Komputer w obudowie typu SFF



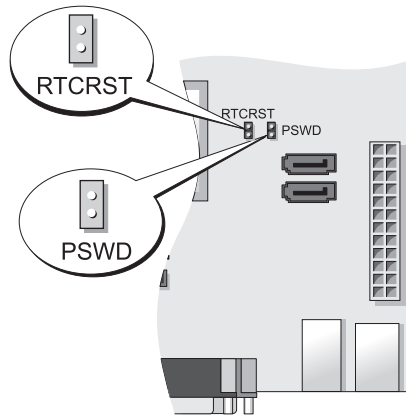
- | | | | | | |
|---|--|---|----------------------|---|-----------------------|
| 1 | zatrask zwalniający napęd | 2 | napęd optyczny | 3 | zasilacz i wentylator |
| 4 | opcjonalny przełącznik
naruszenia obudowy | 5 | napęd dysku twardego | 6 | płyta systemowa |
| 7 | radiator i wentylator | | | | |





Elementy płyty systemowej



- | | | | |
|----|---|----|---|
| 1 | złącze głośnika wewnętrznego (INT_SPKR) | 11 | złącze przełącznika naruszenia obudowy (INTRUDER) |
| 2 | złącze procesora (CPU) | 12 | wewnętrzne złącze USB (USB) |
| 3 | złącze zasilania procesora (12VPOWER) | 13 | gniazdo baterii (BATT) |
| 4 | złącza modułów pamięci (DIMM_1, DIMM_2, DIMM_3, DIMM_4) | 14 | złącze PCI Express x16 (SLOT1) |
| 5 | zworka resetowania zegara czasu rzeczywistego (RTCRST) | 15 | złącze PCI (SLOT2) |
| 6 | zworka hasła (PSWD) | 16 | złącze szeregowo (SER2) |
| 7 | złącza SATA (SATA0, SATA1) | 17 | złącze napędu dyskiectek (DSKT) |
| 8 | złącze na przednim panelu (FNT_PANEL) | 18 | zasilanie awaryjne |
| 9 | złącze zasilania (POWER) | 19 | głośnik na płycie systemowej (BEEP) |
| 10 | złącze wentylatora (FAN2) | 20 | złącze wentylatora (FAN) |

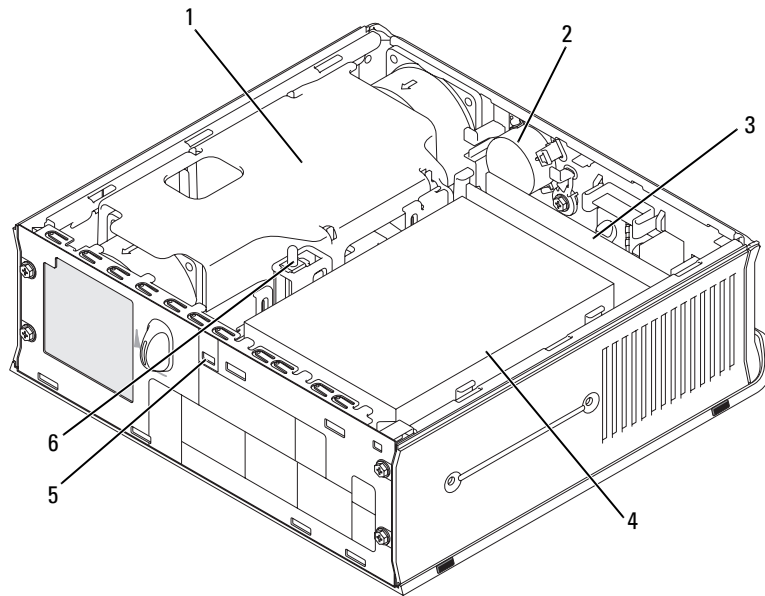
Ustawienia zworki



Zworka	Ustawienie	Opis
PSWD		Funkcje hasła są włączone (ustawienie domyślne).
		Funkcje hasel są wyłączone.
RTCRST		Zegar czasu rzeczywistego nie został wyzerowany.
		Zegar czasu rzeczywistego jest zerowany (chwilowe zwarcie).

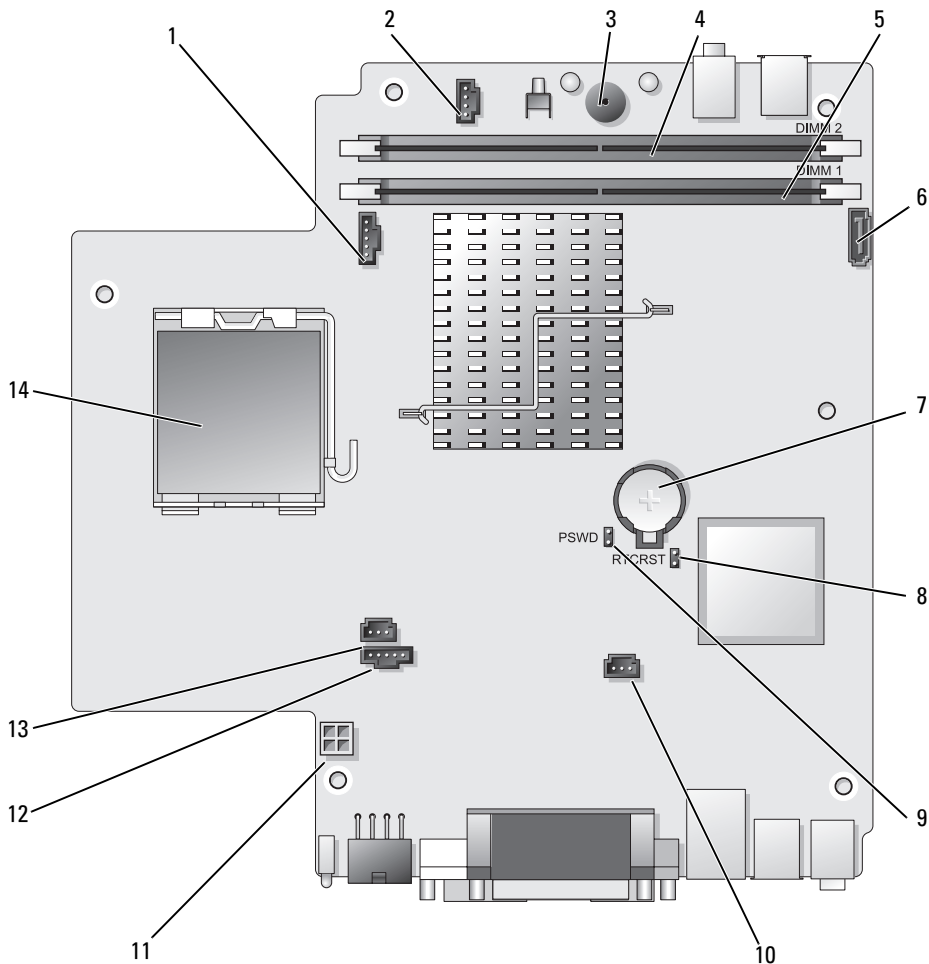
 *ze zworką*  *bez zworki*

Komputer w obudowie typu USFF (Ultra Small Form Factor)



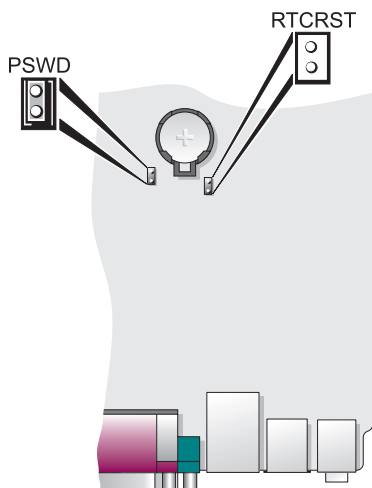
- | | | | | | |
|---|--|---|---------------------------------|---|--------------------------------------|
| 1 | zespół radiatora i obudowy wentylatora | 2 | głośnik (opcjonalny) | 3 | moduły pamięci (2) |
| 4 | napęd dysku twardego | 5 | gniazdo kabla zabezpieczającego | 6 | przycisk czujnika naruszenia obudowy |





Elementy płyty systemowej



- | | | | |
|---|---|----|---|
| 1 | złącze wentylatora (FAN_FRONT) | 8 | zworka kasowania pamięci CMOS (RTCRST) |
| 2 | złącze głośnika wewnętrznego (INT_SPKR) | 9 | zworka hasła (PSWD) |
| 3 | głośnik na płycie systemowej (BEEP) | 10 | złącze wentylatora twardego dysku (FAN_HDD) |
| 4 | złącze kanału B pamięci (DIMM_2) | 11 | złącze zasilania dysku twardego (SATA_PWR) |
| 5 | złącze kanału A pamięci (DIMM_1) | 12 | złącze wentylatora (FAN_REAR) |
| 6 | złącze kabla danych interfejsu SATA (SATA0) | 13 | złącze przełącznika naruszenia obudowy (INTRUDER) |
| 7 | bateria (BATT) | 14 | procesor (CPU) |

Ustawienia zworki



Zworka	Ustawienie	Opis
PSWD		Funkcje hasła są włączone (ustawienie domyślne).
		Funkcje hasel są wyłączone.
RTCRST		Zegar czasu rzeczywistego nie został wyzerowany.
		Zegar czasu rzeczywistego jest zerowany (chwilowe zwarcie).



ze zworką




bez zworki

Przygotowywanie komputera do pracy

⚠ OSTRZEŻENIE: Przed rozpoczęciem dowolnej z procedur opisanych w tej sekcji należy zapoznać się z instrukcjami dotyczącymi bezpieczeństwa zamieszczonymi w *Przewodniku z informacjami o produkcji*.

➡ POUCZENIE: Jednak jeżeli komputer posiada zainstalowaną kartę rozszerzeń (taką jak karta modemu), podłącz przewód sieciowy do karty sieciowej - *nie* do złącza na panelu tylnym komputera.


➡ POUCZENIE: Aby zachować odpowiednią temperaturę pracy komputera, należy upewnić się, że nie został on umieszczony zbyt blisko ściany lub innej przeszkody, która mogłaby uniemożliwiać obieg powietrza wokół obudowy. Więcej informacji można znaleźć w *Przewodniku z informacjami o produkcji*.

 **UWAGA:** Przed zainstalowaniem urządzeń lub oprogramowania, które nie zostało dostarczone z komputerem, należy zapoznać się z dokumentacją oprogramowania lub urządzenia albo skontaktować się z jego dostawcą, aby sprawdzić, czy oprogramowanie lub urządzenie jest zgodne z komputerem i systemem operacyjnym.

Aby prawidłowo skonfigurować komputer, należy wykonać wszystkie poniższe czynności. Patrz odpowiednie ilustracje, które towarzyszą instrukcjom.

 **POUCZENIE:** Nie próbuj korzystać z myszy PS/2 i USB jednocześnie.

1 Podłącz klawiaturę i mysz.


 **POUCZENIE:** Kabla modemu nie należy podłączać do złącza karty sieciowej. Napięcie elektryczne linii telefonicznej może uszkodzić kartę sieciową

2 Podłącz modem lub przewód sieciowy.

Do złącza sieciowego włóż przewód sieciowy, a nie przewód linii telefonicznej. Jeżeli zainstalowano opcjonalny modem, podłącz linię telefoniczną do modemu.


3 Podłącz monitor.


Dopasuj i delikatnie podłącz kabel monitora, unikając zgięcia styków złącza. Dokręć śruby zabezpieczające na złączach przewodu.

 **UWAGA:** W niektórych monitorach złącze wideo znajduje się pod spodem z tyłu ekranu. Lokalizacja złączy została podana w dokumentacji dostarczanej wraz z monitorem, z którą należy się zapoznać.

4 Podłącz głośniki.

5 Podłącz przewody zasilające do komputera, monitora oraz innych urządzeń, a następnie włóż drugie końce przewodów zasilających do gniazd elektrycznych.

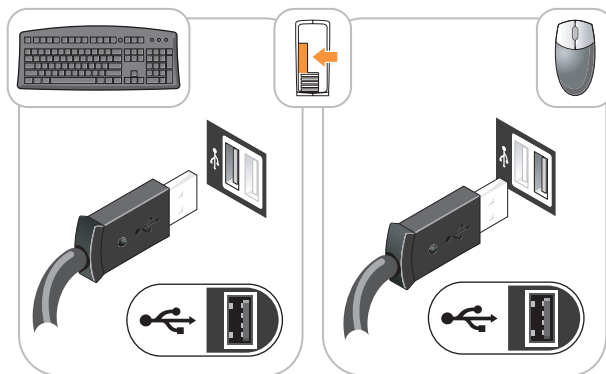
 **POUCZENIE:** Aby uniknąć uszkodzenia komputera przez niewłaściwe ustawienie przełącznika ręcznego wyboru wartości napięcia, przełącznik należy ustawić na wartość napięcia najbardziej zbliżoną do parametrów źródła zasilania dostępnego w miejscu pobytu.

 **POUCZENIE:** W Japonii przełącznik wyboru wartości napięcia należy ustawić w położeniu 115 V, mimo że napięcie źródła zasilania wynosi tam 100 V.

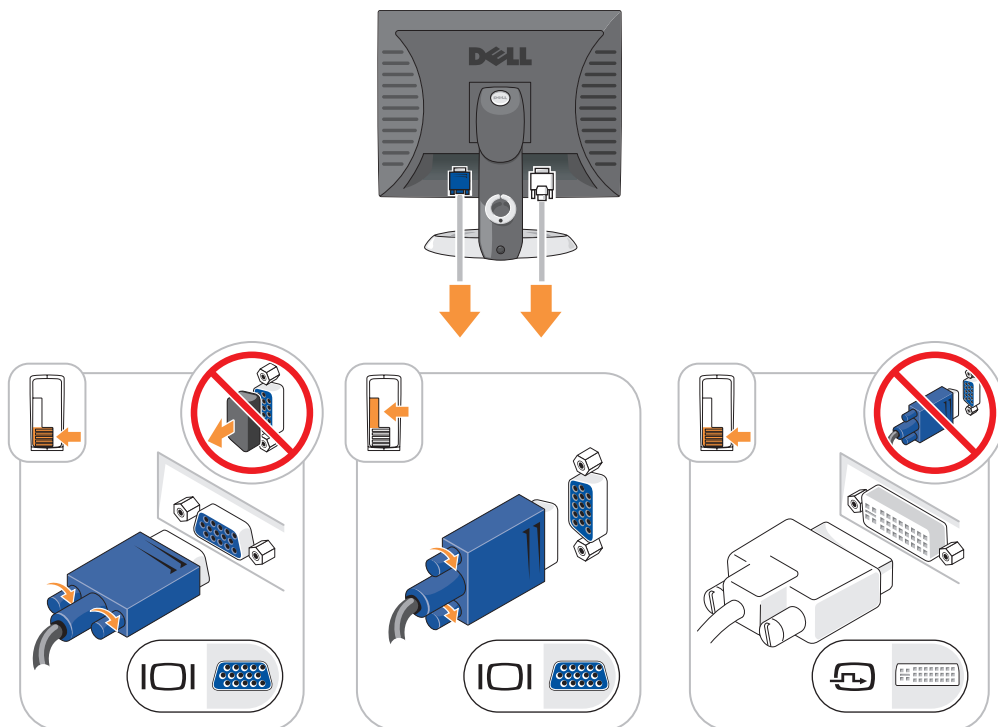
6 Sprawdź, czy przełącznik wyboru napięcia został ustawiony odpowiednio do danej lokalizacji.

Komputer ma ręczny przełącznik wyboru napięcia. Napięcie w komputerach z przełącznikiem wyboru rodzaju napięcia na tylnym panelu należy ustawić ręcznie, aby sprzęt działał z właściwym napięciem operacyjnym.

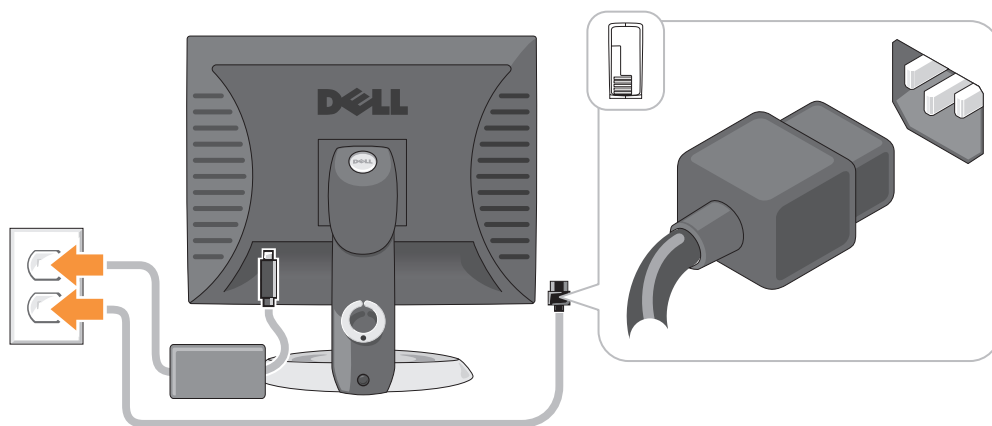
Konfiguracja klawiatury i myszy



Konfiguracja monitora



Połączenia zasilania



Rozwiązywanie problemów

Firma Dell oferuje szereg narzędzi, mających na celu pomoc w przypadku, gdy komputer nie funkcjonuje zgodnie z oczekiwaniami użytkownika. Najnowsze informacje na temat rozwiązywania problemów związanych z posiadanym komputerem można znaleźć na witrynie pomocy technicznej firmy Dell pod adresem support.euro.dell.com.

Jeżeli wystąpią problemy z komputerem, które wymagają pomocy firmy Dell, należy zanotować dokładny opis błędu, kody dźwiękowe lub układy lampek diagnostycznych, napisać pod spodem swój kod ESC (kod ekspresowej obsługi) i numer seryjny, a następnie zadzwonić do firmy Dell z miejsca, w którym znajduje się komputer. Informacje o sposobach kontaktowania się z firmą Dell można znaleźć w wersji elektronicznej *Podręcznika użytkownika*.

Przykładowy kod ekspresowej obsługi i numer seryjny można znaleźć w części „Wyszukiwanie informacji“ w *Podręczniku użytkownika*.

Kod ESC (kod ekspresowej obsługi): _____

Numer seryjny: _____

Program Dell Diagnostics

⚠ OSTRZEŻENIE: Przed rozpoczęciem dowolnej z procedur opisanych w tej sekcji należy zapoznać się z instrukcjami dotyczącymi bezpieczeństwa zamieszczonymi w *Przewodniku z informacjami o produkcji*.

Kiedy należy używać programu Dell Diagnostics

Jeżeli wystąpi problem z komputerem, przed skontaktowaniem się z firmą Dell w celu uzyskania pomocy technicznej należy wykonać testy opisane w rozdziale „Rozwiązywanie problemów“ w wersji elektronicznej *Podręcznika użytkownika* oraz uruchomić program Dell Diagnostics. Informacje o sposobach kontaktowania się z firmą Dell można znaleźć w wersji elektronicznej *Podręcznika użytkownika*.

➡ POUCZENIE: Program Dell Diagnostics działa tylko z komputerami firmy Dell™.

Uruchom program konfiguracji systemu (instrukcje można znaleźć w części „Konfiguracja komputera“ w wersji elektronicznej *Podręcznika użytkownika*), sprawdź informacje konfiguracyjne komputera i upewnij się, że urządzenie, które należy przetestować, jest wyświetlane w programie konfiguracji systemu i jest aktywne.

Program Dell Diagnostics można uruchomić albo z dysku twardego, albo z opcjonalnego dysku CD *Dysk CD Drivers and Utilities (ResourceCD)*.

Uruchamianie programu Dell Diagnostics z dysku twardego

- 1 Włącz (lub uruchom ponownie) komputer.
- 2 Po wyświetleniu logo firmy Dell™ natychmiast naciśnij klawisz <F12>.



UWAGA: Jeżeli wyświetlony zostanie komunikat mówiący, że nie znaleziono partycji narzędzi diagnostycznych, należy uruchomić program Dell Diagnostics z opcjonalnego dysku CD *Drivers and Utilities* (patrz „Uruchamianie programu Dell Diagnostics z dysku CD ze sterownikami i programami narzędziowymi (Drivers and Utilities CD)” na stronie 354).

Jeżeli będziesz czekać zbyt długo i zostanie wyświetlone logo systemu operacyjnego, poczekaj, aż pojawi się pulpit systemu Microsoft® Windows®. Następnie zamknij system operacyjny i spróbuj ponownie.

Po wyświetleniu listy urządzeń startowych, wyróżnij pozycję **Boot to Utility Partition** (Uruchom z partycji narzędziowej) i naciśnij <Enter>.

- 3 Po wyświetleniu menu głównego (**Main Menu**) programu Dell Diagnostics, wybierz test, który ma zostać wykonany.

Uruchamianie programu Dell Diagnostics z dysku CD ze sterownikami i programami narzędziowymi (Drivers and Utilities CD)

- 1 Włóż dysk CD *ze sterownikami i programami narzędziowymi* (Drivers and Utilities CD).
- 2 Wyłącz i ponownie uruchom komputer.

Po wyświetleniu logo firmy Dell™ natychmiast naciśnij klawisz <F12>.

Jeśli nie zdążysz nacisnąć klawisza zanim zostanie wyświetlone logo systemu operacyjnego, musisz poczekać do wyświetlenia pulpitu Microsoft Windows. Następnie zamknij system operacyjny i spróbuj ponownie.



UWAGA: Kolejne czynności powodują jednorazową zmianę sekwencji uruchamiania. Przy następnym uruchomieniu komputer wykorzysta sekwencję startową zgodnie z urządzeniami podanymi w konfiguracji komputera.

- 3 Po wyświetleniu listy urządzeń rozruchowych zaznacz napęd CD/DVD i naciśnij klawisz <Enter>.
- 4 Z menu startowego dysku CD wybierz opcję CD/DVD drive (Napęd CD/DVD).
- 5 W wyświetlonym menu wybierz opcję uruchamiania z napędu CD/DVD.
- 6 Wpisz 1, aby uruchomić menu dysku CD *Drivers and Utilities*.
- 7 Wpisz 2, aby uruchomić program Dell Diagnostics.
- 8 Wybierz opcję **Run the 32 Bit Dell Diagnostics** (Uruchom 32-bitową wersję programu Dell Diagnostics) z listy numerowanej. Jeśli pojawi się kilka wersji, wybierz wersję odpowiadającą danemu komputerowi.
- 9 Po wyświetleniu menu głównego (**Main Menu**) programu Dell Diagnostics, wybierz test, który ma zostać wykonany.

Menu główne programu Dell Diagnostics

- 1 Po załadowaniu programu Dell Diagnostics i wyświetleniu ekranu **Main Menu** (Menu główne) kliknij przycisk wybranej opcji.

Opcja	Funkcja
Express Test (Test szybki)	Wykonywany jest przyspieszony test urządzeń. Test tego rodzaju trwa od 10 do 20 minut i nie wymaga żadnych interwencji ze strony użytkownika. Express Test (Test szybki) należy uruchamiać jako pierwszy, gdyż na ogół umożliwia on szybkie wykrycie przyczyny problemu.
Extended Test (Test rozszerzony)	Wykonywane jest wnikliwe sprawdzenie urządzeń. Test tego rodzaju trwa zazwyczaj przynajmniej godzinę i od czasu do czasu wymaga udzielania odpowiedzi na pytania.
Custom Test (Test niestandardowy)	Wykonywane jest sprawdzenie określonego urządzenia. Sposób przeprowadzania testu można skonfigurować.
Symptom Tree (Drzewo objawów)	Wyświetla listę najczęściej napotykanych objawów problemów i pozwala wybrać test dostosowany do występujących nieprawidłowości.

- 2 Jeśli w trakcie testu wystąpił problem, wyświetlany jest komunikat zawierający kod błędu i opis problemu. Zapisz kod błędu i opis problemu, a następnie postępuj według instrukcji wyświetlanych na ekranie.

Jeśli samodzielnie nie można rozwiązać problemu, należy skontaktować się z firmą Dell. Informacje o sposobach kontaktowania się z firmą Dell można znaleźć w wersji elektronicznej *Podręcznika użytkownika*.



UWAGA: W górnej części każdego z ekranów testowych umieszczony jest numer seryjny. Udzielający pomocy pracownik działu obsługi technicznej zapyta o numer seryjny.

- 3 Jeśli wybrano test z grupy **Custom Test** (Test niestandardowy) lub **Symptom Tree** (Drzewo objawów), dodatkowe informacje można uzyskać, klikając odpowiednią zakładkę opisaną w poniższej tabeli.

Zakładka	Funkcja
Results (Wyniki)	Zawiera wyniki testu i wykryte błędy.
Errors (Błędy)	Wyświetla wykryte błędy, kody błędów i opis problemu.
Help (Pomoc)	Zawiera opis testu i ewentualne warunki wymagane do jego przeprowadzenia.
Configuration (Konfiguracja)	Wyświetla konfigurację sprzętową wybranego urządzenia. Program Dell Diagnostics uzyskuje informacje o konfiguracji wszystkich urządzeń z konfiguracji systemu, pamięci i różnych testów wewnętrznych, po czym wyświetla je na liście urządzeń w lewym okienku na ekranie. Lista urządzeń może nie zawierać nazw wszystkich komponentów zamontowanych w komputerze lub przyłączonych do niego urządzeń peryferyjnych.
Parameters (Parametry)	Mozna dostosować test do indywidualnych wymagań przez zmianę ustawień.

- 4 Gdy testy zostaną ukończone, jeśli program Dell Diagnostics został uruchomiony z *Drivers and Utilities* (opcjonalny), wyjmij dysk CD.
- 5 Zamknij ekran testów i powróć do ekranu **Main Menu** (Menu główne). Aby zakończyć działanie programu Dell Diagnostics i uruchomić ponownie komputer, zamknij ekran **Main Menu** (Menu główne).

Lampki systemowe

Lampka zasilania może wskazywać problem z komputerem.

Wskaźnik zasilania	Opis problemu	Sugerowane rozwiązanie
Świeci na zielono	Zasilanie jest włączone, a komputer pracuje normalnie.	Nie są wymagane żadne kroki zaradcze.
Miga na zielono	Komputer znajduje się w trybie oszczędzania energii.	Naciśnij przycisk zasilania, porusz myszą lub naciśnij klawisz na klawiaturze, aby przywrócić komputer do normalnego stanu.
Miga kilka razy na zielono, a następnie gaśnie	Istnieje błąd w konfiguracji.	Sprawdź lampki diagnostyczne, aby stwierdzić, czy zidentyfikowany został konkretny problem (patrz „Lampki diagnostyczne“ na stronie 357).
Ciągle światło żółte	Urządzenie na płycie systemowej mogło zostać nieprawidłowo zainstalowane lub przełącznik wyboru napięcia został ustawiony w niewłaściwym położeniu.	Sprawdź lampki diagnostyczne, aby stwierdzić, czy zidentyfikowany został konkretny problem (patrz „Lampki diagnostyczne“ na stronie 357). Patrz sekcja „Problemy z zasilaniem“ w wersji elektronicznej <i>Podręcznika użytkownika</i> . Jeżeli nie można dokonać rozruchu komputera, należy skontaktować się z firmą Dell w celu uzyskania pomocy technicznej. Informacje o sposobach kontaktowania się z firmą Dell można znaleźć w wersji elektronicznej <i>Podręcznika użytkownika</i> .
Migające żółte światło	Wystąpiła awaria zasilania lub płyty systemowej.	Sprawdź lampki diagnostyczne, aby stwierdzić, czy zidentyfikowany został konkretny problem (patrz „Lampki diagnostyczne“ na stronie 357). Patrz sekcja „Problemy z zasilaniem“ w wersji elektronicznej <i>Podręcznika użytkownika</i> . Jeżeli nie można dokonać rozruchu komputera, należy skontaktować się z firmą Dell w celu uzyskania pomocy technicznej. Informacje o sposobach kontaktowania się z firmą Dell można znaleźć w wersji elektronicznej <i>Podręcznika użytkownika</i> .
Świeci na zielono i słychać kod dźwiękowy podczas testu POST	Podczas uruchamiania systemu BIOS został wykryty problem.	W celu uzyskania informacji na temat diagnostyki kodów dźwiękowych patrz rozdział „Kody dźwiękowe“ na stronie 359. Ponadto, sprawdź lampki diagnostyczne, aby zobaczyć, czy zidentyfikowany został konkretny problem.


Wskaźnik zasilania	Opis problemu	Sugerowane rozwiązanie
Lampka zasilania świeci na zielono, a podczas testów POST nie słychać kodu dźwiękowego i nie ma obrazu	Monitor lub karta graficzna mogą być uszkodzone lub niewłaściwie zainstalowane.	Sprawdź lampki diagnostyczne, aby zobaczyć, czy zidentyfikowany został konkretny problem.
Lampka zasilania świeci na zielono, a podczas testów POST nie słychać kodu dźwiękowego i komputer blokuje się	Uszkodzony zintegrowany układ na płycie komputera.	Sprawdź lampki diagnostyczne, aby zobaczyć, czy zidentyfikowany został konkretny problem. Jeśli problem nie został zidentyfikowany, należy skontaktować się z firmą Dell w celu uzyskania pomocy technicznej. Informacje o sposobach kontaktowania się z firmą Dell można znaleźć w wersji elektronicznej <i>Podręcznika użytkownika</i> .

Lampki diagnostyczne





 **OSTRZEŻENIE:** Przed rozpoczęciem dowolnej z procedur opisanych w tej sekcji należy zapoznać się z instrukcjami dotyczącymi bezpieczeństwa zamieszczonymi w *Przewodniku z informacjami o produkcie*.




Aby pomóc w rozwiązywaniu problemów, komputer wyposażony jest w cztery lampki na panelu przednim lub tylnym, oznaczone „1”, „2”, „3” i „4”. Lampki te mogą być wyłączone lub świecić na zielono. Jeżeli uruchamianie komputera przebiega normalnie, układ zapalonych lampek, czyli zakodowane nimi informacje, zmieniają się w miarę wykonywania procesu rozruchowego. Jeśli część testów POST procedury uruchamiania komputera zostanie pomyślnie zakończona, wszystkie cztery lampki zapalą się na krótko na zielono, a następnie zgasną.

Jeżeli podczas procesu POST wystąpi błąd w działaniu komputera, układ świecących diod może pomóc w określeniu etapu procesu, na którym komputer się zatrzymał. Jeśli komputer działa nieprawidłowo po pomyślnym wykonaniu testów POST, lampki diagnostyczne nie wskażą przyczyny problemu.

 **UWAGA:** Orientacja lampek diagnostycznych może się różnić w zależności od typu komputera. Lampki diagnostyczne mogą być zorientowane zarówno poziomo, jak i pionowo.

Stan lampek	Opis problemu	Sugerowane rozwiązanie
① ② ③ ④	Komputer znajduje się w normalnym stanie wyłączenia lub możliwe, że wystąpił błąd poprzedzający uruchomienie systemu BIOS. Lampki diagnostyczne nie zapalają się po pomyślnym rozruchu komputera i przejściu do systemu operacyjnego.	Podłącz komputer do sprawnego gniazda elektrycznego i naciśnij przycisk zasilania.
① ② ③ ④	Możliwa awaria systemu BIOS; komputer jest w trybie przywracania.	Uruchom narzędzie BIOS Recovery (Przywracanie systemu BIOS), zaczekaj na zakończenie przywracania, a następnie uruchom ponownie komputer.
① ② ③ ④	Możliwa awaria procesora.	Zainstaluj ponownie procesor, a następnie uruchom ponownie komputer. Szczegółowe informacje o ponownej instalacji procesora można znaleźć w wersji elektronicznej <i>Podręcznika użytkownika</i> .

Stan lampek	Opis problemu	Sugerowane rozwiązanie
	Moduły pamięci zostały wykryte, ale wystąpiła awaria pamięci.	<ul style="list-style-type: none"> • Jeżeli zainstalowany jest jeden moduł pamięci, przeinstaluj go i ponownie uruchom komputer. Szczegółowe informacje o ponownej instalacji modułów pamięci można znaleźć w wersji elektronicznej <i>Podręcznika użytkownika</i>. • Jeżeli zainstalowanych jest więcej modułów pamięci niż jeden, wyjmij te moduły, zainstaluj powtórnie jeden moduł, a następnie ponownie uruchom komputer. Jeżeli proces uruchomienia komputera przebiegnie normalnie, powtórnie zainstaluj kolejny moduł. Powtarzaj tę procedurę aż do zidentyfikowania wadliwego modułu lub do bezbłędnego zakończenia powtórnej instalacji wszystkich modułów. • Jeśli to możliwe, zainstaluj w komputerze prawidłowo działającą pamięć tego samego typu. • Jeśli problem nadal występuje, skontaktuj się z firmą Dell. Informacje o sposobach kontaktowania się z firmą Dell można znaleźć w wersji elektronicznej <i>Podręcznika użytkownika</i>.
	Możliwa awaria karty graficznej.	<ul style="list-style-type: none"> • Jeśli w komputerze znajduje się karta graficzna, wyjmij ją, zainstaluj ponownie, a następnie powtórnie uruchom komputer. • Jeśli problem wciąż występuje, zainstaluj inną, sprawną kartę graficzną i uruchom ponownie komputer. • Jeśli problem nadal występuje lub w komputerze znajduje się zintegrowany układ graficzny, skontaktuj się z firmą Dell. Informacje o sposobach kontaktowania się z firmą Dell można znaleźć w wersji elektronicznej <i>Podręcznika użytkownika</i>.
	Możliwa awaria dysku twardego lub napędu dyskietek.	Powtórnie zamontuj wszystkie kable zasilania i danych, a następnie uruchom ponownie komputer.
	Możliwa awaria złącza USB.	Zainstaluj ponownie wszystkie urządzenia USB, sprawdź połączenia kabli, a następnie uruchom ponownie komputer.

Stan lampek	Opis problemu	Sugerowane rozwiązanie
	Nie wykryto modułów pamięci.	<ul style="list-style-type: none"> • Jeżeli zainstalowany jest jeden moduł pamięci, przeinstaluj go i ponownie uruchom komputer. Szczegółowe informacje o ponownej instalacji modułów pamięci można znaleźć w wersji elektronicznej <i>Podręcznika użytkownika</i>. • Jeżeli zainstalowanych jest więcej modułów pamięci niż jeden, wyjmij te moduły, zainstaluj powtórnie jeden moduł, a następnie ponownie uruchom komputer. Jeżeli proces uruchomienia komputera przebiegnie normalnie, powtórnie zainstaluj kolejny moduł. Powtarzaj tę procedurę aż do zidentyfikowania wadliwego modułu lub do bezbłędnego zakończenia powtórnej instalacji wszystkich modułów. • Jeśli to możliwe, zainstaluj w komputerze prawidłowo działającą pamięć tego samego typu. • Jeśli problem nadal występuje, skontaktuj się z firmą Dell. Informacje o sposobach kontaktowania się z firmą Dell można znaleźć w wersji elektronicznej <i>Podręcznika użytkownika</i>.
	Moduły pamięci zostały wykryte, ale występuje błąd konfiguracji lub zgodności pamięci.	<ul style="list-style-type: none"> • Upewnij się, że nie ma żadnych specjalnych wymagań dotyczących położenia modułów pamięci lub złączy pamięci. • Sprawdź, czy instalowane moduły pamięci są zgodne z komputerem. • Jeśli problem nie został usunięty, skontaktuj się z firmą Dell. Informacje o sposobach kontaktowania się z firmą Dell można znaleźć w wersji elektronicznej <i>Podręcznika użytkownika</i>.
	<p>Wystąpiła awaria.</p> <p>Ten wzorzec jest również wyświetlany po uruchomieniu programu konfiguracji systemu i nie musi oznaczać problemu.</p>	<ul style="list-style-type: none"> • Upewnij się, że kable łączące płytę systemową z dyskiem twardym, napędem CD i napędem DVD są poprawnie podłączone. • Sprawdź komunikat wyświetlony przez komputer na ekranie. • Jeśli problem nadal występuje, skontaktuj się z firmą Dell. Informacje o sposobach kontaktowania się z firmą Dell można znaleźć w wersji elektronicznej <i>Podręcznika użytkownika</i>.

Kody dźwiękowe

Na wypadek gdyby wyświetlanie na monitorze informacji o błędach było niemożliwe, podczas procedury startowej komputer może generować szereg sygnałów dźwiękowych. Sygnały te, nazywane kodami dźwiękowymi, identyfikują problem. Jeden z możliwych kodów dźwiękowych (kod 1 3-1) składa się z jednego dźwięku, zestawu trzech dźwięków, po którym następuje jeden dźwięk. Ten kod dźwiękowy informuje, że w komputerze wystąpił problem z pamięcią.

Jeśli podczas uruchamiania komputera generowane są sygnały dźwiękowe:

- 1 Zapisz kod dźwiękowy.
- 2 Aby zidentyfikować poważniejsze przyczyny, patrz część „Program Dell Diagnostics“ na stronie 353.
- 3 Skontaktuj się z firmą Dell w celu uzyskania pomocy technicznej. Informacje o sposobach kontaktowania się z firmą Dell można znaleźć w wersji elektronicznej *Podręcznika użytkownika*.

Kod	Przyczyna	Kod	Przyczyna
1-1-2	Uszkodzenie rejestru mikroprocesora	3-1-4	Błąd w rejestrze podrzędnym masek przerw
1-1-3	Błąd odczytu/zapisu NVRAM	3-2-2	Błąd ładowania wektora przerw
1-1-4	Błąd sumy kontrolnej ROM BIOS	3-2-4	Błąd podczas testowania kontrolera klawiatury
1-2-1	Błąd programowalnego czasomierza interwału	3-3-1	Utrata zasilania NVRAM
1-2-2	Błąd inicjalizacji DMA	3-3-2	Błędna konfiguracja pamięci NVRAM
1-2-3	Błąd odczytu/zapisu rejestru stron DMA	3-3-4	Błąd podczas testowania pamięci obrazu
1-3	Błąd podczas testowania pamięci obrazu	3-4-1	Błąd inicjalizacji ekranu
1-3-1 do 2-4-4	Nieprawidłowo zidentyfikowane lub używane moduły pamięci	3-4-2	Błąd odtwarzania ekranu
3-1-1	Błąd w rejestrze podrzędnym DMA	3-4-3	Błąd przeszukiwania pamięci ROM obrazu
3-1-2	Błąd w rejestrze nadrzędnym DMA	4-2-1	Brak taktu zegara
3-1-3	Błąd w rejestrze nadrzędnym masek przerw	4-2-2	Błąd podczas zamykania komputera
4-2-3	Błąd bramki A20	4-4-1	Błąd podczas testowania portu szeregowego lub równoległego
4-2-4	Nieoczekiwane przerwianie w trybie chronionym	4-4-2	Błąd podczas testowania pamięci obrazu
4-3-1	Błąd pamięci powyżej adresu 0FFFFh	4-4-3	Błąd podczas testowania koprocatora matematycznego
4-3-3	Uszkodzenie kości licznika 2	4-4-4	Błąd podczas testowania pamięci podręcznej
4-3-4	Zegar nie działa		

Rozwiązywanie problemów dotyczących niezgodności oprogramowania i sprzętu


Jeśli urządzenie nie zostało wykryte podczas uruchamiania programu konfiguracji systemu lub zostało wykryte, lecz nie zostało odpowiednio skonfigurowane, do wyeliminowania tej niezgodności można użyć Narzędzia do rozwiązywania problemów ze sprzętem.

- 1 Kliknij przycisk **Start** i pozycję **Help and Support** (Pomoc i obsługa techniczna).

- 2 W polu **Search** (Znajdź) wpisz **hardware troubleshooter** (rozwiązywanie problemów sprzętowych), a następnie kliknij strzałkę, aby rozpocząć wyszukiwanie.
- 3 Kliknij **Hardware Troubleshooter** (Rozwiązywanie problemów sprzętowych) na liście **Search Results** (Wyniki wyszukiwania).
- 4 Na liście **Hardware Troubleshooter** (Rozwiązywanie problemów sprzętowych), kliknij pozycję **I need to resolve a hardware conflict on my computer** (Muszę rozwiązać konflikt sprzętowy w komputerze), a następnie kliknij **Next** (Dalej).

Korzystanie z funkcji przywracania systemu Microsoft Windows XP


System operacyjny Microsoft Windows XP wyposażony jest w funkcję przywracania systemu pozwalającą Ci przywrócić komputer do stanu wcześniejszego (bez wpływu na pliki), jeżeli zmiany w sprzęcie, oprogramowaniu lub inne zestawienia systemu spowodowały, że komputer działa niezgodnie z oczekiwaniami. Więcej informacji na temat funkcji przywracania systemu można znaleźć w Centrum pomocy i obsługi technicznej systemu Windows. Aby uzyskać dostęp do Centrum pomocy i obsługi technicznej systemu Windows, patrz „Centrum pomocy i obsługi technicznej systemu Windows“ na stronie 313.

 **POUCZENIE:** Należy regularnie wykonywać kopie zapasowe plików danych. Funkcja przywracania systemu nie monitoruje plików danych użytkownika ani ich nie przywraca.

Tworzenie punktu przywracania

- 1 Kliknij przycisk **Start** i pozycję **Help and Support** (Pomoc i obsługa techniczna).
- 2 Kliknij opcję **System Restore** (Przywracanie systemu).
- 3 Wykonaj instrukcje pokazane na ekranie.

Przywracanie komputera do wcześniejszego stanu

 **POUCZENIE:** Przed przywracaniem komputera do wcześniejszego stanu należy zapisać i zamknąć wszystkie otwarte pliki oraz zamknąć wszystkie otwarte programy. Dopóki przywracanie systemu nie zostanie zakończone, nie wolno modyfikować, otwierać ani usuwać plików ani programów.

- 1 Kliknij przycisk **Start**, wskaż pozycję **All Programs** (Programy) → **Accessories** (Akcesoria) → **System Tools** (Narzędzia systemowe), a następnie kliknij **System Restore** (Przywracanie systemu).
- 2 Upewnij się, że wybrana jest opcja **Restore my computer to an earlier time** (Przywróć mój komputer do wcześniejszego stanu), a następnie kliknij **Next** (Dalej).

- 3 Kliknij datę, do której chcesz przywrócić swój komputer.

Na ekranie **Select a Restore Point** (Wybieranie punktu przywracania) dostępny jest kalendarz umożliwiający przeglądanie i wybór punktów przywracania. Każda data z dostępnymi punktami przywracania jest wyświetlona czcionką pogrubioną.

- 4 Wybierz punkt przywracania i kliknij **Next** (Dalej).

Jeżeli w kalendarzu jest tylko jeden punkt przywracania, wtedy ten punkt zostanie automatycznie wybrany. Jeśli dostępne są dwa lub więcej punktów przywracania, kliknij odpowiedni punkt.

- 5 Kliknij **Next** (Dalej).

Gdy funkcja przywracania systemu zakończy zbieranie danych, zostanie wyświetlone okno **Restoration Complete** (Przywracanie zakończone), a następnie komputer zostanie uruchomiony ponownie.

- 6 Po ponownym uruchomieniu komputera kliknij **OK**.

Aby zmienić punkt przywrócenia, możesz albo powtórzyć wszystkie czynności dla innego punktu przywracania, albo cofnąć przywracanie.

Wycofanie ostatniego przywracania systemu



POUCZENIE: Przed cofnięciem ostatniego przywracania systemu należy zapisać i zamknąć wszystkie otwarte pliki oraz zamknąć wszystkie otwarte programy. Dopóki przywracanie systemu nie zostanie zakończone, nie wolno modyfikować, otwierać ani usuwać plików ani programów.

- 1 Kliknij przycisk **Start**, wskaż pozycję **All Programs** (Programy) → **Accessories** (Akcesoria) → **System Tools** (Narzędzia systemowe), a następnie kliknij **System Restore** (Przywracanie systemu).
- 2 Wybierz pozycję **Undo my last restoration** (Cofnij moje ostatnie przywracanie) i kliknij **Next** (Dalej).
- 3 Kliknij **Next** (Dalej).
Zostanie wyświetlony ekran **System Restore** (Przywracanie systemu), po czym nastąpi ponowne uruchomienie komputera.
- 4 Po ponownym uruchomieniu komputera kliknij **OK**.

Włączanie funkcji System Restore (Przywracanie systemu)

Jeżeli ponownie instalujesz Windows XP z mniej niż 200 MB dostępnego miejsca na twardym dysku, przywracanie systemu zostanie automatycznie wyłączone. Aby sprawdzić, czy funkcja przywracania systemu jest włączona:

- 1 Kliknij przycisk **Start**, a następnie kliknij polecenie **Control Panel** (Panel sterowania).
- 2 Kliknij opcję **Performance and Maintenance** (Wydajność i konserwacja).
- 3 Kliknij pozycję **System**.
- 4 Kliknij zakładkę **System Restore** (Przywracanie systemu).
- 5 Upewnij się, że opcja **Turn off System Restore** (Wyłącz przywracanie systemu) nie jest zaznaczona.

Ponowna instalacja systemu Microsoft Windows XP

Instrukcja uruchomienia




UWAGA: Procedury w tym dokumencie zostały napisane dla domyślnego widoku systemu Windows w wersji Windows XP Home Edition, więc w przypadku ustawienia w komputerze Dell klasycznego widoku systemu Windows lub używania systemu w wersji Windows XP Professional punkty będą się różnić.

W przypadku planowania ponownej instalacji systemu Windows XP w celu naprawienia problemu z nowo zainstalowanym sterownikiem, należy najpierw spróbować użyć funkcji przywracania sterowników urządzeń systemu Windows XP.



- 1 Kliknij przycisk **Start** i kliknij polecenie **Control Panel** (Panel sterowania).
- 2 W obszarze **Pick a Category** (Wybierz kategorię) kliknij ikonę **Performance and Maintenance** (Wydajność i konserwacja).
- 3 Kliknij pozycję **System**.
- 4 W oknie **System Properties** (Właściwości: System) kliknij zakładkę **Hardware** (Sprzęt).
- 5 Kliknij przycisk **Device Manager** (Menedżer urządzeń).

- 6 Kliknij prawym przyciskiem myszy urządzenie, dla którego został zainstalowany nowy sterownik, a następnie kliknij polecenie **Properties** (Właściwości).
- 7 Kliknij kartę **Drivers** (Sterowniki).
- 8 Kliknij polecenie **Roll Back Driver** (Przywróć sterownik).

Jeżeli funkcja przywracania sterowników urządzeń nie rozwiąże problemu, należy użyć funkcji przywracania systemu, aby przywrócić system operacyjny do stanu sprzed instalacji nowego sterownika (patrz „Korzystanie z funkcji przywracania systemu Microsoft Windows XP“ na stronie 361).

 **UWAGA:** Dysk CD ze sterownikami i programami narzędziowymi (Drivers and Utilities CD) zawiera sterowniki, które zostały zainstalowane podczas montażu komputera. Użyj dysku CD *dysk CD ze sterownikami i programami narzędziowymi (Drivers and Utilities CD)*, aby załadować wszystkie wymagane sterowniki.łącznie ze sterownikami niezbędnymi, jeżeli w komputerze występuje kontroler RAID.

Ponowna instalacja systemu Windows XP



-  **POUCZENIE:** Aby ponownie zainstalować system Windows XP, należy użyć dodatku Microsoft Windows XP Service Pack 1 lub nowszego.
-  **POUCZENIE:** Przed rozpoczęciem instalowania należy wykonać kopie zapasowe wszystkich plików danych na głównym dysku twardym. W konwencjonalnych konfiguracjach dysków twardych, za podstawowy dysk twardy uznaje się pierwszy dysk wykryty przez komputer.

Aby zainstalować ponownie system Windows XP, potrzebne są następujące elementy:

- Dysk CD z *systemem operacyjnym*
- Dell Dysk CD ze sterownikami i programami narzędziowymi (Drivers and Utilities CD)

Aby przeinstalować system Windows XP, wykonaj wszystkie poniższe działania w takiej kolejności, w jakiej zostały opisane.

Proces ponownej instalacji może potrwać od 1 do 2 godzin. Po ponownym zainstalowaniu systemu operacyjnego należy ponownie zainstalować sterowniki urządzeń, oprogramowanie antywirusowe i inne oprogramowanie.

-  **POUCZENIE:** Dysk CD zawierający *system operacyjny* udostępnia opcje ponownej instalacji systemu operacyjnego Windows XP. Opcje te mogą spowodować zastąpienie plików i mieć wpływ na programy zainstalowane na dysku twardym. Dlatego nie należy ponownie instalować systemu operacyjnego Windows XP, o ile pomoc techniczna firmy Dell nie zaleci wykonania tej czynności.
-  **POUCZENIE:** Aby uniknąć konfliktów z systemem Windows XP, należy wyłączyć programy antywirusowe zainstalowane na komputerze przed ponowną instalacją systemu Windows XP. Informacje na ten temat można znaleźć w dokumentacji oprogramowania.

Uruchamianie systemu operacyjnego z dysku CD

- 1 Zapisz i zamknij wszystkie otwarte pliki oraz zamknij wszystkie otwarte programy.
- 2 Włóż dysk CD zawierający *system operacyjny*. Kliknij **Exit** (Zakończ) w przypadku pojawienia się komunikatu **Install Windows XP** (Instalacja Windows XP).
- 3 Uruchom komputer.
- 4 Naciśnij <F12> zaraz po wyświetleniu logo DELL.

Jeśli pojawi się logo systemu operacyjnego, poczekaj, aż zobaczysz pulpit Windows, a następnie wyłącz komputer i spróbuj ponownie.

- 5 Za pomocą klawiszy strzałek wybierz pozycję **CD-ROM** i naciśnij klawisz <Enter>.
- 6 Po wyświetleniu komunikatu *Press any key to boot from CD* (Naciśnij dowolny klawisz, aby dokonać rozruchu z dysku CD) naciśnij dowolny klawisz.

Instalacja systemu Windows XP

- 1 Po wyświetleniu ekranu **Windows XP Setup** (Instalacja systemu Windows XP) naciśnij klawisz <Enter>, aby wybrać opcję **To set up Windows now** (Instalowanie systemu Windows teraz).
- 2 Przeczytaj informacje umieszczone na ekranie **Microsoft Windows Licensing Agreement** (Umowa licencyjna systemu Microsoft Windows) i naciśnij klawisz <F8>, aby zaakceptować umowę licencyjną.
- 3 Jeśli na komputerze jest już zainstalowany system Windows XP i użytkownik chce odzyskać aktualne dane systemu Windows XP, należy wpisać *r* w celu wybrania opcji naprawiania, a następnie wyjąć dysk CD.
- 4 Jeśli zainstalowana ma być nowa kopia systemu Windows XP, naciśnij klawisz <Esc>, aby wybrać tę opcję.
- 5 Naciśnij klawisz <Enter>, aby wybrać zaznaczoną partycję (zalecane), a następnie postępuj zgodnie z instrukcjami wyświetlanymi na ekranie.


Zostanie wyświetlony ekran **Windows XP Setup** (Instalacja systemu Windows XP), a system operacyjny rozpocznie kopiowanie plików i instalowanie urządzeń. Komputer zostanie kilka razy automatycznie uruchomiony ponownie.




UWAGA: Czas potrzebny na zakończenie instalacji zależy od rozmiaru dysku twardego i szybkości komputera.



POUCZENIE: Po wyświetleniu następującego komunikatu nie należy naciskać żadnego klawisza: *Press any key to boot from the CD* (Naciśnij dowolny klawisz, aby dokonać rozruchu z dysku CD).


- 6 Po wyświetleniu ekranu **Regional and Language Options** (Opcje regionalne i językowe) wybierz ustawienia dla danej lokalizacji, a następnie kliknij **Next** (Dalej).
 - 7 Na ekranie **Personalize Your Software** (Spersonalizuj swoje oprogramowanie) wpisz swoje imię, nazwisko oraz nazwę firmy (opcjonalnie) i kliknij przycisk **Next** (Dalej).
 - 8 W oknie **Computer Name and Administrator Password** (Nazwa komputera i hasło administratora) wpisz nazwę danego komputera (lub zaakceptuj podaną) oraz hasło, a następnie kliknij **Next** (Dalej).
 - 9 Jeśli zostanie wyświetlony ekran **Modem Dialing Information** (Informacje o wybieraniu numerów przez modem), wpisz żądane informacje i kliknij **Next** (Dalej).
 - 10 W oknie **Date and Time Settings** (Ustawienia daty i godziny) wpisz datę, godzinę i strefę czasową, a następnie kliknij **Next** (Dalej).
 - 11 Po wyświetleniu ekranu **Networking Settings** (Ustawienia sieci), kliknij opcję **Typical** (Typowe), a następnie kliknij **Next** (Dalej).
 - 12 Jeśli podczas ponownej instalacji systemu Windows XP Professional użytkownik zostanie poproszony o podanie dodatkowych informacji dotyczących konfiguracji sieci, należy wpisać odpowiednie dane. Jeśli nie wiadomo, jakie ustawienia podać, należy zaakceptować wartości domyślne.
Windows XP rozpoczyna instalację swoich komponentów i konfigurowanie komputera. Komputer zostanie automatycznie uruchomiony ponownie.
-  **POUCZENIE:** Po wyświetleniu następującego komunikatu nie należy naciskać żadnego klawisza: *Press any key to boot from the CD* (Naciśnij dowolny klawisz, aby dokonać rozruchu z dysku CD).
- 13 Po wyświetleniu ekranu **Welcome to Microsoft** (Zapraszamy) kliknij **Next** (Dalej).

- 14 Gdy pojawi się komunikat *How will this computer connect to the Internet?* (Jak podłączyć komputer do Internetu?), kliknij **Skip** (Pomiń).
- 15 Gdy pojawi się ekran **Ready to register with Microsoft?** (Zarejestrować w firmie Microsoft?), zaznacz pole **No, not at this time** (Nie, nie tym razem) i kliknij przycisk **Next** (Dalej).
- 16 Gdy pojawi się ekran **Who will use this computer?** (Kto będzie korzystał z tego komputera?), można podać do pięciu użytkowników.
- 17 Kliknij **Next** (Dalej).
- 18 Kliknij **Finish** (Zakończ), aby zakończyć instalację i wyjmij dysk CD.
- 19 Ponownie zainstaluj odpowiednie sterowniki przy użyciu dysk CD ze *sterownikami i programami narzędziowymi* (Drivers and Utilities CD).
- 20 Ponownie zainstaluj oprogramowanie antywirusowe.
- 21 Ponownie zainstaluj wszystkie programy.

 **UWAGA:** Aby ponownie zainstalować i aktywować programy pakietu Microsoft Office lub Microsoft Works Suite, potrzebny jest klucz produktu, umieszczony na okładce opakowania tych programów.

Korzystanie z dysku CD Drivers and Utilities

Aby korzystać z dysku CD *Drivers and Utilities* (ResourceCD) przy uruchomionym systemie operacyjnym Windows.

 **UWAGA:** Aby uzyskać dostęp do sterowników urządzeń i dokumentacji użytkownika, należy użyć dysku CD *Drivers and Utilities* przy uruchomionym systemie Windows.

- 1 Włącz komputer i zaczekaj na wyświetlenie pulpitu systemu Windows.
- 2 Włóż dysk CD *Drivers and Utilities* do napędu CD-ROM.

Jeżeli na tym komputerze korzystasz z dysku CD *Drivers and Utilities* po raz pierwszy, zostanie wyświetlone okno **instalacji ResourceCD** z informacją, że za chwilę rozpocznie się instalacja z dysku CD *Drivers and Utilities*.

- 3 Kliknij przycisk **OK**, aby kontynuować.
Aby zakończyć instalację, wykonuj kolejne polecenia programu instalacyjnego.
- 4 Kliknij **Next** (Dalej) na ekranie **Welcome Dell System Owner** (Witamy właściciela komputera Dell).

Wybierz odpowiednie ustawienia opcji **System Model** (Model systemu), **Operating System** (System operacyjny), **Device Type** (Typ urządzenia) i **Topic** (Temat).

Sterowniki do komputera

Aby wyświetlić listę sterowników przeznaczonych dla komputera:

- 1 W menu rozwijanym **Topic** (Temat) kliknij opcję **My Drivers** (Moje sterowniki).
Dysk CD *Drivers and Utilities* (opcjonalny) sprawdzi zainstalowany sprzęt i system operacyjny, a następnie na ekranie zostanie wyświetlona lista sterowników urządzeń odpowiadająca aktualnej konfiguracji systemu.
- 2 Kliknij odpowiedni sterownik i postępuj zgodnie z instrukcjami, aby pobrać sterownik do komputera.

Aby wyświetlić wszystkie dostępne sterowniki, w menu rozwijanym **Topic** (Temat) należy kliknąć polecenie **Drivers** (Sterowniki).

Indeks

C

Centrum pomocy i obsługi technicznej, 313

D

Dell

witryna pomocy technicznej, 314

diagnostyka

kody dźwiękowe, 359

program Dell Diagnostics, 353

dokumentacja

bezpieczeństwo, 312

ergonomia, 312

gwarancja, 312

prawo, 312

Przewodnik użytkownika, 312

Przewodnik użytkownika

produktu, 312

Umowa licencyjna

użytkownika

końcowego, 312

wersja elektroniczna, 314

Drivers and Utilities CD, 311

Dysk CD z systemem operacyjnym, 313

Dyski CD

system operacyjny, 313

E

etykiety

Microsoft Windows, 313

numer seryjny, 313

I

informacje dotyczące ergonomii, 312

informacje o gwarancji, 312

informacje prawne, 312

instalowanie części zanim zaczniesz, 332

instrukcje dotyczące bezpieczeństwa, 312

K

kody dźwiękowe, 359

komunikaty o błędach

kody dźwiękowe, 359

lampki diagnostyczne, 357

lampki systemowe, 356

konflikty

niezgodność oprogramowania i sprzętu, 360

konflikty IRQ, 360

L

lampka zasilania

diagnozowanie problemów, 356

lampki

diagnostyka, 357

system, 356

zasilanie, 321, 325

N

numer seryjny, 313

P

płyta główna. *Patrz* płyta systemowa

płyta systemowa, 340, 343, 349

plik pomocy

Centrum pomocy i obsługi technicznej systemu Windows, 313

pokrywa

zdejmowanie, 331

ponowna instalacja

Windows XP, 362

problemy. *Patrz rozwiązywanie problemów*

Program Dell

Diagnostics, 353

Przewodnik użytkownika, 312

Przewodnik z informacjami o produkcie, 312

Przywracanie systemu, 361

R

rozwiązywanie problemów

Centrum pomocy i obsługi technicznej, 313

kody dźwiękowe, 359

konflikty, 360

lampki diagnostyczne, 357

lampki systemowe, 356

program Dell Diagnostics, 353

przywracanie komputera do poprzedniego stanu pracy, 361

Rozwiązywanie problemów ze sprzętem, 360

Rozwiązywanie problemów ze sprzętem, 360

S

sprzęt

kody dźwiękowe, 359

konf, 360

program Dell Diagnostics, 353

sterowniki

lista, 365

system operacyjny

ponowna instalacja, 313

ponowna instalacja Windows XP, 362

U

Umowa licencyjna użytkownika końcowego, 312

W

Windows XP

Centrum pomocy i obsługi technicznej, 313

Hardware Troubleshooter, 360

instalacja, 364

ponowna instalacja, 313, 362

Przywracanie systemu, 361

Rozwiązywanie problemów ze sprzętem, 360

witryna internetowa pomocy technicznej, 314

Z

zasilanie

lampka, 321, 325

פ

תוכנית האבחון של Dell, 414

פתרון בעיות

התנגשויות, 421
מרכז העזרה והתמיכה, 374
נוריות אבחון, 418
נוריות מערכת, 417
קודי צפצוף, 420
שחזור המחשב למצב הפעלה קודם, 422
תוכנית האבחון של Dell, 414
Hardware Troubleshooter
(פותר בעיות החומרה), 421

תיעוד

אחריות, 374
ארגונומיה, 374
בטיחות, 374
הסכם רשיון למשתמש קצה, 374
מדריך למשתמש, 373
מדריך מידע מוצר, 374
מקוון, 375
תקינה, 374

תקליטור Drivers and Utilities
(מנהלי התקנים ותוכניות שירות), 373

תקליטורים

מערכת הפעלה, 374

ק

קובץ עזרה

מרכז העזרה והתמיכה של
Windows, 374

H

Hardware Troubleshooter (פותר
בעיות החומרה), 421

קודי צפצוף, 420

ש

שחזור מערכת, 422

W

Windows XP

התקנה מחדש, 374, 423

התקנה, 425

מרכז העזרה והתמיכה, 374

שחזור מערכת, 422

Hardware Troubleshooter

(פותר בעיות החומרה), 421

ת

תג שירות, 375

תוויות

תג שירות, 375

Microsoft Windows, 375

תוכנה

התנגשויות, 421

אינדקס

א

אבחון
קודי צפצוף, 420
תוכנית האבחון של Dell, 414
אחריות, מידע, 374
ארגונומיה, מידע, 374
אתר התמיכה של Dell, 375
אתר תמיכה, 375

ב

בעיות. ראה פתרון בעיות

ה

הודעות שגיאה
נוריות אבחון, 418
נוריות מערכת, 417
קודי צפצוף, 420
הוראות בטיחות, 374
הסכם רשיון למשתמש קצה, 374

ח

התנגשויות
אי-תאימויות בתוכנה ובחומרה,
421
התנגשויות IRQ, 421
התקנה מחדש
Windows XP, 423
התקנת חלקים
לפני שתתחיל, 393
חומרה
התנגשויות, 421
קודי צפצוף, 420
תוכנית האבחון של Dell, 414

ל

לוח אם. ראה לוח מערכת
לוח מערכת, 401, 404, 410

מ

מדריך למשתמש, 373
מדריך מידע מוצר, 374
מידע תקינה, 374
מכסה
הסרה, 392
מנהלי התקנים
רשימה של, 426
מערכת ההפעלה - תקליטור, 374
מערכת הפעלה
התקנה מחדש של Windows XP,
423
התקנה מחדש, 374
מרכז העזרה והתמיכה, 374


נ

נוריות
אבחון, 418
חשמל, 382, 386
מערכת, 417
נורית הפעלה
אבחון בעיות באמצעות, 417

18 לחץ על **Finish** (סיום) כדי להשלים את ההתקנה והסר את התקליטור.
19 התקן מחדש את מנהלי ההתקנים המתאימים מהתקליטור *Drivers and Utilities* (מנהלי ההתקנים ותוכניות השירות).

20 התקן מחדש את תוכנת ההגנה מפני וירוסים.

21 התקן מחדש את התוכנות.

 **הערה:** כדי להתקין מחדש ולהפעיל את תוכניות Microsoft Office או Microsoft Works Suite, תזדקק למספר מפתח המוצר הנמצא בגב תקליטור Microsoft Office או Microsoft Works Suite.

שימוש בתקליטור מנהלי ההתקנים ותוכניות השירות

כדי להשתמש בתקליטור *Drivers and Utilities* (מנהלי התקנים ותוכניות שירות) (*ResourceCD*) בזמן הפעלה של מערכת ההפעלה Windows.

 **הערה:** כדי לגשת למנהלי ההתקנים ולתיעוד המשתמש, עליך להשתמש בתקליטור *Drivers and Utilities* בזמן ש-Windows פועל.

- 1 הפעל את המחשב ואפשר לו לאתחל לשולחן העבודה של Windows.
- 2 הכנס את התקליטור *Drivers and Utilities* לכונן התקליטורים.
אם זהו השימוש הראשון בתקליטור *Drivers and Utilities* במחשב זה, החלון **ResourceCD Installation** נפתח ומודיע שהתקליטור *Drivers and Utilities* עומד להתחיל בהתקנה.
- 3 לחץ על **OK** (אישור) כדי להמשיך.
כדי להשלים את ההתקנה, הגב להודעות המוצגות על-ידי תוכנית ההתקנה.
- 4 במסך **Welcome Dell System Owner**, לחץ על **Next** (הבא).
- 5 בחר את **System Model** (דגם המערכת), **Operating System** (מערכת ההפעלה), **Device Type** (סוג ההתקן) ו-**Topic** (הנושא) המתאימים.

מנהלי התקנים עבור המחשב


כדי להציג רשימה של מנהלי התקנים עבור המחשב:

- 1 לחץ על **My Drivers** (ההתקנים שלי) בתפריט הנפתח **Topic** (נושא).
התקליטור *Drivers and Utilities* (אופציונלי) סורק את חומרת המחשב ואת מערכת ההפעלה ולאחר מכן מוצגת על המסך רשימה של מנהלי התקנים עבור תצורת המערכת.
- 2 לחץ על מנהל ההתקן המתאים ובצע את ההוראות להורדת מנהל ההתקן למחשב.
כדי להציג את כל מנהלי ההתקנים הזמינים עבור המחשב, לחץ על **Drivers** (מנהלי התקנים) בתפריט הנפתח **Topic** (נושא).


התקנת Windows XP


- 1 כאשר מופיע המסך **Windows XP Setup** (התקנת Windows XP), הקש <Enter> כדי לבחור באפשרות **To set up Windows now** (להתקנת Windows כעת).
 - 2 קרא את המידע במסך **Microsoft Windows Licensing Agreement** (הסכם רשיון של Microsoft Windows) והקש <F8> כדי לקבל את הסכם הרשיון.
 - 3 אם Windows XP כבר מותקן במחשב וברצונך לשחזר את נתוני Windows XP הנוכחיים, הקלד r כדי לבחור את אפשרות התיקון והסר את התקליטור.
 - 4 אם ברצונך להתקין עותק חדש של Windows XP, הקש <Esc> כדי לבחור אפשרות זו.
 - 5 הקש <Enter> כדי לבחור את המחיצה המסומנת (מומלץ) ובצע את ההוראות שעל מסך המסך **Windows XP Setup** (התקנת Windows XP) מופיע ומערכת ההפעלה מתחילה להעתיק קבצים ולהתקין את ההתקנים. המחשב מופעל מחדש באופן אוטומטי מספר פעמים.
- הערה:** הזמן הדרוש להשלמת ההתקנה תלוי בגודל הכונן הקשיח ובמהירות המחשב.
- שים לב:** אל תלחץ על אף מקש כאשר ההודעה הבאה מופיעה: Press any key to boot from the CD (לחץ על מקש כלשהו כדי לאתחל מהתקליטור).
- 6 כאשר מופיע המסך **Regional and Language Options** (אפשרויות אזוריות ושפה), בחר בהגדרות האזור שלך ולאחר מכן לחץ על **Next** (הבא).
 - 7 הזן את שמך ואת שם הארגון שלך (אופציונלי) במסך **Personalize Your Software** (התאמה אישית של התוכנה) ולאחר מכן לחץ על **Next** (הבא).
 - 8 בחלון **Computer Name and Administrator Password** (שם מחשב וסיסמת מנהל), הזן שם עבור המחשב (או קבל את השם שניתן) וסיסמה ולחץ על **Next** (הבא).
 - 9 אם המסך **Modem Dialing Information** (מידע חיוג מודם) מופיע, הזן את המידע המבוקש ולחץ על **Next** (הבא).
 - 10 הזן את התאריך, השעה ואזור הזמן בחלון **Date and Time Settings** (הגדרות תאריך ושעה) ולאחר מכן לחץ על **Next** (הבא).
 - 11 אם המסך **Networking Settings** (הגדרות עבודה ברשת) מופיע, לחץ על **Typical** (טיפוסי) ולאחר מכן לחץ על **Next** (הבא).
 - 12 אם אתה מתקין Windows XP Professional ומתבקש להזין מידע נוסף בנוגע לתצורת הרשת, הזן את בחירותיך. אם אינך בטוח מהן ההגדרות, קבל את בחירות ברירת המחדל.
- Windows XP מתקין את מערכת ההפעלה וקובע את תצורת המחשב. המחשב מופעל מחדש באופן אוטומטי.
- שים לב:** אל תלחץ על אף מקש כאשר ההודעה הבאה מופיעה: Press any key to boot from the CD (לחץ על מקש כלשהו כדי לאתחל מהתקליטור).
- 13 אם המסך **Welcome to Microsoft** מופיע, לחץ על **Next** (הבא).
 - 14 כאשר מופיעה ההודעה **How will this computer connect to the Internet?** (כיצד מחשב זה מתחבר לאינטרנט?), לחץ על **Skip** (דלג).
 - 15 כאשר מופיע המסך **Ready to register with Microsoft?** (מוכן לבצע רישום ב-Microsoft?), בחר **No, not at this time** (לא, לא כעת) ולאחר מכן לחץ על **Next** (הבא).
 - 16 כאשר מופיע המסך **Who will use this computer?** (מי ישתמש במחשב זה?), באפשרותך להזין עד חמישה משתמשים.
 - 17 לחץ על **Next** (הבא).

אם Device Driver Rollback אינו פותר את הבעיה, השתמש בשחזור המערכת כדי להחזיר את מערכת ההפעלה למצב ההפעלה שבו הייתה לפני התקנת מנהל ההתקן החדש (ראה "שימוש בשחזור המערכת של Microsoft Windows XP" בעמוד 422).

 **הערה:** התקליטור *Drivers and Utilities* (מנהלי התקנים ותוכניות שירות) מכיל מנהלי התקנים שהותקנו במהלך הרכבת המחשב. השתמש בתקליטור *Drivers and Utilities* כדי לטעון את מנהלי ההתקנים הדרושים, כולל מנהלי ההתקנים הדרושים אם המחשב מצויד בבקר RAID.

התקנה מחדש של Windows XP

 **שים לב:** בעת התקנת Windows XP, עליך להשתמש ב- Windows XP Service Pack 1 או גרסה מתקדמת יותר.

 **שים לב:** לפני ביצוע ההתקנה, גבה את כל קובצי הנתונים בכונן הקשיח הראשי. בתצורות כונן קשיח רגילות, הכונן הקשיח הראשי הוא הכונן המזוהה ראשון על-ידי המחשב.


כדי להתקין מחדש את Windows XP, תזדקק לפריטים הבאים:


- תקליטור מערכת ההפעלה של Dell

- תקליטור *Drivers and Utilities* (מנהלי התקנים ותוכניות שירות) של Dell

כדי להתקין מחדש את Windows XP, בצע את כל השלבים בסעיפים הבאים לפי סדר הופעתם.

השלמת תהליך ההתקנה עשויה לארוך בין שעה לשעתיים. לאחר התקנה מחדש של מערכת ההפעלה, עליך להתקין מחדש גם את מנהלי ההתקנים, תוכנית להגנה מפני וירוסים ותוכנות אחרות.


 **שים לב:** תקליטור מערכת ההפעלה מספק אפשרויות להתקנה מחדש של Windows XP. האפשרויות עשויות להחליף קבצים ולהשפיע על תוכניות המותקנות בכונן הקשיח. לכן, אל תתקין מחדש את Windows XP, אלא אם כן נציג התמיכה הטכנית של Dell הורה לך לעשות זאת.

 **שים לב:** כדי למנוע התנגשויות עם Windows XP, נטרל כל תוכנת הגנה מפני וירוסים המותקנת במחשב, לפני התקנה מחדש של Windows XP. לקבלת הוראות, עיין בתיעוד המצורף לתוכנה.

אתחול מתקליטור מערכת ההפעלה

- 1 שמור וסגור את כל הקבצים הפתוחים וצא מכל התוכניות הפתוחות.
- 2 הכנס את התקליטור *Operating System* (מערכת ההפעלה). לחץ על **Exit** (יציאה) אם מופיעה ההודעה *Install Windows XP*.
- 3 הפעל מחדש את המחשב.
- 4 מיד עם הופעת הלוגו **DELL**, הקש **<F12>**.
- אם לוגו מערכת ההפעלה מופיע, המתן עד להופעת שולחן העבודה של Windows ולאחר מכן כבה את המחשב ונסה שוב.
- 5 לחץ על מקשי החצים כדי לבחור **CD-ROM** והקש **<Enter>**.
- 6 כאשר מופיעה ההודעה *Press any key to boot from CD* (לחץ על מקש כלשהו כדי לאתחל מתקליטור), לחץ על מקש כלשהו.

ביטול שחזור המערכת האחרון

 **שים לב:** לפני ביטול שחזור המערכת האחרון, שמור וסגור את כל הקבצים הפתוחים וצא מכל התוכניות הפתוחות. אין לשנות, לפתוח או למחוק קבצים או תוכניות כלשהם עד לאחר השלמת שחזור המערכת.

1 לחץ על הלחצן **Start** (התחל), הצבע על **All Programs** (כל התוכניות) ← **Accessories** (עזרים) ← **System Tools** (כלי מערכת) ולאחר מכן לחץ על **System Restore** (שחזור מערכת).

2 לחץ על **Undo my last restoration** (בטל את השחזור האחרון שלי) ולחץ על **Next** (הבא).

3 לחץ על **Next** (הבא).

המסך **System Restore** (שחזור מערכת) מופיע ולאחר מכן המחשב מופעל מחדש.

4 לאחר הפעלה מחדש של המחשב, לחץ על **OK** (אישור).

אפשר שחזור מערכת

אם **Windows XP** מותקן מחדש עם פחות מ- 200 MB של שטח פנוי בדיסק הקשיח, תכונת שחזור המערכת מנוטרלת באופן אוטומטי. כדי לוודא שתכונת שחזור המערכת מופעלת:

1 לחץ על הלחצן **Start** (התחל) ולאחר מכן לחץ על **Control Panel** (לוח הבקרה).

2 לחץ על **Performance and Maintenance** (ביצועים ותחזוקה).


3 לחץ על **System** (מערכת).

4 לחץ על הכרטיסייה **System Restore** (שחזור המערכת).

5 ודא שהאפשרות **Turn off System Restore** (בטל את שחזור המערכת) אינה מסומנת.

התקנה מחדש של Microsoft Windows XP

לפני שתתחיל

 **הערה:** ההליכים במסמך זה נכתבו עבור תצוגת ברירת המחדל של **Windows XP Home** - **Windows XP Home Edition**, לכן השלבים עשויים להיות שונים אם תגדיר תצוגת **Windows XP Professional** קלאסית או אם תשתמש ב- **Windows XP Professional** במחשב **Dell** שברשותך.

אם אתה שוקל להתקין מחדש את מערכת ההפעלה **Windows XP** כדי לתקן בעיה במנהל התקן חדש שהותקן, נסה תחילה להשתמש ב- **Windows XP Device Driver Rollback** (חזרה למצב קודם של מנהל התקן).

1 לחץ על הלחצן **Start** (התחל) ולאחר מכן לחץ על **Control Panel** (לוח הבקרה).

2 תחת **Pick a category** (בחר קטגוריה), לחץ על **Performance and Maintenance** (ביצועים ותחזוקה).

3 לחץ על **System** (מערכת).

4 בחלון **System Properties** (מאפייני מערכת), לחץ על הכרטיסייה **Hardware** (חומרה).

5 לחץ על **Device Manager** (מנהל ההתקנים).

6 לחץ באמצעות לחצן העכבר הימני על ההתקן שעבורו הותקן מנהל ההתקן החדש ולאחר מכן לחץ על **Properties** (מאפיינים).

7 לחץ על הכרטיסייה **Drivers** (מנהלי התקנים).

8 לחץ על **Roll Back Driver** (חזור למנהל התקן קודם).

3 לחץ על **Hardware Troubleshooter** (פותר בעיות החומרה) ברשימה **Search Results** (תוצאות חיפוש).

4 ברשימה **Hardware Troubleshooter** (פותר בעיות החומרה), לחץ על **I need to resolve a hardware conflict on my computer** (עליי לפתור התנגשות חומרה במחשב) ולאחר מכן לחץ על **Next** (הבא).

שימוש בשחזור המערכת של Microsoft Windows XP

מערכת ההפעלה Microsoft Windows XP מספקת תכונה של שחזור מערכת המאפשרת להחזיר את המחשב למצב פעולה קודם (מבלי להשפיע על קובצי נתונים), במידה ששינויים בחומרה, בתוכנה או בהגדרות מערכת אחרות הותירו את המחשב במצב פעולה בלתי רצוי. לקבלת מידע על השימוש בשחזור מערכת, עיין במרכז העזרה והתמיכה של Windows. כדי לגשת למרכז העזרה והתמיכה של Windows, ראה "מרכז העזרה והתמיכה של Windows" בעמוד 6.

🔍 **שים לב:** גבה את קובצי הנתונים באופן קבוע. שחזור המערכת אינו מנטר קובצי נתונים ואינו משחזר אותם.

יצירת נקודת שחזור

1 לחץ על הלחצן **Start** (התחל) ולאחר מכן לחץ על **Help and Support** (עזרה ותמיכה).

2 לחץ על **System Restore** (שחזור מערכת).

3 בצע את ההוראות המופיעות על המסך.

שחזור המחשב למצב הפעלה קודם

🔍 **שים לב:** לפני שחזור המחשב למצב הפעלה קודם, שמור וסגור את כל הקבצים הפתוחים וצא מכל התוכניות הפתוחות. אין לשנות, לפתוח או למחוק קבצים או תוכניות כלשהם עד לאחר השלמת שחזור המערכת.

1 לחץ על הלחצן **Start** (התחל), הצבע על **All Programs** (כל התוכניות) ← **Accessories** (עזרים) ← **System Tools** (כלי מערכת) ולאחר מכן לחץ על **System Restore** (שחזור מערכת).

2 ודא שהאפשרות **Restore my computer to an earlier time** (שחזור את המחשב שלי למועד מוקדם יותר) נבחרה ולחץ על **Next** (הבא).

3 לחץ על תאריך בלוח השנה שאליו ברצונך לשחזר את המחשב.

המסך **Select a Restore Point** (בחירת נקודת שחזור) מספק לוח שנה המאפשר להציג ולבחור נקודות שחזור. כל תאריכי לוח השנה המכילים נקודות שחזור זמינות מופיעים בצורה מודגשת.

4 בחר נקודת שחזור ולחץ על **Next** (הבא).

אם תאריך בלוח השנה מכיל נקודת שחזור אחת בלבד, נקודת שחזור זו נבחרת באופן אוטומטי. אם זמינות שתי נקודות שחזור או יותר, לחץ על נקודת השחזור המועדפת.

5 לחץ על **Next** (הבא).

המסך **Restoration Complete** (השחזור הושלם) מופיע לאחר ששחזור המערכת מסיים לאסוף נתונים ולאחר מכן המחשב מופעל מחדש.

6 לאחר הפעלה מחדש של המחשב, לחץ על **OK** (אישור).

כדי לשנות את נקודת השחזור, באפשרותך לחזור על השלבים עם נקודת שחזור אחרת; לחלופין, באפשרותך לבטל את השחזור.

אם המחשב מצפצף במהלך האתחול:


- 1 רשום את קוד הצפצוף.
- 2 כדי לזהות סיבה חמורה יותר, ראה "תוכנית האבחון של Dell" בעמוד 414.
- 3 פנה אל Dell לקבלת סיוע טכני. לקבלת מידע על פנייה אל Dell, עיין במדריך למשתמש המקוון.

קוד	גורם	קוד	גורם
1-1-2	כשל ברישום מיקרו-מעבד	3-1-4	כשל ברגיסטר מיסוך פסיקות נשלט
1-1-3	כשל קריאה/כתיבה NVRAM	3-2-2	כשל בטעינת וקטור פסיקה
1-1-4	כשל בסכום ביקורת (checksum) של ROM BIOS	3-2-4	כשל בבדיקת בקר מקלדת
1-2-1	כשל בקוצב זמן מרווח ניתן לתכנות	3-3-1	איבוד אספקת חשמל ל- NVRAM
1-2-2	כשל באתחול DMA	3-3-2	תצורת NVRAM לא חוקית
1-2-3	כשל קריאה/כתיבה ברגיסטר דף DMA	3-3-4	כשל בבדיקת זיכרון מסך
1-3	כשל בבדיקת זיכרון מסך	3-4-1	כשל באתחול מסך
1-3-1 עד 2-4-4	זיהוי או שימוש לא תקין של הזיכרון	3-4-2	כשל בשחזור מסך
3-1-1	כשל ברגיסטר DMA נשלט	3-4-3	חפש תקלה ב- ROM של הווידאו
3-1-2	כשל ברגיסטר DMA ראשי	4-2-1	אין סימון שעון
3-1-3	כשל ברגיסטר מסיכת פסיקות ראשי	4-2-2	כשל בכיבוי
4-2-3	כשל בשער A20	4-4-1	כשל בבדיקת יציאה טורית או מקבילית
4-2-4	פסיקה לא צפויה במצב מוגן	4-4-2	כשל בפריסת קוד לזיכרון צל
4-3-1	כשל זיכרון מעל כתובת 0FFFFh	4-4-3	כשל בבדיקת מעבד מתמטי
4-3-3	כשל בשבב קוצב זמן של מונה 2	4-4-4	כשל בבדיקת מטמון
4-3-4	שעון Time-of-day נעצר		

פתרון בעיות אי-תאימות של תוכנה וחומרה

אם התקן אינו מזוהה במהלך הגדרת מערכת ההפעלה, או מזוהה אך תצורתו מוגדרת בצורה שגויה, באפשרותך להשתמש ב- Hardware Troubleshooter (פותר בעיות החומרה) כדי לפתור את בעיית אי התאימות.

- 1 לחץ על הלחצן **Start** (התחל) ולאחר מכן לחץ על **Help and Support** (עזרה ותמיכה).
- 2 הקלד hardware troubleshooter (פותר בעיות החומרה) בשדה **Search** (חיפוש) ולחץ על החץ כדי להפעיל את החיפוש.

תבנית נוריות	תיאור הבעיה	הצעת פתרון
	לא זוהו מודולי זיכרון.	<ul style="list-style-type: none"> אם מותקן מודול זיכרון אחד, התקן אתו מחדש והפעל מחדש את המחשב. לקבלת מידע על התקנה מחדש של מודולי זיכרון, עיין במדריך למשתמש המקוון. אם מותקנים שני מודולי זיכרון או יותר, הסר את המודולים, התקן מחדש מודול אחד ולאחר מכן הפעל מחדש את המחשב. אם המחשב עולה בצורה תקינה, התקן שוב מודול נוסף. המשך עד לזיהוי מודול פגום, או עד להתקנת כל המודולים ללא שגיאה. אם זמין, התקן במחשב זיכרון תקין מאותו סוג. אם הבעיה נמשכת, פנה אל Dell. לקבלת מידע על פנייה אל Dell, עיין במדריך למשתמש המקוון.
	מודולי זיכרון מזוהים, אך ישנן שגיאות תצורה או תאימות.	<ul style="list-style-type: none"> ודא שלא קיימות דרישות מיוחדות למודול זיכרון/מחבר. ודא שמודולי הזיכרון המותקנים תואמים למחשב. אם הבעיה נמשכת, פנה אל Dell. לקבלת מידע על פנייה אל Dell, עיין במדריך למשתמש המקוון.
	אירעה תקלה. תבנית זו מוצגת גם בעת כניסה להגדרת המערכת וייתכן שאינה מציינת בעיה.	<ul style="list-style-type: none"> ודא שהכבלים מהכונן הקשיח, כונן התקליטורים וכונן ה-DVD מחוברים כהלכה ללוח המערכת. קרא את הודעת המחשב המופיעה על מסך הצג. אם הבעיה נמשכת, פנה אל Dell. לקבלת מידע על פנייה אל Dell, עיין במדריך למשתמש המקוון.

קודי צפצוף

המחשב עשוי להשמיע סדרה של צפצופים במהלך האתחול, אם הצג אינו יכול להציג שגיאות או בעיות. סדרת צפצופים זו, הנקראת קוד צפצוף, מזהה בעיה. קוד צפצוף אפשרי אחד (קוד 1-3 1) מורכב מצפצוף אחד, רצף של שלושה צפצופים ולאחר מכן צפצוף אחד. קוד צפצוף זה מציינ שבמחשב ישנה בעיית זיכרון.

תבנית נוריות	תיאור הבעיה	הצעת פתרון
① ② ③ ④	מודולי זיכרון מזוהים, אך התרחש כשל בזיכרון.	<ul style="list-style-type: none"> • אם מותקן מודול זיכרון אחד, התקן אתו מחדש והפעל מחדש את המחשב. לקבלת מידע על התקנה מחדש של מודולי זיכרון, עיין במדריך למשתמש המקוון. • אם מותקנים שני מודולי זיכרון או יותר, הסר את המודולים, התקן מחדש מודול אחד ולאחר מכן הפעל מחדש את המחשב. אם המחשב עולה בצורה תקינה, התקן שוב מודול נוסף. המשך עד לזיהוי מודול פגום, או עד להתקנת כל המודולים ללא שגיאה. • אם זמין, התקן במחשב זיכרון תקין מאותו סוג. • אם הבעיה נמשכת, פנה אל Dell. לקבלת מידע על פנייה אל Dell, עיין במדריך למשתמש המקוון.
① ② ③ ④	ייתכן שהתרחש כשל בכרטיס גרפי.	<ul style="list-style-type: none"> • אם המחשב מצויד בכרטיס גרפי, הסר את הכרטיס, התקן מחדש ולאחר מכן הפעל מחדש את המחשב. • אם הבעיה נמשכת, התקן כרטיס גרפי שידוע לך שהוא תקין והפעל מחדש את המחשב. • אם הבעיה נמשכת או אם המחשב מצויד בכרטיס גרפי מוכלל, פנה אל Dell. לקבלת מידע על פנייה אל Dell, עיין במדריך למשתמש המקוון.
① ② ③ ④	ייתכן שהתרחש כשל בכונן תקליטונים או קשיח.	התקן מחדש את כל כבלי החשמל והנתונים והפעל מחדש את המחשב.
① ② ③ ④	ייתכן שהתרחש כשל ב-USB.	התקן מחדש את כל התקני ה-USB, בדוק את חיבורי הכבלים ולאחר מכן הפעל מחדש את המחשב.

נורית הפעלה	תיאור הבעיה	הצעת פתרון
נורית הפעלה בירוק קבוע, ללא קוד צפצוף וללא וידיאו במהלך POST (בדיקה עצמית בהפעלה)	ייתכן שהצג או כרטיס המסך פגום או מותקן שלא כהלכה.	בדוק את נוריות האבחון כדי לראות אם מזוהה בעיה ספציפית.
נורית הפעלה בירוק קבוע וללא קוד צפצוף, אך המחשב ננעל במהלך POST (בדיקה עצמית בהפעלה)	ייתכן שהתקן לוח מערכת מוכלל אינו תקין.	בדוק את נוריות האבחון כדי לראות אם מזוהה בעיה ספציפית. אם הבעיה אינה מזוהה, פנה אל Dell לקבלת סיוע טכני. לקבלת מידע על פנייה אל Dell, עיין במדריך למשתמש המקוון.



נוריות אבחון

⚠ התראה: לפני שתחיל לבצע הליך כלשהו בסעיף זה, בצע את הוראות הבטיחות במדריך מידע המוצר.

כדי לסייע בפתרון בעיה, המחשב מצויד בארבע נוריות בלוח הקדמי או האחורי, המסומנות "1", "2", "3" ו-"4". הנוריות יכולות להיות כבויות או בצבע ירוק. כאשר המחשב עולה בצורה תקינה, התבניות או הקודים בנוריות משתנים במהלך השלמת תהליך האתחול. אם חלק ה-POST (בדיקה עצמית בהפעלה) של אתחול המערכת מושלם בהצלחה, כל ארבע הנוריות מאירות בירוק קבוע לזמן קצר ולאחר מכן כבות.

אם מתרחשת תקלה במהלך תהליך ה-POST, התבניות המוצגות בנוריות ה-LED יכולות לסייע בזיהוי המיקום בתהליך שבו המחשב נעצר. אם המחשב אינו פועל בצורה תקינה לאחר POST מוצלח, נוריות האבחון אינן מציינות את הסיבה לבעיה.

הערה: הכיוון של נוריות האבחון עשוי להשתנות בהתאם לסוג המערכת. נוריות האבחון עשויות להיות בכיוון אנכי או אופקי.

תבנית נוריות	תיאור הבעיה	הצעת פתרון
	המחשב נמצא במצב כבוי רגיל, או שהתרחש כשל קדם-BIOS.	חבר את המחשב לשקע חשמל פועל ולחץ על לחצן ההפעלה.
	נוריות האבחון אינן מאירות לאחר אתחול מוצלח של המחשב למערכת ההפעלה.	הפעל את תוכנית השירות BIOS Recovery, המתן להשלמת התאוששות ולאחר מכן הפעל מחדש את המחשב.
	ייתכן שהתרחש כשל BIOS; המחשב נמצא במצב התאוששות.	התקן מחדש את המעבד והפעל מחדש את המחשב. לקבלת מידע על התקנה מחדש של המעבד, עיין במדריך למשתמש המקוון.
	ייתכן שהתרחשה תקלה במעבד.	

4 אם הפעלת את תוכנית האבחון של Dell מהתקליטור *Drivers and Utilities* (אופציונלי), לאחר השלמת הבדיקות, הוצא את התקליטור.

5 סגור את מסך הבדיקה כדי לחזור אל המסך **Main Menu** (תפריט ראשי). כדי לצאת מתוכנית האבחון של Dell ולהפעיל מחדש את המחשב, סגור את המסך **Main Menu**.

נוריות מערכת

נורית ההפעלה עשויה לציין בעיה במחשב.

נורית הפעלה	תיאור הבעיה	הצעת פתרון
ירוק קבוע	המחשב מופעל ופועל כשורה.	לא נדרשת פעולה מתקנת.
ירוק מהבהב	המחשב נמצא במצב חיסכון בצריכת חשמל.	לחץ על לחצן ההפעלה, הזז את העכבר או לחץ על מקש במקלדת כדי "להעיר" את המחשב.
ירוק מהבהב מספר פעמים ולאחר מכן כבה	קיימת שגיאת תצורה.	כדי לבדוק אם הבעיה הספציפית מזוהה, בדוק את נוריות האבחון (ראה "נוריות אבחון" בעמוד 418).
צהוב קבוע	יתכן שהתקן בלוח המערכת פגום או מותקן בצורה שגויה, או שמתג בחירת המתח באספקת החשמל הוגדר שלא כהלכה.	כדי לבדוק אם הבעיה הספציפית מזוהה, בדוק את נוריות האבחון (ראה "נוריות אבחון" בעמוד 418). עיין בסעיף "בעיות חשמל" במדריך למשתמש המקוון.
צהוב מהבהב	התרחש כשל באספקת החשמל או בלוח מערכת.	אם המחשב אינו מאתחל, פנה אל Dell לקבלת סיוע טכני. לקבלת מידע על פנייה אל Dell, עיין במדריך למשתמש המקוון. כדי לבדוק אם הבעיה הספציפית מזוהה, בדוק את נוריות האבחון (ראה "נוריות אבחון" בעמוד 418). עיין בסעיף "בעיות חשמל" במדריך למשתמש המקוון.
ירוק קבוע וקוד צפצוף במהלך POST (בדיקה עצמית בהפעלה)	זוהתה בעיה בזמן עליית ה-BIOS.	לקבלת הוראות לגבי אבחון קוד הצפצוף, ראה "קודי צפצוף" בעמוד 420. כמו כן, בדוק את נוריות האבחון כדי לראות אם מזוהה בעיה ספציפית.

מסך Main Menu של תוכנית האבחון של Dell

1 לאחר טעינת תוכנית האבחון של Dell והופעת המסך **Main Menu** (תפריט ראשי), לחץ על הלחצן של האפשרות הרצויה.

אפשרות	פעולה
Express Test (בדיקה מהירה)	ביצוע בדיקה מהירה של התקנים. בדיקה זו נמשכת בדרך כלל בין 10 ל- 20 דקות ואינה דורשת את התערבותך. הפעל את Express Test תחילה כדי לאתר את הבעיה במהירות.
Extended Test (בדיקה מורחבת)	ביצוע בדיקה מקיפה של התקנים. בדיקה זו נמשכת בדרך כלל שעה או יותר ומחייבת אותך לענות על שאלות מדי פעם.
Custom Test (בדיקה מותאמת אישית)	בדיקת התקן מסוים. באפשרותך להתאים אישית את הבדיקות שברצונך לבצע.
Symptom Tree (עץ תסמינים)	אפשרות זו מפרטת את התסמינים הנפוצים ביותר ומאפשרת לבחור בדיקה בהתאם לתסמין של הבעיה שבה נתקלת.

2 אם במהלך בדיקה המערכת נתקלת בבעיה, מופיעה הודעה עם קוד השגיאה ותיאור הבעיה. העתק את קוד השגיאה ואת תיאור הבעיה ופעל לפי ההוראות המופיעות על המסך.

אם אין באפשרותך לפתור את מצב הבעיה, פנה אל Dell. לקבלת מידע על פנייה אל Dell, עיין במדריך למשתמש המקוון.

 **הערה:** תג השירות של המחשב מוצג בחלק העליון של כל מסך בדיקה. אם תפנה אל Dell, בתמיכה הטכנית יבקשו ממך את תג השירות.

3 אם אתה מבצע בדיקה מהאפשרות **Custom Test** או **Symptom Tree**, לחץ על הכרטיסייה המתאימה המתוארת בטבלה הבאה לקבלת מידע נוסף.

כרטיסייה	פעולה
Results (תוצאות)	הצגת תוצאות הבדיקה ומצבי שגיאה שבהם נתקלה המערכת.
Errors (שגיאות)	הצגת מצבי שגיאה שבהם נתקלה המערכת, קודי שגיאה ותיאורי הבעיות.
Help (עזרה)	תיאור הבדיקה וציון הדרישות לביצוע הבדיקה.
Configuration (הגדרת תצורה)	הצגת הגדרת התצורה של המערכת עבור ההתקן שנבחר. תוכנית האבחון של Dell מקבלת את מידע התצורה עבור כל ההתקנים מהגדרת המערכת, מהזיכרון וממספר בדיקות פנימיות, ומציגה את המידע ברשימת ההתקנים בחלונית השמאלית במסך. ייתכן שברשימת ההתקנים לא יוצגו שמותיהם של כל הרכיבים המותקנים במחשב או של כל ההתקנים המחוברים למחשב.
Parameters (פרמטרים)	באפשרותך להתאים אישית את הבדיקה על-ידי שינוי הגדרות הבדיקה.


היכנס להגדרות המערכת (לקבלת הוראות, ראה "הגדרת המערכת" במדריך למשתמש המקוון), עיין במידע התצורה של המחשב וודא שההתקן שברצונך לבדוק מוצג בהגדרות המערכת ופעיל.

הפעל את תוכנית האבחון של Dell מהכונן הקשיח או מהתקליטור האופציונלי *Drivers and Utilities* (מנהלי התקנים ותוכניות שירות) (*ResourceCD*).

הפעלת תוכנית האבחון של Dell מהכונן הקשיח

1 הפעל (או הפעל מחדש) את המחשב.

2 כאשר מופיע הלוגו DELL, הקש מייד על <F12>.

 **הערה:** אם מוצגת הודעה שהמחיצה של תוכנית האבחון לא נמצאה, הפעל את תוכנית האבחון של Dell מהתקליטור האופציונלי *Drivers and Utilities* (מנהלי התקנים ותוכניות שירות) (ראה "הפעלת תוכנית האבחון של Dell מהתקליטור *Drivers and Utilities*" בעמוד 415).

אם אתה ממתין זמן רב מדי והלוגו של מערכת ההפעלה מופיע, המשך להמתין עד אשר יופיע שולחן העבודה של Microsoft® Windows®. לאחר מכן כבה את המחשב ונסה שוב.

כאשר רשימת ההתקנים של האתחול מופיעה, בחר **Boot to Utility Partition** (אתחול למחיצת תוכנית האבחון) והקש <Enter>.

3 כשהמסך **Main Menu** (תפריט ראשי) של תוכנית האבחון של Dell מופיע, בחר את הבדיקה שברצונך להפעיל.

הפעלת תוכנית האבחון של Dell מהתקליטור *Drivers and Utilities*

1 הכנס את התקליטור *Drivers and Utilities* (מנהלי התקנים ותוכניות שירות).

2 כבה והפעל מחדש את המחשב.

כאשר מופיע הלוגו DELL, הקש מייד על <F12>.

אם אתה ממתין זמן רב מדי והלוגו של מערכת ההפעלה מופיע, המשך להמתין עד אשר יופיע שולחן העבודה של Microsoft Windows. לאחר מכן כבה את המחשב ונסה שוב.

 **הערה:** השלבים הבאים משנים את רצף האתחול באופן חד פעמי בלבד. בהפעלה הבאה, המחשב יאתחל בהתאם להתקנים שצוינו בהגדרת המערכת.

3 כאשר רשימת ההתקנים של האתחול מופיעה, האר את אפשרות כונן ה- CD/DVD והקש <Enter>.

4 בחר באפשרות כונן ה- CD/DVD מתפריט האתחול של התקליטור.

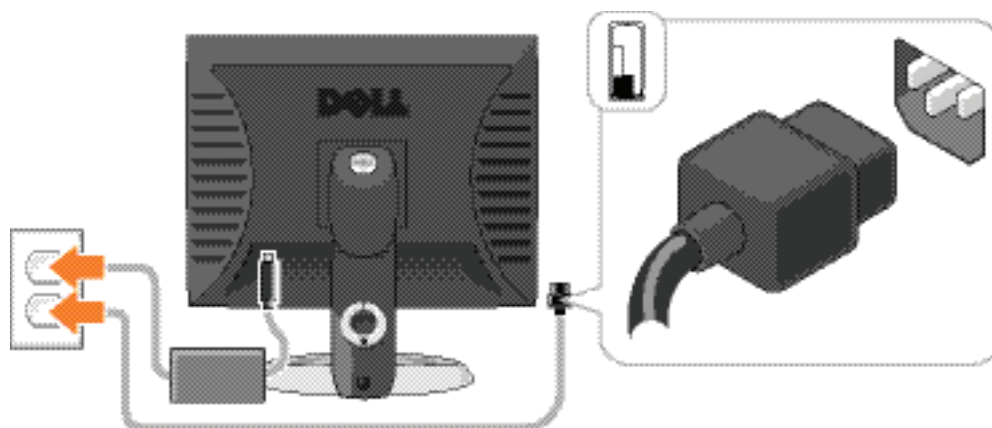
5 בתפריט שמופיע, בחר באפשרות לאתחול מכונן ה- CD/DVD.

6 הקש 1 כדי להפעיל את תפריט התקליטור *Drivers and Utilities*.

7 הקש 2 כדי להפעיל את תוכנית האבחון של Dell.

8 בחר **Run the 32 Bit Dell Diagnostics** מהרשימה הממוספרת. אם רשומת מספר גרסאות, בחר את הגרסה המתאימה למחשב שברשותך.

9 כשהמסך **Main Menu** (תפריט ראשי) של תוכנית האבחון של Dell מופיע, בחר את הבדיקה שברצונך להפעיל.



פתרון בעיות

Dell מספקת מספר כלים כדי לסייע לך במקרה שהמחשב אינו פועל כצפוי. לקבלת המידע העדכני ביותר לפתרון בעיות עבור המחשב שברשותך, עיין באתר התמיכה של Dell בכתובת support.dell.com.

אם מתרחשות בעיות במחשב הדורשות סיוע מ-Dell, כתוב תיאור מפורט של השגיאה, קודי צפצוף או תבניות נוריות אבחון, ורשום את קוד השירות המהיר ותג השירות להלן. לאחר מכן, פנה אל Dell מאותו מקום שבו נמצא המחשב. לקבלת מידע על פנייה אל Dell, עיין במדריך למשתמש המקוון.

לקבלת דוגמה לקוד השירות המהיר ותג השירות, ראה "איתור מידע" במדריך למשתמש של המחשב.

קוד שירות מהיר: _____

תג שירות: _____

תוכנית האבחון של Dell

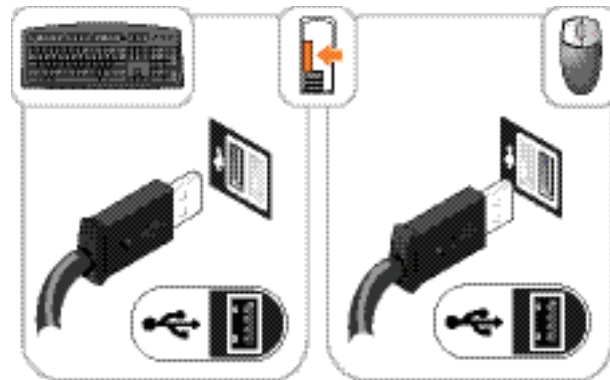
⚠ התראה: לפני שתחיל לבצע הליך כלשהו בסעיף זה, בצע את הוראות הבטיחות במדריך מידע המוצר.

מתי להשתמש בתוכנית האבחון של Dell

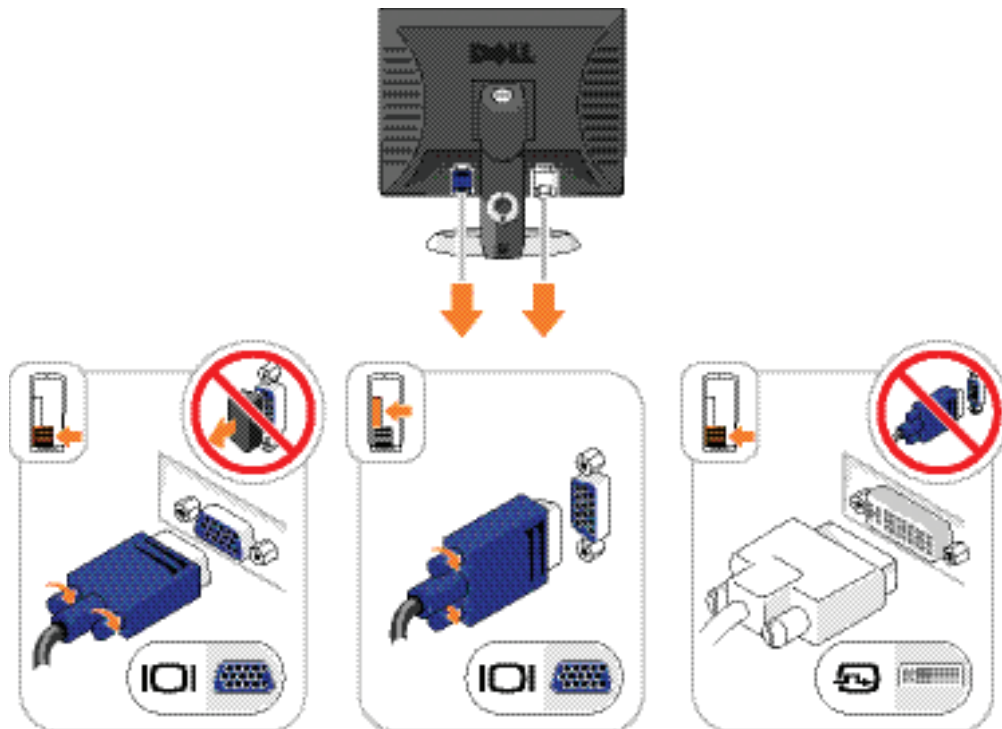
אם נתקלת בבעיה במחשב, בצע את הבדיקות שבסעיף "פתרון בעיות" במדריך למשתמש המקוון והפעל את תוכנית האבחון של Dell, לפני שתפנה אל Dell בבקשה לסיוע טכני. לקבלת מידע על פנייה אל Dell, עיין במדריך למשתמש המקוון.


🔗 **שים לב:** תוכנית האבחון של Dell פועלת רק במחשבי Dell™.

התקנת המקלדת והעכבר




התקנת הצג



 **הערה:** לפני התקנת התקנים או תוכנות שלא נלוו למחשב, קרא את התיעוד המצורף להתקן או לתוכנה, או פנה לספק, כדי לוודא שההתקן או התוכנה תואמים למחשב ולמערכת ההפעלה.

על מנת להתקין את המחשב כראוי, עליך להשלים את כל השלבים. עיין באיורים המתאימים המלווים את ההוראות.

 **שים לב:** אל תנסה להפעיל עכבר PS/2 ו-USB בו-זמנית.

1 חבר את המקלדת ואת העכבר.

 **שים לב:** אל תחבר כבל מודם למחבר מתאם הרשת. מתח מקו הטלפון עלול לגרום נזק למתאם הרשת.

2 חבר את כבל המודם או הרשת.

הכנס את כבל הרשת, לא את חוט הטלפון, למחבר הרשת. אם מותקן מודם אופציונלי, חבר את חוט הטלפון למודם.


3 חבר את הצג.


יישר והכנס בעדינות את כבל הצג; הימנע מלכופף את הפינים של המחבר. הדק את בורגי הכנף במחברי הכבל.

 **הערה:** בחלק מהצגים, מחבר הווידיאו ממוקם מתחת למסך. לאיתור המחבר, עיין בתיעוד המצורף לצג.

4 חבר את הרמקולים.

5 חבר את כבלי החשמל למחשב, לצג ולהתקנים וחבר את הקצה השני של כבלי החשמל לשקעי חשמל.

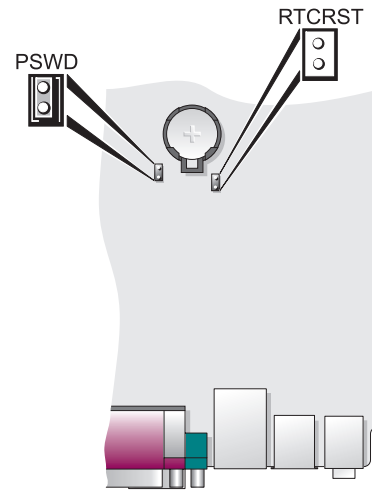
 **שים לב:** כדי למנוע נזק למחשב עם מתג בחירת מתח ידני, קבע את המתג למתח הקרוב ביותר למתח החילופין הזמין במקום.

 **שים לב:** ביפן, יש לכוון את מתג בחירת המתח למצב 115 וולט, למרות שהמתח הזמין ביפן הוא 100 וולט.

6 ודא שמתג בחירת המתח מוגדר בהתאם למתח במקום.

המחשב מצויד במתג בחירת מתח ידני. מחשבים המצוידים במתג בחירת מתח בלוח האחורי יש לכוון ידנית למתח הפעולה המתאים.

הגדרות מגשר



מגשר	הגדרה	תיאור
PSWD		תכונות סיסמה מופעלות (הגדרת ברירת המחדל). תכונות סיסמה מבוטלות.
RTCRST		שעון זמן אמת לא עבר איפוס.
		שעון זמן אמת עובר איפוס (מגושר זמנית).
	מגושר	לא מגושר

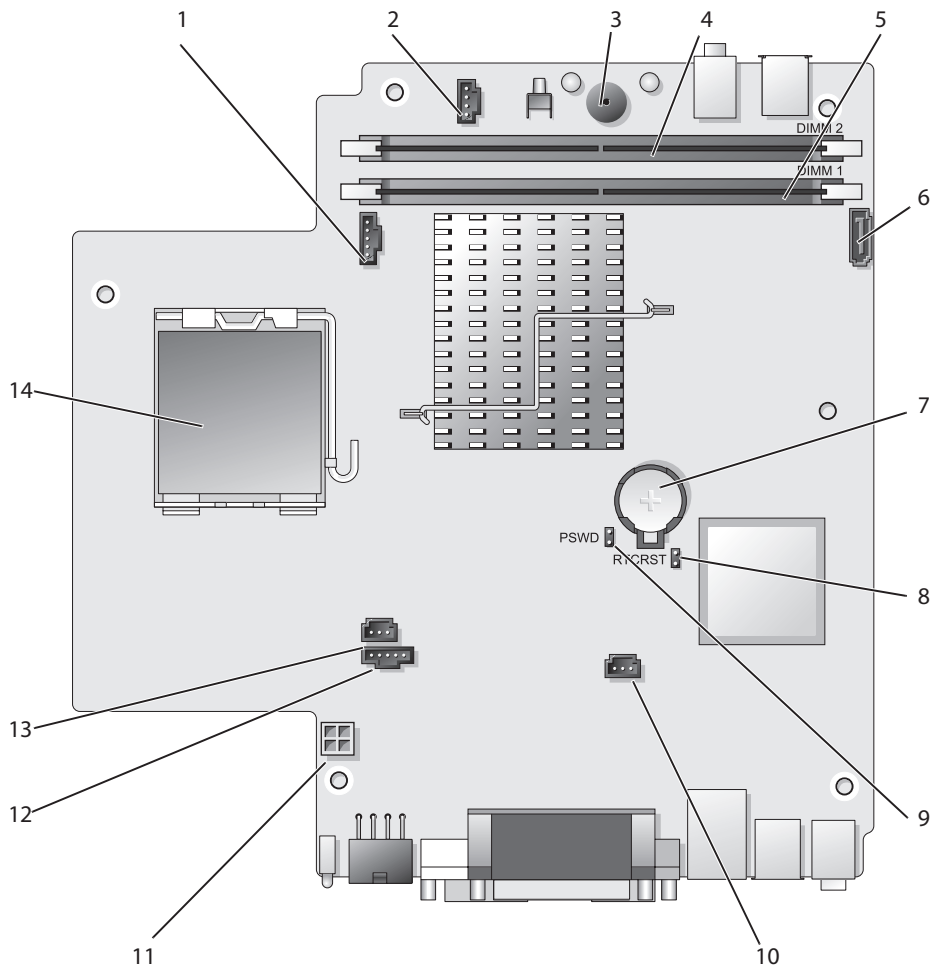
התקנת המחשב

התראה: לפני שתבצע הליך כלשהו בסעיף זה, בצע את הוראות הבטיחות במדריך מידע המוצר.






שים לב: אם במחשב מותקן כרטיס הרחבה (כגון כרטיס מודם), חבר את הכבל המתאים לכרטיס, לא למחבר שבלוח האחורי.

שים לב: כדי לסייע בשמירה על טמפרטורת הפעלה מתאימה של המחשב, הקפד לא להניח את המחשב קרוב מדי לקיר או לתא אחסון אחר, שעשוי למנוע זרימת אוויר סביב התושבת. לקבלת מידע נוסף, עיין במדריך מידע המוצר.

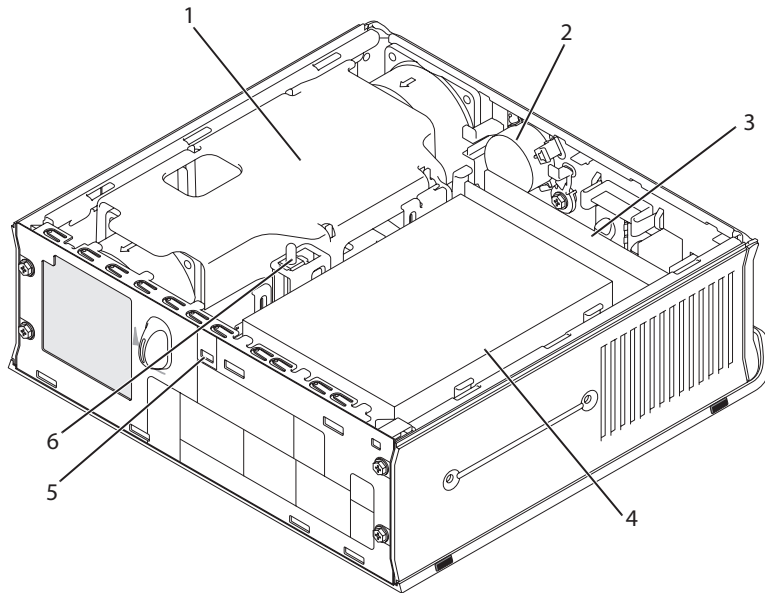
רכיבי לוח מערכת



מגשר איפוס CMOS (RTCRST)	8	מחבר מאוורר (FAN_FRONT)	1
מגשר סיסמה (PSWD)	9	מחבר רמקולים פנימי (INT_SPKR)	2
מחבר מאוורר כונן קשיח (FAN_HDD)	10	רמקול לוח מערכת (BEEP)	3
מחבר חשמל לכונן קשיח (SATA_PWR)	11	מחבר זיכרון ערוץ B (DIMM_2)	4
מחבר מאוורר (FAN_REAR)	12	מחבר זיכרון ערוץ A (DIMM_1)	5
מחבר מתג כניסה (INTRUDER)	13	מחבר כבל נתונים SATA (SATA0)	6
מעבד (CPU)	14	סוללה (BATT)	7

מגשר	הגדרה	תיאור
PSWD		תכונות סיסמה מופעלות (הגדרת ברירת המחדל). תכונות סיסמה מבוטלות.
RTCRST		שעון זמן אמת לא עבר איפוס.
		שעון זמן אמת עובר איפוס (מגושר זמנית).
מגושר		לא מגושר
לא מגושר		

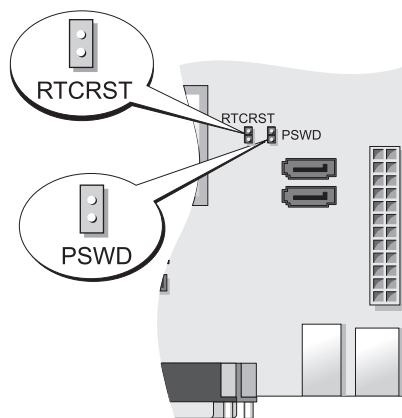
מחשב Form Factor קטן מאוד



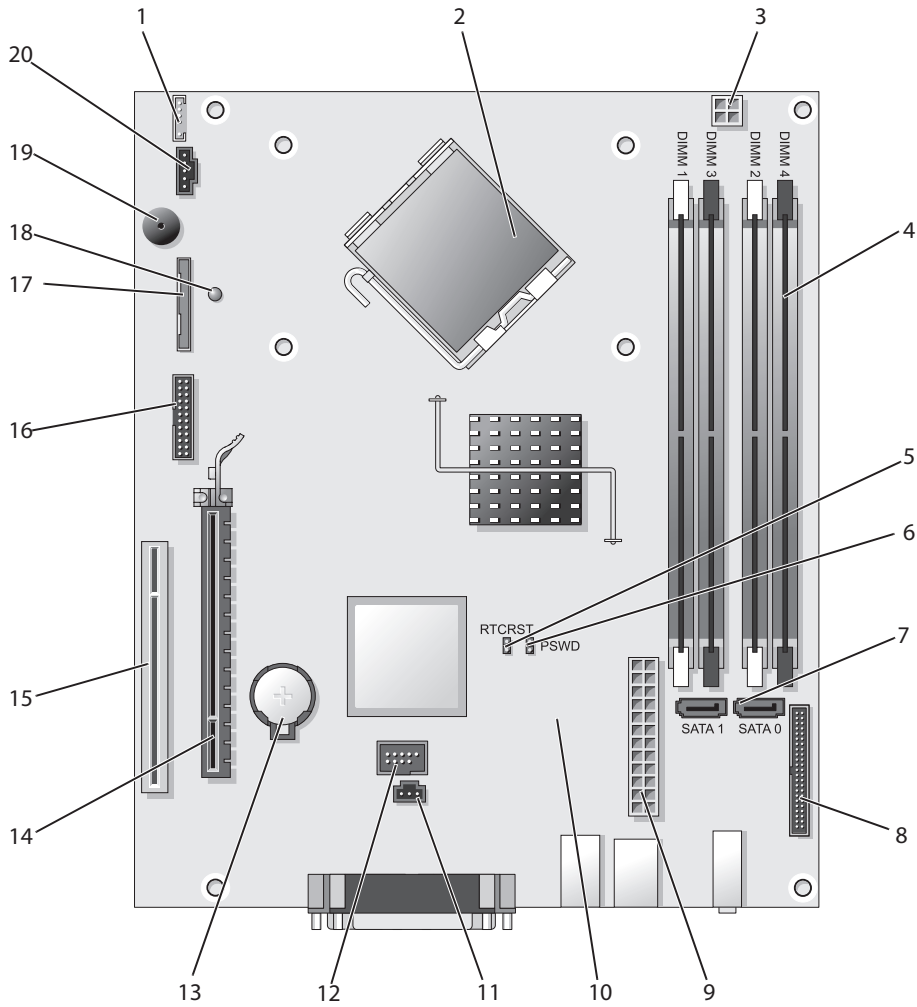
- | | | | | | |
|---|---------------------------------|---|-------------------|---|-------------------|
| 1 | מכלול מעטה מאורר/גוף מונע חימום | 2 | רמקול (אופציונלי) | 3 | מודולי זיכרון (2) |
| 4 | כונן קשיח | 5 | חריץ כבל אבטחה | 6 | מתג כניסה לתושבת |

11	מחבר מתג כניסה (INTRUDER)	1	מחבר רמקולים פנימי (INT_SPKR)
12	מחבר USB פנימי (USB)	2	מחבר מעבד (CPU)
13	שקע סוללה (BATT)	3	מחבר חשמל למעבד (12VPOWER)
14	מחבר PCI Express x16 (SLOT1)	4	מחברי מודול זיכרון (DIMM_1, DIMM_2, DIMM_3, DIMM_4)
15	מחבר PCI (SLOT2)	5	מגשר איפוס RTC (RTCRST)
16	מחבר טורי (SER2)	6	מגשר סיסמה (PSWD)
17	מחבר כונן תקליטונים (DSKT)	7	מחברי SATA (SATA0, SATA1)
18	flea power	8	מחבר הלוח הקדמי (FNT_PANEL)
19	רמקול לוח מערכת (BEEP)	9	מחבר חשמל (POWER)
20	מחבר מאוורר (FAN)	10	מחבר מאוורר (FAN2)

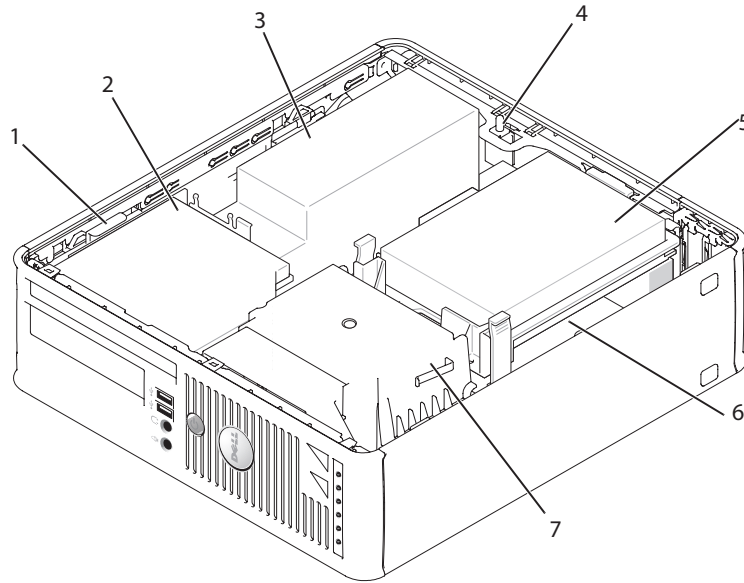
הגדרות מגשר



רכיבי לוח מערכת



מחשב Form Factor קטן



3 אספקת חשמל ומאוורר

6 לוח מערכת

2 כונן אופטי

5 כונן קשיח

1 תפס שחרור כונן

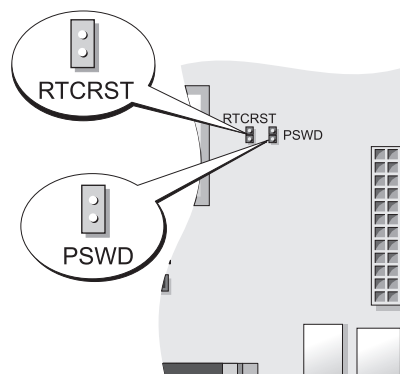
4 מתג כניסה לתושבת

אופציונלי

7 מכלול גוף מונע חימום ומפוח

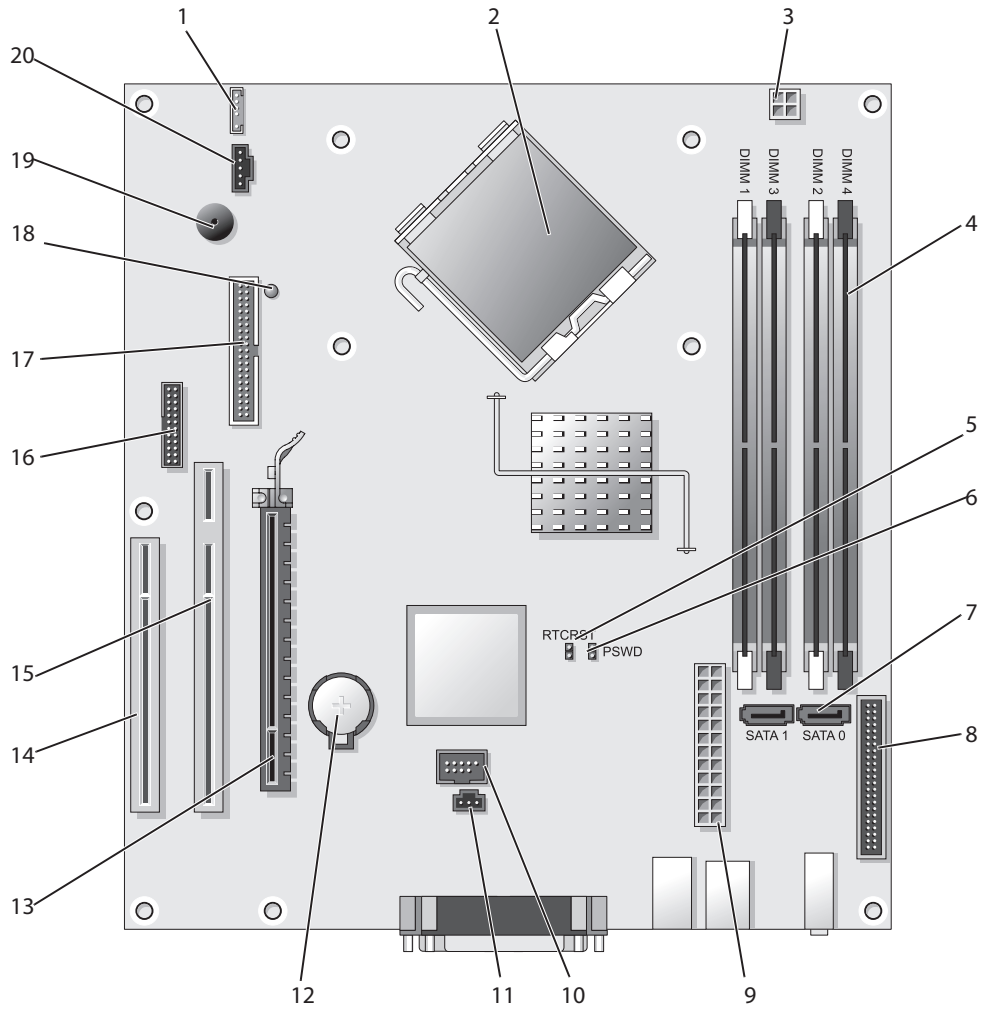
11	מחבר מתג כניסה (INTRUDER)	1	רמקול פנימי (INT_SPKR)
12	שקע סוללה (BATT)	2	מחבר מעבד (CPU)
13	מחבר PCI Express x16 (SLOT1)	3	מחבר חשמל למעבד (12VPOWER)
14	מחבר PCI (SLOT3)	4	מחברי מודול זיכרון (DIMM_1, DIMM_2, DIMM_3, DIMM_4)
15	מחבר PCI (SLOT2)	5	מגשר איפוס RTC (RTCRST)
16	מחבר טורי (SER2)	6	מגשר סיסמה (PSWD)
17	מחבר כונן תקליטונים (DSKT)	7	מחברי SATA (SATA0, SATA1)
18	flea power	8	מחבר הלוח הקדמי (FNT_PANEL)
19	רמקול לוח מערכת (BEEP)	9	מחבר חשמל (POWER)
20	מחבר מאוורר (FAN)	10	USB פנימי (INTERNAL_USB)





הגדרות מגשר



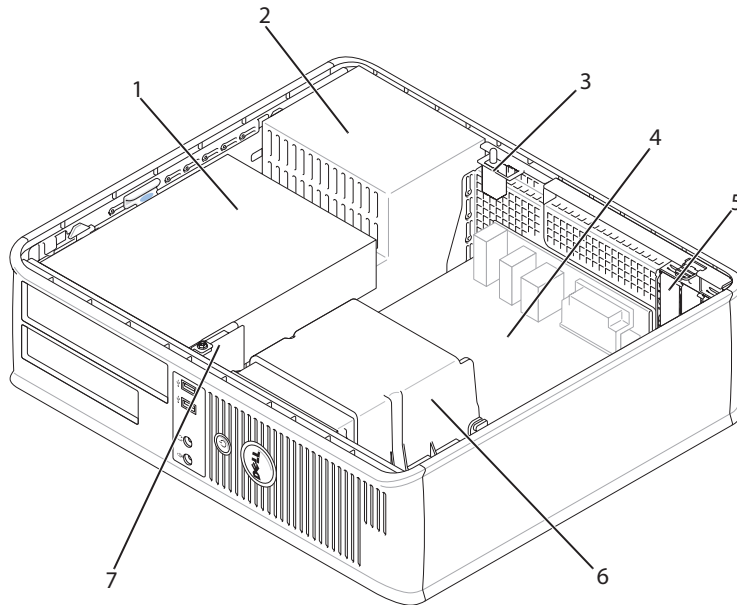
מגשר	הגדרה	תיאור
PSWD		תכונות סיסמה מופעלות (הגדרת ברירת המחדל). תכונות סיסמה מבוטלות.
RTCRST		שעון זמן אמת לא עבר איפוס.
		שעון זמן אמת עובר איפוס (מגושר זמנית).
מגושר		לא מגושר

רכיבי לוח מערכת



מגשר	הגדרה	תיאור
PSWD		תכונות סיסמה מופעלות (הגדרת ברירת המחדל). תכונות סיסמה מבוטלות.
RTCRST		שעון זמן אמת לא עבר איפוס.
		שעון זמן אמת עובר איפוס (מגושר זמנית).
מגושר 	לא מגושר 	

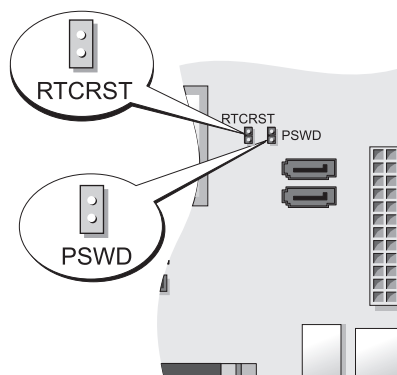
מחשב שולחני



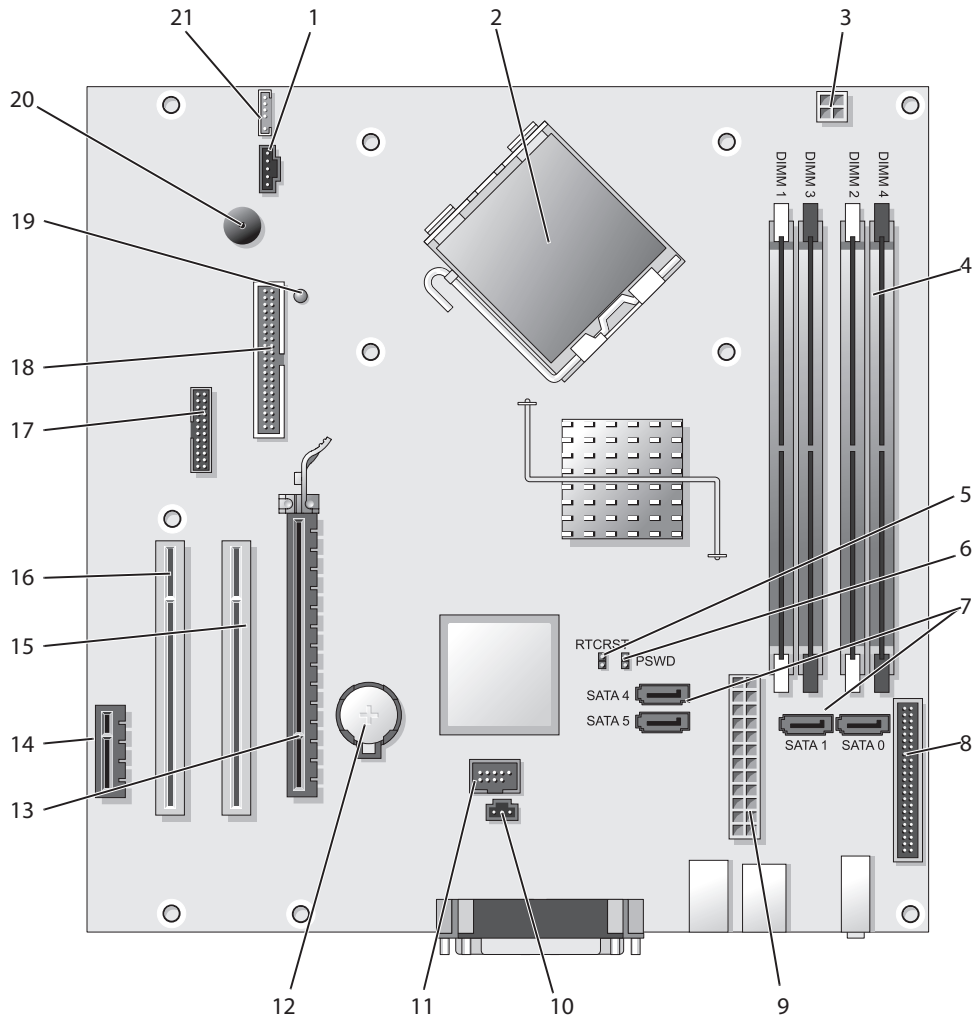
- | | | | | | |
|---|--|---|---------------|---|----------------------------|
| 1 | תאי כונן (קורא כרטיסי מדיה או כונן תקליטונים, כונן אופטי וכונן קשיח) | 2 | אספקת חשמל | 3 | מתג כניסה לתושבת אופציונלי |
| 4 | לוח מערכת | 5 | חריצי כרטיסים | 6 | מכלול גוף מונע חימום |
| 7 | לוח קלט/פלט (I/O) קדמי | | | | |

שקע סוללה (BATT)	12	מחבר מאוורר (FAN)	1
מחבר PCI Express x16 (SLOT1)	13	מחבר מעבד (CPU)	2
מחבר PCI Express x1 (SLOT4)	14	מחבר חשמל למעבד (12VPOWER)	3
מחבר PCI (SLOT2)	15	מחברי מודול זיכרון (DIMM_1, DIMM_2, DIMM_3, DIMM_4)	4
מחבר PCI (SLOT3)	16	מגשר איפוס RTC (RTCRST)	5
מחבר טורי (SER2)	17	מגשר סיסמה (PSWD)	6
מחבר כונן תקליטונים (DSKT)	18	מחברי כונן SATA (SATA0, SATA1, SATA4, SATA5)	7
flea power	19	מחבר הלוח הקדמי (FNT_PANEL)	8
רמקול לוח מערכת (BEEP)	20	מחבר חשמל (POWER)	9
מחבר רמקולים (INT_SPKR)	21	מחבר מתג כניסה (INTRUDER)	10
		USB פנימי (INTERNAL_USB)	11

הגדרות מגשר

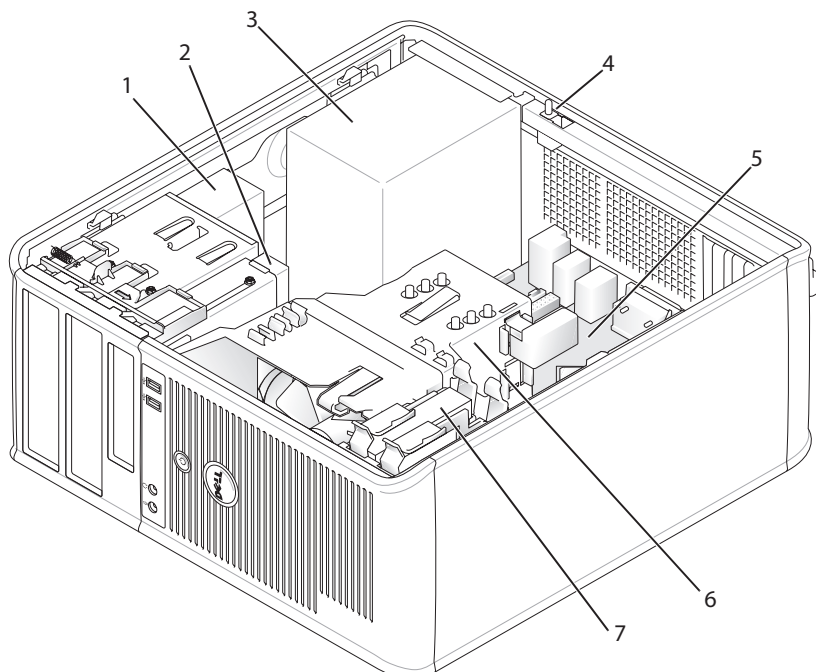


רכיבי לוח מערכת



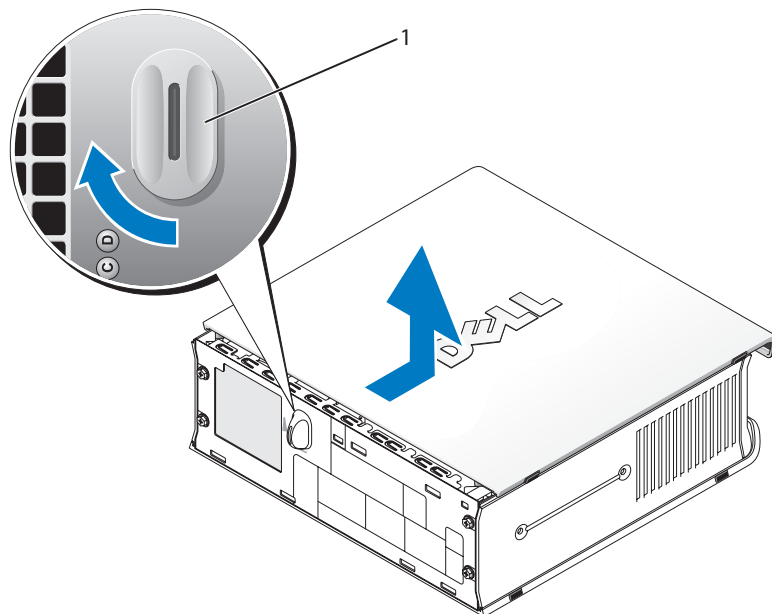
בתוך המחשב

מחשב Mini Tower



- | | | | | | |
|---|----------------------------|---|------------------------------------|---|----------------------|
| 1 | כונן אופטי | 2 | כונן תקליטונים או קורא כרטיסי מדיה | 3 | אספקת חשמל |
| 4 | מתג כניסה לתושבת אופציונלי | 5 | לוח מערכת | 6 | מכלול גוף מונע חימום |
| 7 | כונן קשיח | | | | |

⚠ התראה: גופי הקירור של כרטיסים גרפיים עשויים להתחמם מאוד במהלך הפעלה רגילה. ודא שלגופי הקירור של הכרטיס הגרפי יהיה מספיק זמן להתקרר לפני שתיגע בו.



1 כפתור שחרור

מחשב Form Factor קטן מאוד

⚠ התראה: לפני שתתחיל לבצע הליך כלשהו בסעיף זה, בצע את הוראות הבטיחות במדריך מידע המוצר.

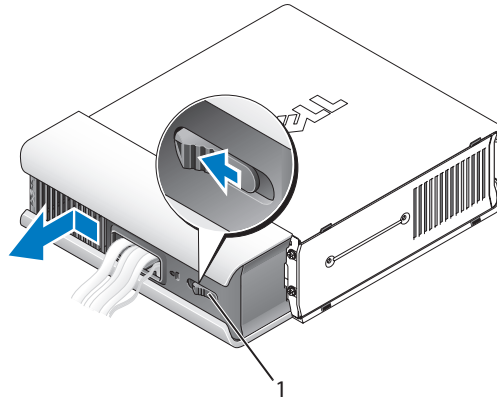
⚠ התראה: כדי למנוע התחשמלות, נתק תמיד את המחשב משקע החשמל לפני הסרת מכסה המחשב.

1 בצע את ההליכים בסעיף "לפני שתתחיל" בעמוד 393.

⬅ שים לב: לפני נגיעה ברכיבים בתוך המחשב, גע במשטח מתכת לא צבוע, כדי לפרוק מעצמך חשמל סטטי. במהלך העבודה, גע מדי פעם במשטח מתכת לא צבוע כדי לפרוק כל חשמל סטטי, העלול לפגוע ברכיבים פנימיים.

2 אם ישים, הסר את כיסוי הכבלים.

a אם מותקן התקן אבטחה בהריץ כבל האבטחה, הסר את ההתקן.



1 לחצן שחרור

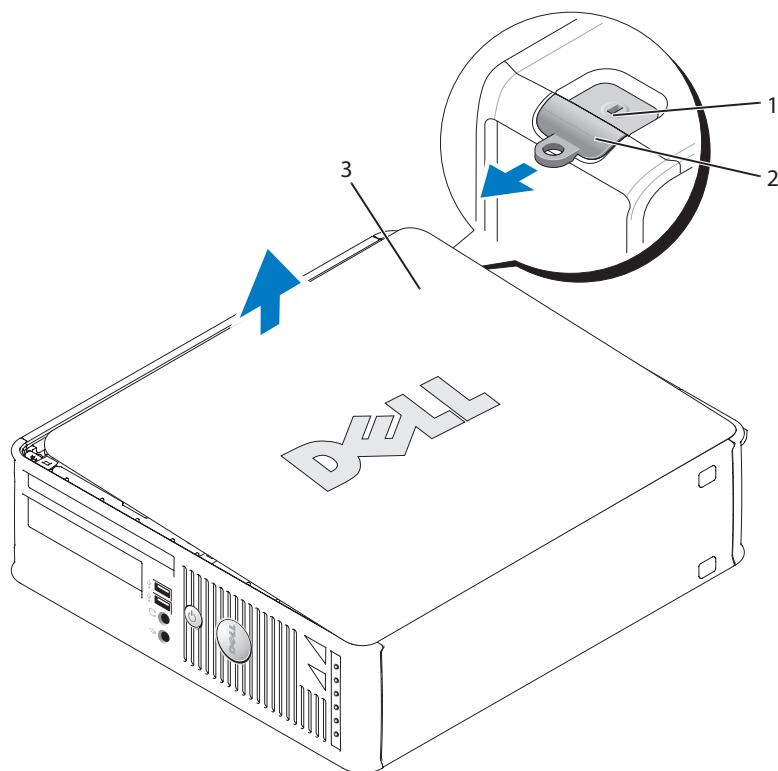
a לחץ על לחצן השחרור, אחוזו בכיסוי הכבלים והסט את הכיסוי שמאלה עד שיעצור. לאחר מכן הרם את כיסוי הכבלים כלפי מעלה והסר אותו.

3 הסר את מכסה המחשב:

a טובב את כפתור שחרור המכסה בכיוון השעון, כפי שמוצג באיור.

b החלק את מכסה המחשב לפנים כ- 1 ס"מ (½ אינץ'), או עד שייעצר, ולאחר מכן הרם את המכסה.

- 1 בצע את ההליכים בסעיף "לפני שתתחיל" בעמוד 393.
 - 2 אם התקנת מנעול בטבעת המנעול בלוח האחורי, הסר את המנעול.
 - 3 אתר את תפס שחרור המכסה המוצג באיור. לאחר מכן, הסט את תפס השחרור לאחור, תוך הרמת המכסה.
 - 4 אחוז בצדי מכסה המחשב וסובב את המכסה כלפי מעלה, כאשר לשוניות הצירים התחתונות משמשות כנקודות מנוף.
 - 5 הסר את המכסה מלשוניות הצירים והנח אותו בצד על משטח רך.
- ⚠ התראה:** גופי הקירור של כרטיסים גרפיים עשויים להתחמם מאוד במהלך הפעלה רגילה. ודא שלגופי הקירור של הכרטיס הגרפי היה מספיק זמן להתקרר לפני שתיגע בו.



3 מכסה מחשב

2 תפס שחרור מכסה

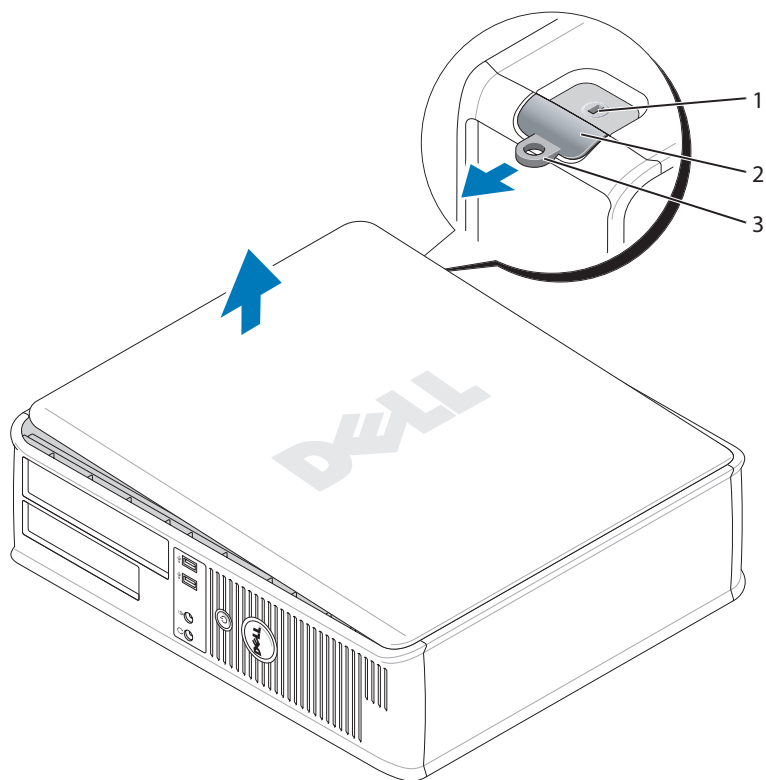
1 חריץ כבל אבטחה

3 אתר את תפס שחרור המכסה המוצג באיור. לאחר מכן, הסט את תפס השחרור לאחור, תוך הרמת המכסה.

4 אחוז בצדי מכסה המחשב וסובב את המכסה כלפי מעלה, כאשר לשוניות הצירים משמשות כנקודות מנוף.

5 הסר את המכסה מלשוניות הצירים והנח אותו בצד על משטח רך.

⚠ התראה: גופי הקירור של כרטיסים גרפיים עשויים להתחמם מאוד במהלך הפעלה רגילה. ודא שלגופי הקירור של הכרטיס הגרפי היה מספיק זמן להתקרר לפני שתיגע בו.



3 טבעת של מנעול תליה

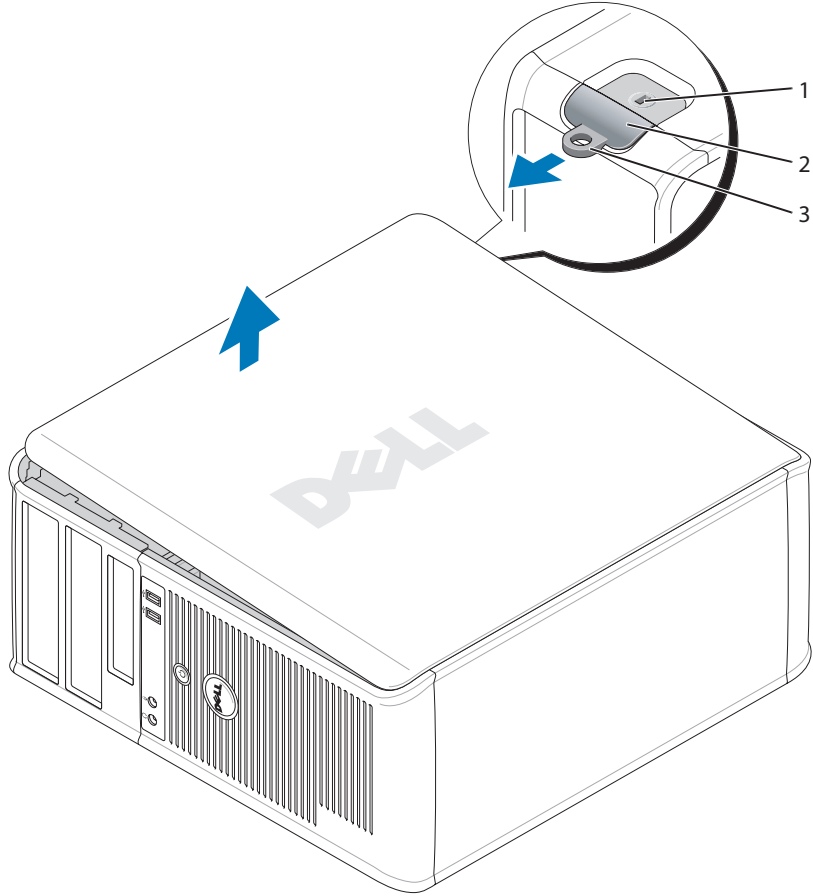
2 תפס שחרור מכסה

1 חריץ כבל אבטחה

מחשב Form Factor קטן

⚠ התראה: לפני שתחיל לבצע הליך כלשהו בסעיף זה, בצע את הוראות הבטיחות במדריך מידע המוצר.

⚠ התראה: כדי למנוע התחשמלות, נתק תמיד את המחשב משקע החשמל לפני הסרת מכסה המחשב.



3 טבעת של מנעול תליה

2 תפס שחרור מכסה

1 חריץ כבל אבטחה

מחשב שולחני

⚠ התראה: לפני שתתחיל לבצע הליך כלשהו בסעיף זה, בצע את הוראות הבטיחות במדריך מידע המוצר.

⚠ התראה: כדי למנוע התחשמלות, נתק תמיד את המחשב משקע החשמל לפני הסרת מכסה המחשב.

1 בצע את ההליכים בסעיף "לפני שתתחיל" בעמוד 393.

2 אם התקנת מנעול בטבעת המנעול בלוח האחורי, הסר את המנעול.

5 הסר את מכסה המחשב:

- הסר את מכסה מחשב ה-Mini Tower (ראה "מחשב Mini Tower" בעמוד 394).
 - הסר את מכסה המחשב השולחני (ראה "מחשב שולחני" בעמוד 395).
 - הסר את מכסה מחשב ה-Form Factor הקטן (ראה "מחשב Form Factor קטן" בעמוד 396).
 - הסר את מכסה מחשב ה-Form Factor הקטן מאוד (ראה "מחשב Form Factor קטן מאוד" בעמוד 398).
- שים לב:** לפני נגיעה ברכיבים בתוך המחשב, גע במשטח מתכת לא צבוע, כגון המתכת בגב המחשב, כדי לפרוק מעצמך חשמל סטטי. במהלך העבודה, גע מדי פעם במשטח מתכת לא צבוע כדי לפרוק כל חשמל סטטי, העלול לפגוע ברכיבים פנימיים.

מחשב Mini Tower

⚠ התראה: לפני שתתחיל לבצע הליך כלשהו בסעיף זה, בצע את הוראות הבטיחות במדריך מידע המוצר.

⚠ התראה: כדי למנוע התחשמלות, נתק תמיד את המחשב משקע החשמל לפני הסרת מכסה המחשב.

- 1 בצע את ההליכים בסעיף "לפני שתתחיל" בעמוד 393.
 - 2 הנה את המחשב על צדו כמוצג באיור.
 - 3 אתר את תפס שחרור המכסה המוצג באיור. לאחר מכן, הסט את תפס השחרור לאחור, תוך הרמת המכסה.
 - 4 אחוז בצדי מכסה המחשב וסובב את המכסה כלפי מעלה, כאשר לשוניות הצירים משמשות כנקודות מנוף.
 - 5 הסר את המכסה מלשוניות הצירים והנח אותו בצד על משטח רך.
- ⚠ התראה:** גופי הקירור של כרטיסים גרפיים עשויים להתחמם מאוד במהלך הפעלה רגילה. ודא שלגופי הקירור של הכרטיס הגרפי היה מספיק זמן להתקרר לפני שתיגע בו.

לפני שתתחיל

שים לב: אם במחשב מותקן כרטיס הרחבה (כגון כרטיס מודם), חבר את הכבל המתאים לכרטיס, לא למחבר שבלוח האחורי.

1 כבה את מערכת ההפעלה:

a שמור וסגור את כל הקבצים הפתוחים, צא מכל התוכניות הפתוחות, לחץ על הלחצן **Start** (התחל) ולאחר מכן לחץ על **Turn Off Computer** (כבה מחשב).

b בחלון **Turn off computer** (כיבוי המחשב), לחץ על **Turn Off** (כבה). המחשב כבה עם סיום תהליך הכיבוי של מערכת ההפעלה.

2 ודא שהמחשב וההתקנים המחוברים כבויים. אם המחשב וההתקנים המחוברים לא כבו אוטומטית בעת כיבוי מערכת ההפעלה, כבה אותם כעת.

לפני עבודה בתוך גוף המחשב

השתמש בהנחיות הבטיחות הבאות כדי לסייע בהגנה על המחשב מפני נזק אפשרי וכדי לסייע בהבטחת בטיחותך האישית.

התראה: לפני שתתחיל לבצע הליך כלשהו בסעיף זה, בצע את הוראות הבטיחות במדריך מידע המוצר.

התראה: טפל ברכיבים ובכרטיסים בזהירות. אל תיגע ברכיבים או במגעים בכרטיס. החזק כרטיס בשוליו או בכך ההרכבה ממתכת. יש לאחוז ברכיבים, כגון מעבד, בקצוות ולא בפנינים.

שים לב: תיקונים במחשב יבוצעו על-ידי טכנאי שירות מוסמך בלבד. האחריות אינה מכסה נזק שייגרם עקב טיפול שאינו מאושר על-ידי Dell.

שים לב: בעת ניתוק כבל, יש למשוך את המחבר או את לולאת שחרור המתיחה שלו ולא את הכבל עצמו. כבלים מסוימים מצוידים במחברים עם לשוניות נעילה; בעת ניתוק כבל מסוג זה, לחץ על לשוניות הנעילה לפני ניתוק הכבל. בעת משיכת מחברים החוצה, החזק אותם ישר כדי למנוע כיפוף של הפינים שלהם. נוסף על כך, לפני חיבור כבל, ודא ששני המחברים מכוונים ומיושרים כהלכה.

כדי למנוע נזק למחשב, בצע את השלבים הבאים לפני תחילת העבודה בתוך המחשב.

1 כבה את המחשב.

שים לב: כדי לנתק כבל רשת, תחילה נתק את הכבל מהמחשב ולאחר מכן נתק אותו מהשקע בקיר.

2 נתק מהמחשב קווי טלפון או תקשורת.

3 נתק משקעי החשמל את המחשב ואת כל ההתקנים המחוברים ולאחר מכן לחץ על לחצן ההפעלה כדי להאריך את לוח המערכת.

4 אם ישים, הסר את מעמד המחשב (לקבלת הוראות, עיין בתיעוד המצורף למעמד).

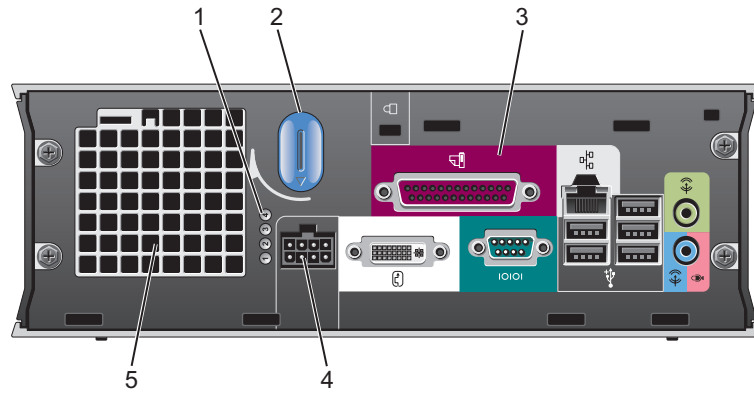
התראה: כדי למנוע התחשמלות, נתק תמיד את המחשב משקע החשמל לפני הסרת המכסה.

2	נורית תקינות קישור	<ul style="list-style-type: none"> • ירוק — קיים חיבור טוב בין רשת 10-Mbps לבין המחשב. • כתום — קיים חיבור טוב בין רשת 100-Mbps לבין המחשב. • צהוב — קיים חיבור טוב בין רשת 1000-Mbps (1-Gbps) לבין המחשב. • כבוי — המחשב אינו מזהה חיבור פיזי לרשת, או שבקר הרשת כבוי בהגדרת המערכת.
3	מתאם רשת	<p>כדי לחבר את המחשב לרשת או להתקן פס-רחב, חבר קצה אחד של כבל הרשת לשקע רשת או להתקן הרשת או הפס-הרחב. חבר את הקצה השני של כבל הרשת למחבר מתאם הרשת בלוח האחורי של המחשב. צליל נקישה מציין שכבל הרשת חובר כהלכה.</p> <p>הערה: אל תחבר כבל טלפון למחבר הרשת.</p> <p>במחשבים עם כרטיס מחבר רשת, השתמש במחבר שעל הכרטיס.</p> <p>מומליץ להשתמש בחיווט ובמחברים מקטגוריה 5 עבור הרשת. אם עליך להשתמש בחיווט מקטגוריה 3, אכוף מהירות רשת של 10 Mbps כדי להבטיח פעולה אמינה.</p>
4	נורית פעילות רשת	<p>הנורית הכתומה מהבהבת כאשר המחשב משדר או קולט נתוני רשת. תעבורת רשת בנפח גבוה עשויה לגרום לנורית זו להיראות דולקת באופן קבוע.</p>
5	מחבר קו-יציאה (line-out)	<p>השתמש במחבר קו-היציאה הירוק כדי לחבר ערכת רמקולים עם מגבר.</p>
6	מחבר קו-כניסה (line-in)/מיקרופון	<p>השתמש במחבר קו הכניסה/מיקרופון הכחול והורוד כדי לחבר התקן הקלטה/השמעה, כגון רשמקול, נגן תקליטורים או מכשיר וידאו, או מיקרופון של מחשב אישי עבור כניסת קול או מוסיקה לתוכנית קול או טלפוניה.</p>
7	מחברי USB (5)	<p>השתמש במחברי ה-USB האחוריים עבור התקנים שנשארים מחוברים, כגון מדפסות ומקלדות.</p>
8	מחבר טורי	<p>חבר התקן טורי, כגון התקן נישא, למחבר הטורי.</p>
9	מחבר מסך	<p>אם ברשותך צג תואם DVI, חבר את כבל הצג למחבר הלבן בלוח האחורי.</p> <p>אם ברשותך צג VGA, עיין בסעיף "חיבור צג VGA" במדריך למשתמש של המחשב.</p>
10	מחבר חשמל	<p>המחבר עבור מתאם הזרם.</p>
11	נוריות אבחון	<p>לקבלת תיאור של קודי הנוריות אשר עשויים לסייע בפתרון בעיות במחשב, ראה "נוריות אבחון" בעמוד 418.</p>

הסרת מכסה המחשב

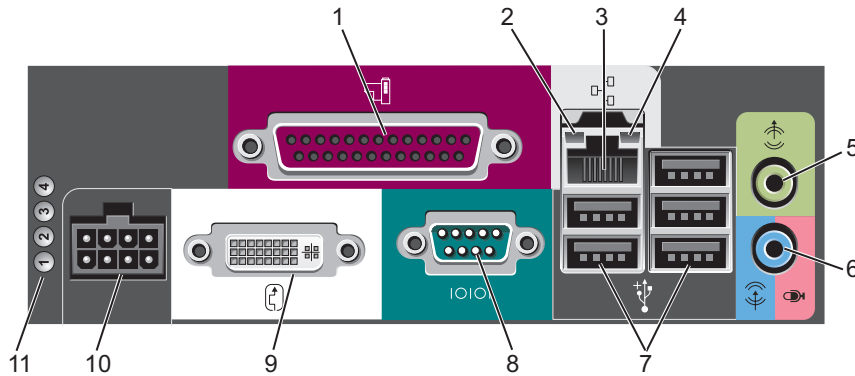
- ⚠ התראה:** לפני שתתחיל לבצע הליך כלשהו בסעיף זה, בצע את הוראות הבטיחות במדריך *מידע המוצר*.
- ⚠ התראה:** כדי למנוע התחשמלות, נתק תמיד את המחשב משקע החשמל לפני הסרת המכסה.

מחשב Form Factor קטן מאוד — מבט מאחור



- | | | |
|---|------------------------|--|
| 1 | נוריות אבחון | לקבלת תיאור של קודי הנוריות אשר עשויים לסייע בפתרון בעיות במחשב, ראה "נוריות אבחון" בעמוד 418. |
| 2 | כפתור שחרור מכסה המחשב | סובב כפתור זה בכיוון השעון, כדי להסיר את המכסה. |
| 3 | מחברי הלוח האחורי | המחברים עבור המחשב (ראה "מחשב Form Factor קטן מאוד — מחברי לוח אחורי" בעמוד 391). |
| 4 | מחבר חשמל | חבר את כבל החשמל. |
| 5 | פתחי אוורור | פתחי האוורור מסייעים למניעת התחממות יתר של המחשב. כדי להבטיח אוורור נאות, אין לחסום פתחי אוורור אלה. |

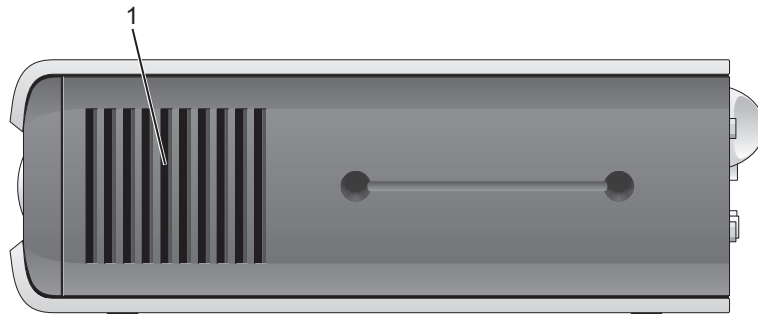
מחשב Form Factor קטן מאוד — מחברי לוח אחורי



- | | | |
|---|-------------|--|
| 1 | מחבר מקבילי | חבר התקן מקבילי, כגון מדפסת, למחבר המקבילי. אם ברשותך מדפסת USB, חבר אותה למחבר USB. |
|---|-------------|--|

<p>נורית ההפעלה מאירה ומהבהבת או נותרת קבועה כדי לציין מצבים שונים:</p> <ul style="list-style-type: none"> • לא מאירה — המחשב כבוי. • ירוק קבוע — המחשב נמצא במצב פעולה תקין. • ירוק מהבהב — המחשב נמצא במצב חיסכון בצריכת חשמל. • צהוב מהבהב או קבוע — עיין במדריך למשתמש המקוון. <p>כדי לצאת ממצב חיסכון בצריכת חשמל, לחץ על לחצן ההפעלה או השתמש בלוח המקשים או בעכבר, אם הוא מוגדר כהתקן הערה במנהל ההתקנים של Windows. לקבלת מידע נוסף אודות מצבי שינה ויציאה ממצב חיסכון בצריכת חשמל, עיין במדריך למשתמש המקוון.</p> <p>לקבלת תיאור של קודי הנוריות אשר עשויים לסייע בפתרון בעיות במחשב, ראה "נוריות מערכת" בעמוד 417.</p> <p>לחץ על לחצן זה כדי להפעיל את המחשב.</p>	<p>4 נורית הפעלה</p>
<p>שים לב: כדי למנוע איבוד נתונים, אל תשתמש בלחצן ההפעלה כדי לכבות את המחשב. במקום זאת, בצע כיבוי של מערכת ההפעלה. לקבלת מידע נוסף, ראה "לפני שתחיל" בעמוד 393.</p> <p>פתחי האוורור מסייעים למניעת התחממות יתר של המחשב. כדי להבטיח אוורור נאות, אין לחסום פתחי אוורור אלה.</p>	<p>5 לחצן הפעלה</p>
<p>בתא המודולים התקן כונן אופטי, כונן קשיח שני או כונן תקליטונים מסוג מודול D.</p> <p>נורית הגישה של הכונן הקשיח מאירה כאשר המחשב קורא נתונים מהכונן הקשיח או כותב אליו נתונים. הנורית עשויה להאיר גם כאשר התקנים, כגון נגן התקליטורים, פועלים.</p> <p>פתחי האוורור מסייעים למניעת התחממות יתר של המחשב. כדי להבטיח אוורור נאות, אין לחסום פתחי אוורור אלה.</p>	<p>6 פתחי אוורור</p>
<p>תא מודולים</p>	<p>7 תא מודולים</p>
<p>נורית גישה של הכונן הקשיח</p>	<p>8 נורית גישה של הכונן הקשיח</p>
<p>פתחי אוורור</p>	<p>9 פתחי אוורור</p>

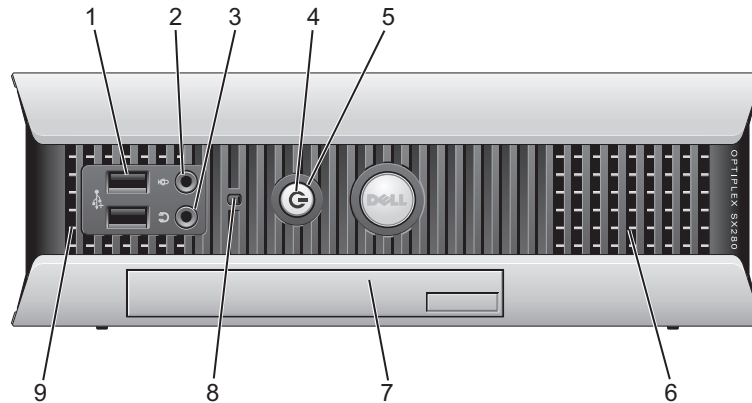
מחשב Form Factor קטן מאוד — מבט מהצד



<p>פתחי האוורור הממוקמים משני צדי המחשב, מסייעים למניעת התחממות יתר של המחשב. כדי להבטיח אוורור נאות, אין לחסום פתחי אוורור אלה.</p>	<p>1 פתחי אוורור</p>
--	----------------------

- 8 מחבר מסך
 חבר את הכבל מהצג תואם ה-VGA למחבר הכחול.
הערה: אם רכשת כרטיס גרפי אופציונלי, מחבר זה יהיה מכוסה במכסה. חבר את הצג למחבר שבכרטיס הגרפי. אל תסיר את המכסה.
- 9 מחבר טורי
הערה: אם נעשה שימוש בכרטיס גרפי התומך בשני צגים, השתמש בכבל ה-Y המצורף למחשב.
 חבר התקן טורי, כגון התקן נישא, ליציאה הטורית. הקצאות ברירת המחזל הן COM1 עבור מחבר טורי 1 ו-COM2 עבור מחבר טורי 2.
 לקבלת מידע נוסף, עיין במדריך למשתמש המקוון.

מחשב Form Factor קטן מאוד — מבט מלפנים

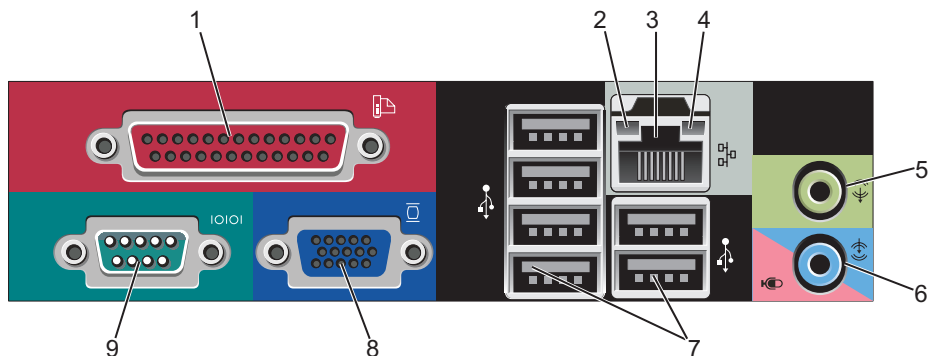


- 1 מחברי USB (2)
 השתמש במחברי ה-USB שבחזית המחשב עבור התקנים המחוברים לפעמים, כגון מוטות היגוי או מצלמות, או עבור התקני USB מהם ניתן לאתחל (לקבלת מידע נוסף אודות אתחול מהתקן USB, עיין במדריך למשתמש).
- 2 מחבר אוזניות
 מומלץ להשתמש במחברי ה-USB האחוריים עבור התקנים שנשארים מחוברים, כגון מדפסות ומקלדות.
- 3 מחבר מיקרופון
 השתמש במחבר האוזניות כדי לחבר אוזניות ורוב סוגי הרמקולים.
 השתמש במחבר המיקרופון כדי לחבר מיקרופון.

1	מחבר מקבילי	<p>החבר התקן מקבילי, כגון מדפסת, למחבר המקבילי. אם ברשותך מדפסת USB, חבר אותה למחבר USB.</p> <p>הערה: המחבר המקבילי המוכלל מבוטל אוטומטית אם המחשב מזהה כרטיס מותקן המכיל מחבר מקבילי שתצורתו מוגדרת לאותה כתובת. לקבלת מידע נוסף, עיין במדריך למשתמש המקוון.</p>
2	נורית תקינות קישור	<ul style="list-style-type: none"> • ירוק — קיים חיבור טוב בין רשת 10-Mbps לבין המחשב. • כתום — קיים חיבור טוב בין רשת 100-Mbps לבין המחשב. • צהוב — קיים חיבור טוב בין רשת 1-Gbps (או 1000-Mbps) לבין המחשב. • כבוי — המחשב אינו מזהה חיבור פיזי לרשת.
3	מחבר מתאם רשת	<p>כדי לחבר את המחשב לרשת או להתקן פס-רחב, חבר קצה אחד של כבל הרשת לשקע רשת או להתקן הרשת או הפס-הרחב. חבר את הקצה השני של כבל הרשת למחבר מתאם הרשת בלוח האחורי של המחשב. צליל נקישה מציין שכבל הרשת חובר כהלכה.</p> <p>הערה: אל תחבר כבל טלפון למחבר הרשת.</p> <p>במחשבים עם כרטיס מחבר רשת, השתמש במחבר שעל הכרטיס.</p>
4	נורית פעילות רשת	<p>מומלץ להשתמש בחיווט ובמחברים מקטגוריה 5 עבור הרשת. אם עליך להשתמש בחיווט מקטגוריה 3, אכוף מהירות רשת של 10 Mbps כדי להבטיח פעולה אמינה.</p> <p>הנורית צהובה מהבהבת כאשר המחשב משדר או קולט נתוני רשת. תעבורת רשת בנפח גבוה עשויה לגרום לנורית זו להיראות דולקת באופן קבוע.</p>
5	מחבר קו-יציאה (line-out)	<p>השתמש במחבר קו-היציאה הירוק (זמין במחשבים עם כרטיס קול מוכלל) כדי לחבר את רוב סוגי הרמקולים עם מגברים מוכללים.</p>
6	מחבר קו-כניסה (line-in)/מיקרופון	<p>השתמש במחבר קו הכניסה/מיקרופון הכחול והורוד (זמין במחשבים עם כרטיס קול מוכלל) כדי לחבר התקן הקלטה/השמעה, כגון רשמקול, נגן תקליטורים או מכשיר וידאו, או מיקרופון של מחשב אישי עבור כניסת קול או מוסיקה לתוכנית קול או טלפוניה.</p>
7	מחברי USB 2.0 (6)	<p>השתמש במחברי ה-USB האחוריים עבור התקנים שנשארים מחוברים, כגון מדפסות ומקלדות.</p>

- | | | |
|---|-------------------|---|
| 1 | חריצי כרטיסים | גישה למחברים עבור כל כרטיס PCI ו-PCI Express שמותקן. |
| 2 | מחברי הלוח האחורי | חבר התקנים טוריים, USB והתקנים אחרים למחברים המתאימים (ראה "מחשב Form Factor קטן — מחברי הלוח האחורי" בעמוד 387). |
| 3 | מחבר חשמל | חבר את כבל החשמל. |
| 4 | מתג בחירת מתח | המחשב מצויד במתג בחירת מתח ידני. |
- כדי לסייע במניעת נזק למחשב עם מתג בחירת מתח ידני, קבע את המתג למתח הקרוב ביותר למתח החילופין הזמין במקום.
- שים לב:** יש לכוון את מתג בחירת-המתח למצב 115 וולט, למרות שהמתח הזמין ביפן הוא 100 וולט.
- | | | |
|---|--------------------|---|
| 5 | טבעת של מנעול תליה | כמו כן, ודא שהצג וההתקנים המחוברים מתאימים להפעלה במתח הזמין במקום. |
| 6 | תפס שחרור מכסה | הכנס מנעול תלייה כדי לנעול את מכסה המחשב.
מאפשר לפתוח את מכסה המחשב. |

מחשב Form Factor קטן — מחברי לוח אחורי



נורית ההפעלה מאירה ומהבהבת או נותרת קבועה כדי לציין מצבי פעולה שונים:

- לא מאירה — המחשב כבוי.
- ירוק קבוע — המחשב נמצא במצב פעולה תקין.
- ירוק מהבהב — המחשב נמצא במצב חיסכון בצריכת חשמל.
- כתום מהבהב או קבוע — עיין במדריך למשתמש המקוון.

כדי לצאת ממצב חיסכון בצריכת חשמל, לחץ על לחצן ההפעלה או השתמש בלוח המקשים או בעכבר, אם הוא מוגדר כהתקן הערה במנהל ההתקנים של Windows. לקבלת מידע נוסף אודות מצבי שינה ויציאה ממצב חיסכון בצריכת חשמל, עיין במדריך למשתמש המקוון.

לקבלת תיאור של קודי הנוריות אשר עשויים לסייע בפתרון בעיות במחשב, ראה "נוריות מערכת" בעמוד 417.

השתמש במחבר האוזניות כדי לחבר אוזניות ורוב סוגי הרמקולים.

8 מחבר אוזניות

השתמש במחבר המיקרופון כדי לחבר מיקרופון.

9 מחבר מיקרופון

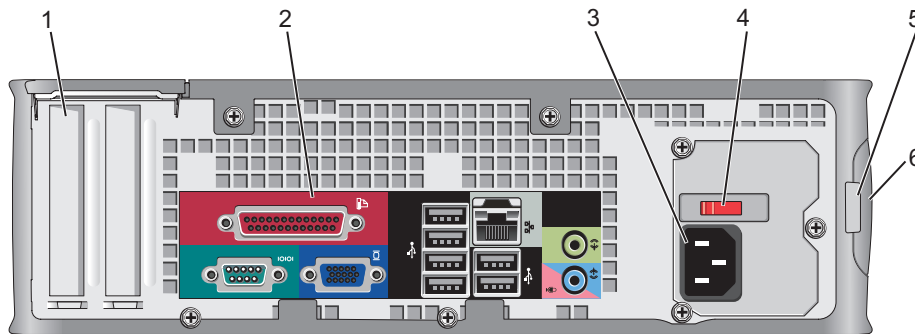
יכול להכיל כונן תקליטונים אופציונלי או קורא כרטיסי מדיה אופציונלי.

10 תא כונן 3.5 אינץ'

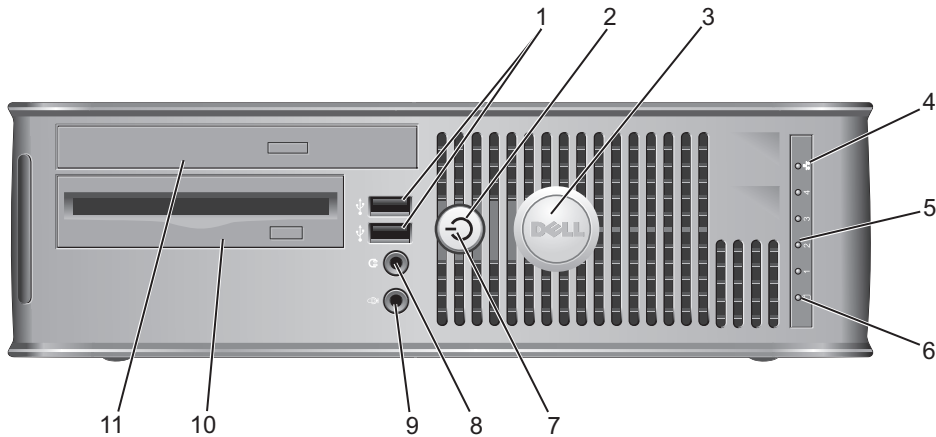
יכול להכיל כונן אופטי. הכנס תקליטור או תקליטור DVD (אם נתמך) לכונן זה.

11 תא כונן 5.25 אינץ'

מחשב Form Factor קטן — מבט מאחור



מחשב Form Factor קטן — מבט מלפנים

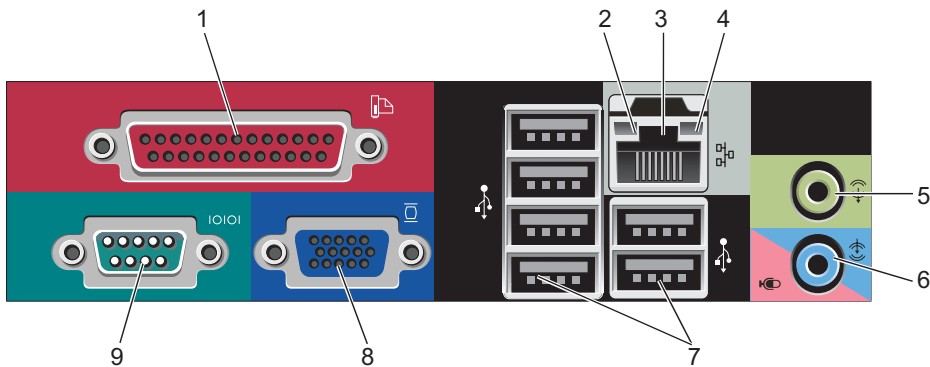


- | | |
|--|---|
| <p>השתמש במחברי ה-USB שבחזית המחשב עבור התקנים המחוברים לפעמים, כגון מוטות היגוי או מצלמות, או עבור התקני USB מהם ניתן לאתחל (לקבלת מידע נוסף אודות אתחול מהתקן USB, עיין במדריך למשתמש).</p> | <p>1 מחברי USB 2.0 (2)</p> |
| <p>מומלץ להשתמש במחברי ה-USB האחוריים עבור התקנים שנשארים מחוברים, כגון מדפסות ומקלדות.
להזין כדי להפעיל את המחשב.</p> | <p>2 לחצן הפעלה</p> |
| <p>שים לב: כדי למנוע איבוד נתונים, אל תשתמש בלחצן ההפעלה כדי לכבות את המחשב. במקום זאת, בצע כיבוי של מערכת ההפעלה. לקבלת מידע נוסף, ראה "לפני שתתחיל" בעמוד 393.</p> | |
| <p>שים לב: אם ACPI מאופשר במערכת ההפעלה, בעת לחיצה על לחצן ההפעלה המחשב יבצע כיבוי מערכת.</p> | |
| <p>ניתן לסובבו כדי שיתאים לכיוון המחשב. כדי לסובב את התג, הנה את אצבעותיך סביב החלק החיצוני שלו, לחץ בחוזקה וסובב אותו. נוסף על כך, באפשרותך לסובב את התג באמצעות החריץ הממוקם ליד תחתית התג.
מציינת שחיבור LAN (רשת מקומית) קיים.</p> | <p>3 תג Dell</p> |
| <p>השתמש בנוריות כדי לסייע בפתרון תקלות במחשב, בהתבסס על הקוד האבחוני. לקבלת מידע נוסף, ראה "נוריות אבחון" בעמוד 418.</p> | <p>4 נורית מחוון LAN</p> |
| <p>נורית זו מהבהבת כאשר מתבצעת גישה לכונן הקשיח.</p> | <p>5 נוריות אבחון
6 נורית פעילות של כונן קשיח</p> |

1	בר מקבילי	<p>חבר התקן מקבילי, כגון מדפסת, למחבר המקבילי. אם ברשותך מדפסת USB, חבר אותה למחבר USB.</p> <p>הערה: המחבר המקבילי המוכלל מבוטל אוטומטית אם המחשב מזהה כרטיס מותקן המכיל מחבר מקבילי שתצורתו מוגדרת לאותה כתובת. לקבלת מידע נוסף, עיין במדריך למשתמש המקוון.</p>
2	נורית תקינות קישור	<ul style="list-style-type: none"> • ירוק — קיים חיבור טוב בין רשת 10-Mbps לבין המחשב. • כתום — קיים חיבור טוב בין רשת 100-Mbps לבין המחשב. • צהוב — קיים חיבור טוב בין רשת 1-Gbps (או 1000-Mbps) לבין המחשב. • כבוי — המחשב אינו מזהה חיבור פיזי לרשת.
3	מחבר מתאם רשת	<p>כדי לחבר את המחשב לרשת או להתקן פס-רחב, חבר קצה אחד של כבל הרשת לשקע רשת או להתקן הרשת או הפס-הרחב. חבר את הקצה השני של כבל הרשת למחבר מתאם הרשת בלוח האחורי של המחשב. צליל נקישה מציין שכבל הרשת חובר כהלכה.</p> <p>הערה: אל תחבר כבל טלפון למחבר הרשת.</p> <p>במחשבים עם כרטיס מחבר רשת, השתמש במחבר שעל הכרטיס.</p> <p>מומלץ להשתמש בחיווט ובמחברים מקטגוריה 5 עבור הרשת. אם עליך להשתמש בחיווט מקטגוריה 3, אכוף מהירות רשת של 10 Mbps כדי להבטיח פעולה אמינה.</p>
4	נורית פעילות רשת	<p>נורית צהובה מהבהבת כאשר המחשב משדר או קולט נתוני רשת. תעבורת רשת בנפח גבוה עשויה לגרום לנורית זו להיראות דולקת באופן קבוע.</p>
5	מחבר קו-יציאה (line-out)	<p>השתמש במחבר קו-היציאה הירוק כדי לחבר את רוב סוגי הרמקולים עם מגברים מוכללים.</p>
6	מחבר קו-כניסה (line-in)/מיקרופון	<p>השתמש במחבר קו הכניסה/מיקרופון הכחול והורוד כדי לחבר התקן הקלטת/השמעה, כגון רשמקול, נגן תקליטורים או מכשיר וידאו, או מיקרופון של מחשב אישי עבור כניסת קול או מוסיקה לתוכנית קול או טלפוניה.</p>
7	מחברי USB 2.0 (6)	<p>השתמש במחברי ה-USB האחוריים עבור התקנים שנשארים מחוברים, כגון מדפסות ומקלדות.</p>
8	מחבר מסך	<p>חבר את הכבל מהצג תואם ה-VGA למחבר הכחול.</p> <p>הערה: אם רכשת כרטיס גרפי אופציונלי, מחבר זה יהיה מכוסה במכסה. חבר את הצג למחבר שבכרטיס הגרפי. אל תסיר את המכסה.</p> <p>הערה: אם נעשה שימוש בכרטיס גרפי התומך בשני צגים, השתמש בכבל ה-Y המצורף למחשב.</p>
9	מחבר טורי	<p>חבר התקן טורי, כגון התקן נישא, ליציאה הטורית. הקצאות ברירת המחדל הן COM1 עבור מחבר טורי 1 ו-COM2 עבור מחבר טורי 2.</p> <p>לקבלת מידע נוסף, עיין במדריך למשתמש המקוון.</p>

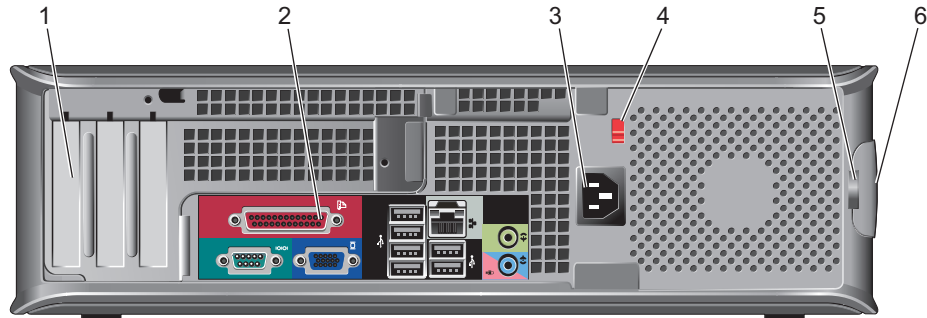
- | | | |
|---|-------------------|--|
| 1 | חריצי כרטיסים | גישה למחברים עבור כל כרטיס PCI ו- PCI Express שמותקן. |
| 2 | מחברי הלוח האחורי | חבר התקנים טוריים, USB והתקנים אחרים למחברים המתאימים (ראה "מחשב שולחני — מחברי הלוח האחורי" בעמוד 383). |
| 3 | מחבר חשמל | חבר את כבל החשמל. |
| 4 | מתג בחירת מתח | המחשב מצויד במתג בחירת מתח ידני. |
- כדי לסייע במניעת נזק למחשב עם מתג בחירת מתח ידני, קבע את המתג למתח הקרוב ביותר למתח החילופין הזמין במקום.
- שים לב:** יש לכוון את מתג בחירת-המתח למצב 115 וולט, למרות שהמתח הזמין ביפן הוא 100 וולט.
- | | | |
|---|---------------------|---|
| 5 | טבעת של מנעול תלייה | כמו כן, ודא שהצג וההתקנים המחוברים מתאימים להפעלה במתח הזמין במקום. |
| 6 | תפס שחרור מכסה | הכנס מנעול תלייה כדי לנעול את מכסה המחשב.
מאפשר לפתוח את מכסה המחשב. |

מחשב שולחני — מחברי הלוח האחורי

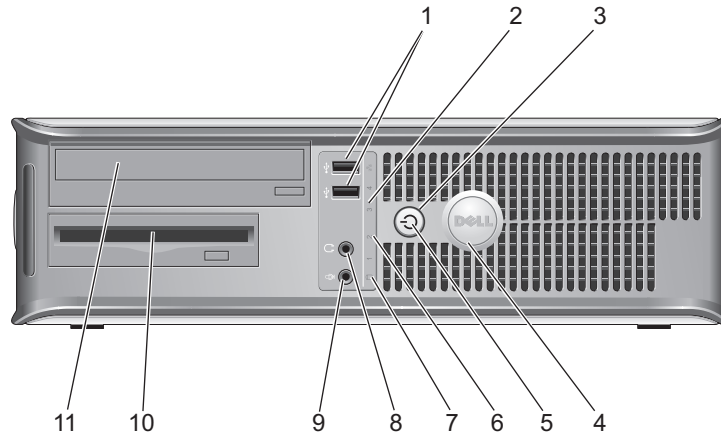


5	מנורית הפעלה	נורית ההפעלה מאירה ומהבהבת או נותרת קבועה כדי לציין מצבי פעולה שונים: <ul style="list-style-type: none"> • לא מאירה — המחשב כבוי. • ירוק קבוע — המחשב נמצא במצב פעולה תקין. • ירוק מהבהב — המחשב נמצא במצב חיסכון בצריכת חשמל. • כתום מהבהב או קבוע — עיין במדריך למשתמש המקוון. כדי לצאת ממצב חיסכון בצריכת חשמל, לחץ על לחצן ההפעלה או השתמש בלוח המקשים או בעכבר, אם הוא מוגדר כהתקן הערה במנהל ההתקנים של Windows. לקבלת מידע נוסף אודות מצבי שינה ויציאה ממצב חיסכון בצריכת חשמל, עיין במדריך למשתמש המקוון. לקבלת תיאור של קודי הנוריות אשר עשויים לסייע בפתרון בעיות במחשב, ראה "נוריות מערכת" בעמוד 417.
6	מנוריות אבחון	השתמש בנוריות כדי לסייע בפתרון תקלות במחשב, בהתבסס על הקוד האבחוני. לקבלת מידע נוסף, ראה "נוריות אבחון" בעמוד 418.
7	מנורית פעילות של כונן קשיח	נורית זו מהבהבת כאשר מתבצעת גישה לכונן הקשיח.
8	מחבר אוזניות	השתמש במחבר האוזניות כדי לחבר אוזניות ורוב סוגי הרמקולים.
9	מחבר מיקרופון	השתמש במחבר המיקרופון כדי לחבר מיקרופון.
10	תא כונן 3.5 אינץ'	יכול להכיל כונן תקליטורים אופציונלי או קורא כרטיסי מדיה אופציונלי.
11	תא כונן 5.25 אינץ'	יכול להכיל כונן אופטי. הכנס תקליטור או תקליטור DVD (אם נתמך) לכונן זה.

מחשב שולחני — מבט מאחור



מחשב שולחני — מבט מלפנים



השתמש במחברי ה-USB שבחזית המחשב עבור התקנים המחוברים לפעמים, כגון מוסות היגוי או מצלמות, או עבור התקני USB מהם ניתן לאתחל (לקבלת מידע נוסף אודות אתחול מהתקן USB, עיין במדריך למשתמש).

מומלץ להשתמש במחברי ה-USB האחוריים עבור התקנים שנשארים מחוברים, כגון מדפסות ומקלדות.

נורית זו מציינת שחיבור LAN (רשת מקומית) קיים. לחץ על לחצן זה כדי להפעיל את המחשב.

שים לב: כדי למנוע איבוד נתונים, אל תשתמש בלחצן ההפעלה כדי לכבות את המחשב. במקום זאת, בצע כיבוי של מערכת ההפעלה. לקבלת מידע נוסף, ראה "לפני שתתחיל" בעמוד 393.

שים לב: אם ACPI מאופשר במערכת ההפעלה, בעת לחיצה על לחצן ההפעלה המחשב יבצע כיבוי מערכת.

ניתן לסובב תג זה כדי שיתאים לכיוון המחשב. כדי לסובב את התג, הגח את אצבעותיך סביב החלק החיצוני שלו, לחץ בחוזקה וסובב אותו. נוסף על כך, באפשרותך לסובב את התג באמצעות החריץ הממוקם ליד תחתית התג.

1 מחברי USB 2.0 (2)

2 נורית מחוון LAN

3 לחצן הפעלה

4 תג Dell

<p>כדי לחבר את המחשב לרשת או להתקן פס-רחב, חבר קצה אחד של כבל הרשת לשקע רשת או להתקן הרשת או הפס-הרחב. חבר את הקצה השני של כבל הרשת למחבר מתאם הרשת בלוח האחורי של המחשב. צליל נקישה מציין שכבל הרשת חובר כהלכה.</p> <p>הערה: אל תחבר כבל טלפון למחבר הרשת.</p>	<p>3 מחבר מתאם רשת</p>
<p>במחשבים עם כרטיס מחבר רשת, השתמש במחבר שעל הכרטיס.</p> <p>מומלץ להשתמש בחיווט ובמחברים מקטגוריה 5 עבור הרשת. אם עליך להשתמש בחיווט מקטגוריה 3, אכוף מהירות רשת של 10 Mbps כדי להבטיח פעולה אמינה.</p>	
<p>נורית צהובה מהבהבת כאשר המחשב משדר או קולט נתוני רשת. תעבורת רשת בנפח גבוה עשויה לגרום לנורית זו להיראות דולקת באופן קבוע.</p> <p>השתמש במחבר קו-היציאה הירוק כדי לחבר את רוב סוגי הרמקולים עם מגברים מוכללים.</p>	<p>4 נורית פעילות רשת</p> <p>5 מחבר קו-יציאה (line-out)</p>
<p>השתמש במחבר קו הכניסה/מיקרופון הכחול והורוד כדי לחבר התקן הקלטה/השמעה, כגון רשמקול, נגן תקליטורים או מכשיר וידאו, או מיקרופון של מחשב אישי עבור כניסת קול או מוסיקה לתוכנית קול או טלפוניה.</p>	<p>6 מחבר קו-כניסה (line-in)/מיקרופון</p>
<p>השתמש במחברי ה-USB האחוריים עבור התקנים שנשארים מחוברים, כגון מדפסות ומקלדות.</p>	<p>7 מחברי USB 2.0 (6)</p>
<p>חבר את הכבל מהצג תואם ה-VGA למחבר הכחול.</p> <p>הערה: אם רכשת כרטיס גרפי אופציונלי, מחבר זה יהיה מכוסה במכסה. חבר את הצג למחבר שבכרטיס הגרפי. אל תסיר את המכסה.</p> <p>הערה: אם נעשה שימוש בכרטיס גרפי התומך בשני צגים, השתמש בכבל ה-Y המצורף למחשב.</p>	<p>8 מחבר מסך</p>
<p>חבר התקן טורי, כגון התקן נישא, ליציאה הטורית. הקצאות ברירת המחדל הן COM1 עבור מחבר טורי 1 ו- COM2 עבור מחבר טורי 2.</p> <p>לקבלת מידע נוסף, עיין במדריך למשתמש המקוון.</p>	<p>9 מחבר טורי</p>

המחשב מצויד במתג בחירת מתח ידני.

כדי לסייע במניעת נזק למחשב עם מתג בחירת מתח ידני, קבע את המתג למתח הקרוב ביותר למתח החילופין הזמין במקום.

שים לב: יש לכוון את מתג בחירת-המתח למצב 115 וולט, למרות שהמתח הזמין ביפן הוא 100 וולט.

כמו כן, ודא שהצג וההתקנים המחוברים מתאימים להפעלה במתח הזמין במקום. חבר את כבל החשמל.

4 מחבר חשמל

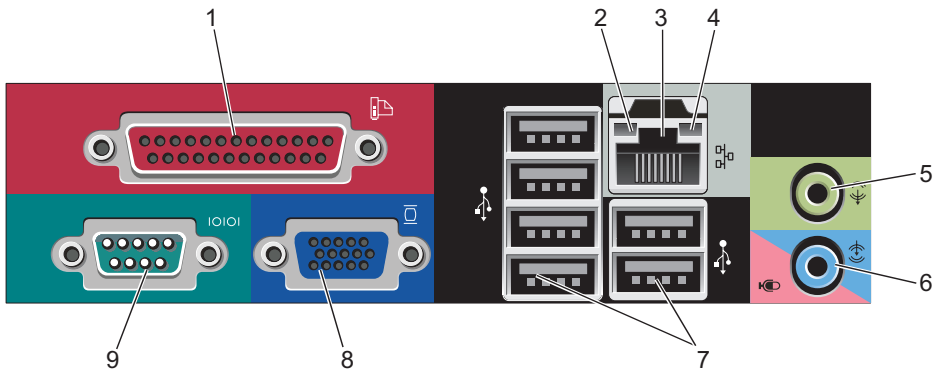
חבר התקנים טוריים, USB והתקנים אחרים למחברים המתאימים (ראה "מחשב Mini Tower — מחברי הלוח האחורי" בעמוד 379).

5 מחברי הלוח האחורי

גישה למחברים עבור כל כרטיס PCI ו-PCI Express שמותקן.

6 חריצי כרטיסים

מחשב Mini Tower — מחברי הלוח האחורי



1 מחבר מקבילי

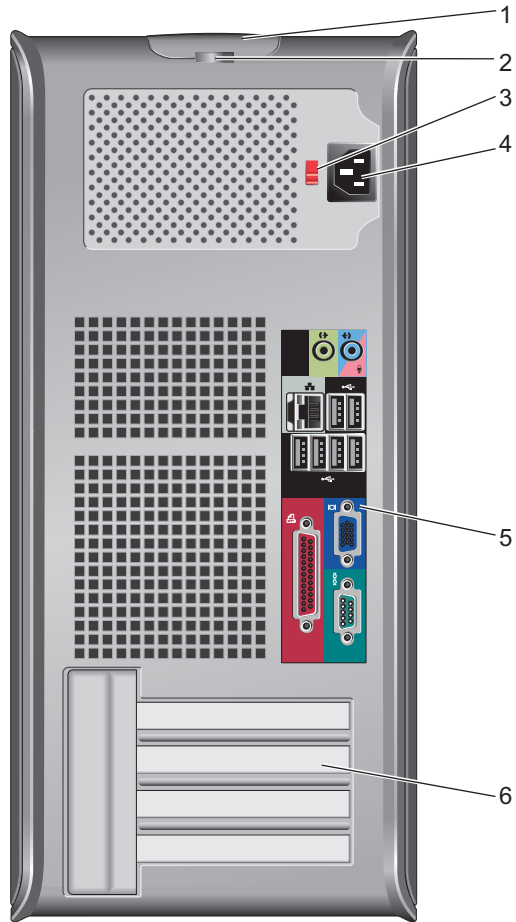
חבר התקן מקבילי, כגון מדפסת, למחבר המקבילי. אם ברשותך מדפסת USB, חבר אותה למחבר USB.

הערה: המחבר המקבילי המוכלל מבוטל אוטומטית אם המחשב מזהה כרטיס מותקן המכיל מחבר מקבילי שתצורתו מוגדרת לאותה כתובת. לקבלת מידע נוסף, עיין במדריך למשתמש המקוון.

2 נורית תקינות קישור

- ירוק — קיים חיבור טוב בין רשת 10-Mbps לבין המחשב.
- כתום — קיים חיבור טוב בין רשת 100-Mbps לבין המחשב.
- צהוב — קיים חיבור טוב בין רשת 1-Gbps (או 1000-Mbps) לבין המחשב.
- כבוי — המחשב אינו מזהה חיבור פיזי לרשת.

מחשב Mini Tower — מבט מאחור



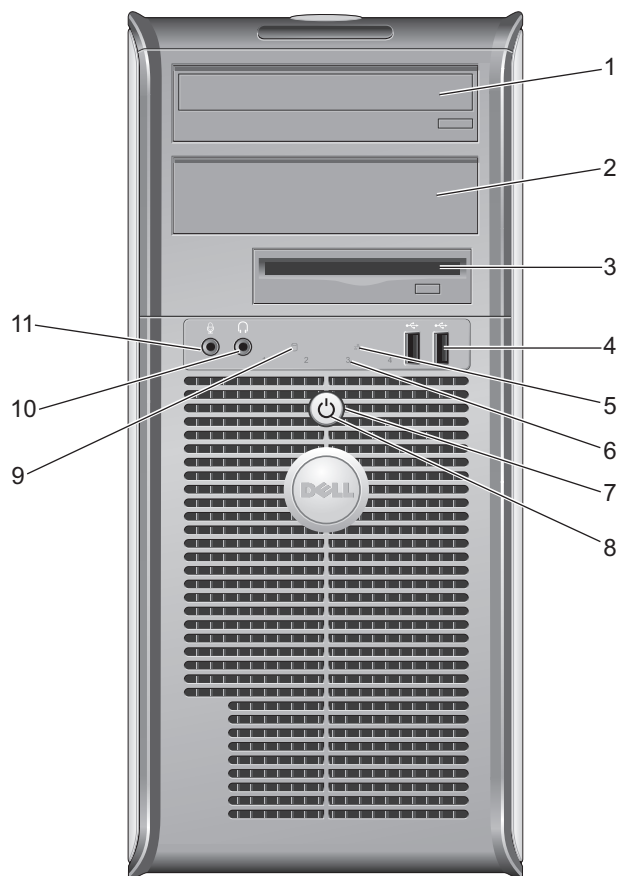
תפס זה מאפשר לפתוח את מכסה המחשב.
 הכנס מנעול תלייה כדי לנעול את מכסה המחשב.

1 תפס שחרור מכסה
 2 טבעת של מנעול תלייה

1	תא כונן 5.25 אינץ'	יכול להכיל כונן אופטי. הכנס תקליטור או תקליטור DVD (אם נתמך) לכונן זה.
2	תא כונן 5.25 אינץ'	יכול להכיל כונן אופטי. הכנס תקליטור או תקליטור DVD (אם נתמך) לכונן זה.
3	תא כונן 3.5 אינץ'	יכול להכיל כונן תקליטונים אופציונלי או קורא כרטיסי מדיה אופציונלי.
4	מחברי USB 2.0 (2)	השתמש במחברי ה-USB הקדמיים עבור התקנים המחוברים לפעמים, כגון מוטות היגוי או מצלמות, או עבור התקני USB מהם ניתן לאתחל (לקבלת מידע נוסף אודות אתחול מהתקן USB, עיין במדריך למשתמש).
		מומלץ להשתמש במחברי ה-USB האחוריים עבור התקנים שנשארים מחוברים, כגון מדפסות ומקלדות.
5	נורית מחוון LAN	נורית זו מציינת שחיבור LAN (רשת מקומית) קיים
6	ננוריות אבחון	השתמש בנוריות כדי לסייע בפתרון תקלות במחשב, בהתבסס על הקוד האבחוני. לקבלת מידע נוסף, ראה "נוריות אבחון" בעמוד 418.
7	לחצן הפעלה	לחץ על לחצן זה כדי להפעיל את המחשב.
		שים לב: כדי למנוע איבוד נתונים, אל תשתמש בלחצן ההפעלה כדי לכבות את המחשב. במקום זאת, בצע כיבוי של מערכת ההפעלה לקבלת מידע נוסף, ראה "לפני שתתחיל" בעמוד 393.
		שים לב: שים לב: אם ACPI מאופשר במערכת ההפעלה, בעת לחיצה על לחצן ההפעלה המחשב יבצע כיבוי מערכת.
8	נורית הפעלה	נורית ההפעלה מאירה ומהבהבת או נותרת קבועה כדי לציין מצבי פעולה שונים: <ul style="list-style-type: none"> • לא מאירה — המחשב כבוי. • ירוק קבוע — המחשב נמצא במצב פעולה תקין. • ירוק מהבהב — המחשב נמצא במצב חיסכון בצריכת חשמל. • כתום מהבהב או קבוע — עיין במדריך למשתמש המקוון. <p>כדי לצאת ממצב חיסכון בצריכת חשמל, לחץ על לחצן ההפעלה או השתמש בלוח המקשים או בעכבר, אם הוא מוגדר כהתקן הערה במנהל ההתקנים של Windows. לקבלת מידע נוסף אודות מצבי שינה ויציאה ממצב חיסכון בצריכת חשמל, עיין במדריך למשתמש המקוון.</p> <p>לקבלת תיאור של קודי הנוריות אשר עשויים לסייע בפתרון בעיות במחשב, ראה "נוריות מערכת" בעמוד 417.</p>
9	נורית פעילות של כונן קשיח	נורית זו מהבהבת כאשר מתבצעת גישה לכונן הקשיח.
10	מחבר אוזניות	השתמש במחבר האוזניות כדי לחבר אוזניות ורוב סוגי הרמקולים.
11	מחבר מיקרופון	השתמש במחבר המיקרופון כדי לחבר מיקרופון.

תצוגות מערכת

מחשב Mini Tower — מבט מלפנים



תג שירות ומפתח מוצר של Microsoft® Windows®

תוויות אלה נמצאות על המחשב.



- השתמש בתג השירות כדי לזהות את המחשב שברשותך בזמן השימוש ב-**support.dell.com** או פנייה לתמיכה.

- הזן את קוד השירות המהיר כדי לנתב את השיחה בעת פנייה לתמיכה.

אתר האינטרנט של התמיכה של Dell — support.dell.com

הערה: בחר את האזור או המגזר העסקי שלך, כדי להציג את אתר התמיכה המתאים.

כדי להוריד את תוכנת מערכת מחשב שולחני:

- 1 עבור אל **support.dell.com**, בחר את האזור או המגזר העסקי שלך ולאחר מכן הזן את תג השירות.

- 2 בחר **Drivers & Downloads** (הורדות ומנהלי התקנים) ולאחר מכן לחץ על **Go**.

- 3 לחץ על מערכת ההפעלה שברשותך ולאחר מכן חפש את מילות המפתח *Notebook SystemDesktop* (תוכנת מערכת מחשב שולחני).

הערה: ממשק המשתמש של **support.dell.com** עשוי להשתנות בהתאם לאפשרויות שתבחר.

- תג שירות וקוד שירות מהיר
- תווית מפתח מוצר של Microsoft Windows

- פתרונות — רמזים ועצות לפתרון בעיות, מאמרים של טכנאים, קורסים מקוונים ושאלות נפוצות
- קהילה — דיון מקוון עם לקוחות אחרים של Dell
- שדרוגים — מידע אודות שדרוגים עבור רכיבים, כגון הזיכרון, הכונן הקשיח ומערכת ההפעלה
- טיפול בלקוחות — מידע ליצירת קשר, פנייה לשירות ומצב הזמנה, ומידע אודות אחריות ותיקונים
- שירות ותמיכה — מצב פנייה לשירות, היסטוריית תמיכה, חוזה שירות, ודיונים מקוונים עם תמיכה
- חומר עזר — תיעוד מחשב, פרטים על תצורת המחשב, מפרטי מוצרים וסקירות טכנויות
- הורדות — מנהלי התקנים מאושרים, תיקונים ועדכוני תוכנה
- תוכנת מערכת שולחנית (DSS) — אם תתקין מחדש את מערכת ההפעלה במחשב, עליך להתקין מחדש גם את תוכנית השירות DSS. תוכנית השירות DSS מזהה אוטומטית את המחשב ומערכת ההפעלה ומתקינה את העדכונים המתאימים לתצורת המחשב, מספקת עדכונים קריטיים למערכת ההפעלה ותמיכה בכוני תקליטונים USB בגודל 3.5 אינץ' של Dell™, מעבדי Intel®, כוננים אופטיים והתקני USB. תוכנית השירות DSS נחוצה לפעולתו התקינה של מחשב Dell שברשותך.

- מידע אודות אחריות
- תנאים והתניות (ארה"ב בלבד)
- הוראות בטיחות
- מידע תקינה
- מידע ארגונומי
- הסכם רשיון למשתמש קצה

מדריך מידע מוצר של Dell™



• כיצד להתקין מחדש את מערכת ההפעלה

תתקליטור מערכת ההפעלה

הערה: תקליטור מערכת ההפעלה עשוי להיות אופציונלי ולא להיות מצורף למחשב שברשותך.

מערכת ההפעלה כבר מותקנת במחשב. כדי להתקין מחדש את מערכת ההפעלה, השתמש בתקליטור מערכת ההפעלה (ראה "התקנה מחדש של Microsoft Windows XP" בעמוד 423).

לאחר התקנה מחדש של מערכת ההפעלה, השתמש בתקליטור האופציונלי *Drivers and Utilities (ResourceCD)* כדי להתקין מחדש מנהלי התקנים עבור ההתקנים המצורפים למחשב. לקבלת



מידע נוסף, ראה "תקליטור Drivers and Utilities (מנהלי התקנים ותוכניות שירות) (ResourceCD)" בעמוד 373.

תוויית מפתח המוצר של מערכת ההפעלה ממוקמת על המחשב (ראה "תג שירות ומפתח מוצר של Microsoft® Windows®" בעמוד 375).

הערה: צבע תקליטור מערכת ההפעלה משתנה בהתאם למערכת ההפעלה שהזמנת.

- כיצד להשתמש ב-Windows XP
- כיצד לעבוד עם תוכניות וקבצים
- כיצד להתאים אישית את שולחן העבודה

מרכז העזרה והתמיכה של Windows

1 לחץ על **Start** (התחל) ← **Help and Support** (עזרה ותמיכה).

2 הקלד מילה או צירוף מילים המתארים את הבעיה בה נתקלת ולחץ על סמל החץ.


3 לחץ על הנושא המתאר את הבעיה.

4 בצע את ההוראות המופיעות על המסך.

איתור מידע

הערה: תכונות או מדיה מסוימים עשויים להיות אופציונליים ולא להיות מצורפים למחשב שברשותך. ייתכן שתכונות או מדיה מסוימים לא יהיו זמינים בארצות מסוימות.


הערה: ייתכן שמידע נוסף יצורף למחשב.

מה אתה מחפש?	אתר זאת כאן
<ul style="list-style-type: none"> תוכנית אבחון עבור המחשב מנהלי התקנים עבור המחשב תיעוד המחשב תיעוד ההתקן שברשותי תוכנת מערכת שולחנית (Desktop System Software) (DSS - 	<p>תקליטור Drivers and Utilities (מנהלי התקנים ותוכניות שירות) (ResourceCD)</p> <p>הערה: התקליטור <i>Drivers and Utilities</i> עשוי להיות אופציונלי ולא להיות מצורף למחשב שברשותך.</p> <p>התיעוד ומנהלי התקנים כבר מותקנים במחשב. באפשרותך להשתמש בתקליטור זה כדי להתקין מחדש מנהלי התקנים (ראה "שימוש בתקליטור מנהלי התקנים ותוכניות השירות" בעמוד 426), להפעיל את תוכנית האבחון של Dell (ראה "תוכנית האבחון של Dell" בעמוד 414), או לגשת לתיעוד.</p>
	
	<p>התקליטור עשוי לכלול קובצי Readme המספקים מידע של הרגע האחרון לגבי שינויים טכניים במחשב או חומר טכני מתקדם לטכנאים או למשתמשים מנוסים.</p> <p>הערה: עדכונים למנהלי התקנים ותיעוד ניתן למצוא באתר support.dell.com.</p>
<ul style="list-style-type: none"> כיצד להסיר ולהחליף חלקים מפרט כיצד להגדיר תצורה של הגדרות מערכת כיצד לפתור בעיות 	<p>מדריך למשתמש של Dell™ OptiPlex™</p> <p>מרכז העזרה והתמיכה של <i>Microsoft Windows XP</i></p> <p>1 לחץ על Start (התחל) ← Help and Support Dell User and System Guides (מדריכים למשתמש ולמערכת) ← System Guides (מדריכי מערכת).</p> <p>2 לחץ על המדריך למשתמש עבור המחשב שלך.</p> <p>המדריך למשתמש זמין גם בתקליטור האופציונלי <i>Drivers and Utilities</i>.</p>

414	פתרון בעיות.....
414	תוכנית האבחון של Dell
417	נוריות מערכת.....
420	קודי צפוף.....
421	פתרון בעיות אי-תאימות של תוכנה וחומרה
422	שימוש בשחזור המערכת של Microsoft Windows XP
423	התקנה מחדש של Microsoft Windows XP
426	שימוש בתקליטור מנהלי ההתקנים ותוכניות השירות
427	אינדקס.....

373	איתור מידע
376	תצוגות מערכת
376	מחשב Mini Tower — מבט מלפנים
378	מחשב Mini Tower — מבט מאחור
379	מחשב Mini Tower — מחברי הלוח האחורי
381	מחשב שולחני — מבט מלפנים
382	מחשב שולחני — מבט מאחור
383	מחשב שולחני — מחברי הלוח האחורי
385	מחשב Form Factor קטן — מבט מלפנים
386	מחשב Form Factor קטן — מבט מאחור
387	מחשב Form Factor קטן — מחברי לוח אחורי
389	מחשב Form Factor קטן מאוד — מבט מלפנים
390	מחשב Form Factor קטן מאוד — מבט מהצד
391	מחשב Form Factor קטן מאוד — מבט מאחור
391	מחשב Form Factor קטן מאוד — מחברי לוח אחורי
392	הסרת מכסה המחשב
393	לפני שתתחיל
394	מחשב Mini Tower
395	מחשב שולחני
396	מחשב Form Factor קטן
398	מחשב Form Factor קטן מאוד
400	בתוך המחשב
400	מחשב Mini Tower
403	מחשב שולחני
406	מחשב Form Factor קטן
409	מחשב Form Factor קטן מאוד

הערות, הודעות והתראות

 **הערה:** "הערה" מציינת מידע חשוב המסייע להשתמש במחשב ביתר יעילות.

 **הודעה:** "שים לב" מציינ נזק אפשרי לחומרה או אובדן נתונים, ומסביר כיצד ניתן למנוע את הבעיה.

 **התראה:** "התראה" מציינת אפשרות של נזק לרכוש, פגיעה גופנית או מוות.

אם רכשת מחשב Dell™ n Series, כל התייחסות במסמך זה למערכות ההפעלה Microsoft® Windows® אינה ישימה.

המידע במסמך זה עשוי להשתנות ללא הודעה.
© 2006 Dell Inc. כל הזכויות שמורות.

חל איסור מוחלט על העתקה מכל סוג ללא הרשאה בכתב מ-Dell Inc.

סימנים מסחריים שבשימוש בטקסט זה: Dell, הלוגו DELL, Inspiron, Dell Precision, Dimension, OptiPlex, Latitude, PowerEdge, PowerVault, PowerApp ו-Dell OpenManage הם סימנים מסחריים של Dell Inc; Intel, Pentium ו-Celeron הם סימנים מסחריים רשומים של Intel Corporation ו-Microsoft ו-Windows הם סימנים מסחריים רשומים של Microsoft Corporation.

ייתכן שייעשה שימוש בסימנים מסחריים ובשמות מסחריים אחרים במסמך זה כדי להתייחס לישויות הטוענות לבעלות על הסימנים והשמות, או למוצרים שלהן. Dell Inc מוותרת על כל חלק קנייני בסימנים מסחריים ושמות מסחריים פרט לאלה שבבעלותה.

דגמים DCCY ו-DCTR, DCNE, DCSM.

מהדורה A00

מספר חלק FH898

אוגוסט 2006

Dell™ OptiPlex™ 745

מדריך עזר מהיר

דגמים DCCY - DCTR, DCNE, DCSM